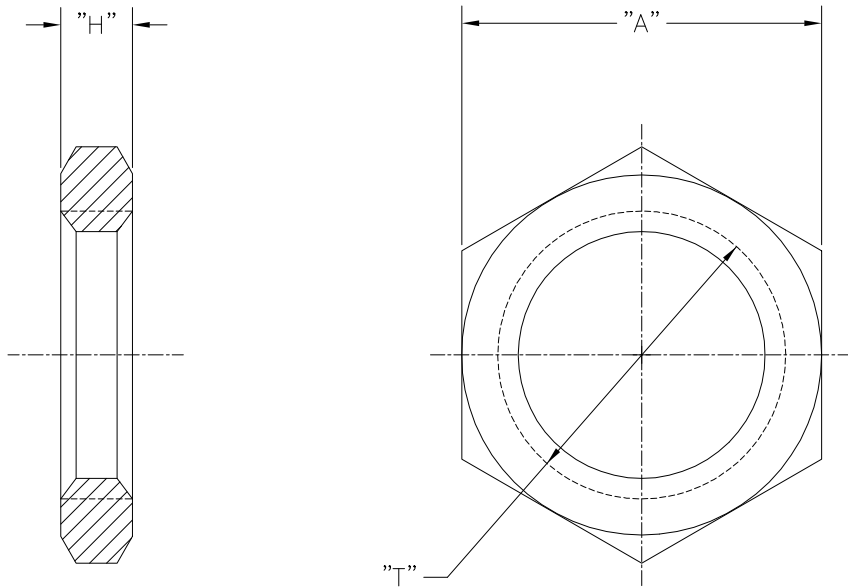


THIS DRAWING IS UNPUBLISHED. RELEASED FOR PUBLICATION
 © COPYRIGHT - TE Connectivity Ltd. ALL RIGHTS RESERVED.

REVISIONS				
P	LTR	DESCRIPTION	DATE	OWN APVD
	A3	ECO-19-005001	26APR2019	JZ RS



- 1 SEE MATERIAL TABLE
- 2 UNLESS OTHERWISE SPECIFIED HOLES, SLOTS AND DIAMETERS SHALL BE PARALLEL AND CONCENTRIC TO [-A-] WITHIN .003 T.I.R.
- 3 REMOVE BURRS AND SHARP CORNERS .005 MAX
- 4 ALL DIMENSIONS ARE BEFORE PLATING
- 5 GOLD PLATE .000008 MIN OVER NICKEL PLATE
- 6 PASSIVATE PER 112-230-2
- 7 GOLD PLATE .000050 MIN OVER NICKEL PLATE
- 8 BRIGHT NICKEL PLATE .000100 MIN
- 9 GOLD PLATE .000050 MIN
- 10 WHITE BRONZE PLATE
- 11 SILVER PLATE
- 12 GOLD PLATE .000050 MIN OVER NICKEL PLATE
- 13 GOLD PLATE .000008 MIN THK

TYPE	MATERIAL
A	100-222, SST, COND A
B	100-110, BRASS, 1/2 HARD
C	100-813, BECU, 1/2 HD
D	STAINLESS STEEL, TYPE 316

THIS DRAWING IS A CONTROLLED DOCUMENT.

DWN R. FAWSON 25MAR2003	CHK RMF 25MAR03	APVD RMF 25MAR03	NAME TE TE Connectivity Ltd.
DIMENSIONS: INCHES			PRODUCT SPEC
TOLERANCES UNLESS OTHERWISE SPECIFIED:			APPLICATION SPEC
0 PLC ± -	1 PLC ± -	2 PLC ± -	WEIGHT -
3 PLC ± .010	4 PLC ± -	ANGLES ± 1'	SIZE A2
MATERIAL -	FINISH -	CAGE CODE 00779	DRAWING NO C=1403077
CUSTOMER DRAWING		SCALE 1:1	SHEET 1 of 2

RESTRICTED TO REV A3

1403077


THIS DRAWING IS UNPUBLISHED. RELEASED FOR PUBLICATION
 © COPYRIGHT - TE Connectivity Ltd. ALL RIGHTS RESERVED.

REVISIONS					
P	LTR	DESCRIPTION	DATE	OWN	APVD
-	-	SEE SHEET 1	-	-	-

.312	.060	.250-36 UNS-2B	B	\triangle_{10}	- - -	4-1403077-2
.312	.060	.250-36 UNS-2B	B	\triangle_{13}	- - -	4-1403077-1
.437	.060	.375-32 UNEF-2B	B	\triangle_{8}	- - -	3-1403077-9
.437	.060	.375-32 UNEF-2B	B	\triangle_{13}	- - -	3-1403077-8
.250	.050	.190-32 UNF-2B	B	\triangle_{8}	- - -	3-1403077-6
.250	.050	.190-32 UNF-2B	B	\triangle_{13}	- - -	3-1403077-5
.250	.050	.190-32 UNF-2B	A	\triangle_{5}	- - -	3-1403077-3

.312	.060	.250-36 UNS-2B	B	\triangle_{13}	- - -	8-1403077-6	.375	.060	.250-36 UNS-2B	A	\triangle_{6}	- - -	3-1403077-1
.625	.060	.500-28 UNEF-2B	B	\triangle_{8}	- - -	7-1403077-8	.375	.060	.250-36 UNS-2B	A	\triangle_{5}	- - -	3-1403077-0
.250	.050	.190-48 UNS-2B	B	\triangle_{6}	- - -	7-1403077-6	.187	.054	.138-40 UNF-2B	A	\triangle_{5}	- - -	2-1403077-8
.250	.050	.190-48 UNS-2B	A	\triangle_{8}	- - -	7-1403077-5	.250	.060	.190-32 UNF-2B	B	\triangle_{8}	- - -	2-1403077-6
.234	.056	.190-56 UNS-2B	A	\triangle_{8}	- - -	7-1403077-3	.250	.060	.190-32 UNF-2B	B	\triangle_{13}	- - -	2-1403077-5
.312	.078	.250-36 UNS-2B	A	\triangle_{6}	- - -	7-1403077-1	.750	.125	.625-24 UNEF-2B	B	\triangle_{11}	- - -	2-1403077-4
.234	.056	.190-56 UNS-2B	B	\triangle_{9}	- - -	6-1403077-9	.750	.125	.625-24 UNEF-2B	B	\triangle_{10}	- - -	2-1403077-2
.250	.050	.190-48 UNS-2B	A	\triangle_{12}	- - -	6-1403077-8	.750	.125	.625-24 UNEF-2B	B	\triangle_{8}	- - -	2-1403077-1
.375	.098	.320-72 UN-2BSPL	D	\triangle_{6}	- - -	6-1403077-6	.625	.109	.500-28 UNEF-2B	B	\triangle_{8}	- - -	1-1403077-9
.437	.098	.358-72 UN-2BSPL	D	\triangle_{6}	- - -	6-1403077-4	.625	.109	.500-28 UNEF-2B	B	\triangle_{9}	- - -	1-1403077-8
.250	.060	.190-36 UNS-2B	B	\triangle_{8}	- - -	6-1403077-2	.750	.125	.625-24 UNEF-2B	A	\triangle_{6}	- - -	1-1403077-6
.250	.060	.190-36 UNS-2B	B	\triangle_{9}	- - -	6-1403077-1	.750	.125	.625-24 UNEF-2B	A	\triangle_{5}	- - -	1-1403077-5
.375	.060	.312-48 UNS-2B	A	\triangle_{6}	- - -	5-1403077-9	.625	.109	.500-28 UNEF-2B	A	\triangle_{6}	- - -	1-1403077-3
.625	.107±.007	.500-32 UN-2B	B	\triangle_{8}	- - -	5-1403077-7	.375	.060	.312-32 UNEF-2B	A	\triangle_{8}	- - -	1-1403077-1
.875	.125	.625-24 UNEF-2B	A	\triangle_{6}	- - -	5-1403077-5	.375	.060	.312-32 UNEF-2B	A	\triangle_{6}	- - -	1-1403077-0
.437	.060	.375-40 UNEF-2B	A	\triangle_{6}	- - -	5-1403077-3	.375	.060	.312-32 UNEF-2B	A	\triangle_{5}	- - -	1403077-9
.437	.060	.375-40 UNEF-2B	A	\triangle_{5}	- - -	5-1403077-2	.250	.060	.190-36 UNS-2B	A	\triangle_{7}	- - -	1403077-7
.375	.125	.190-32 UNS-2B	A	\triangle_{6}	- - -	5-1403077-0	.250	.060	.190-36 UNS-2B	A	\triangle_{6}	- - -	1403077-6
.562	.093	.4375-28 UNEF-2B	A	\triangle_{6}	- - -	4-1403077-8	.250	.060	.190-36 UNS-2B	A	\triangle_{5}	- - -	1403077-5
.562	.093	.4375-28 UNEF-2B	A	\triangle_{5}	- - -	4-1403077-7	.312	.060	.250-36 UNS-2B	A	\triangle_{7}	- - -	1403077-3
.312	.050	.250-36 UNS-2B	A	\triangle_{7}	- - -	4-1403077-5	.312	.060	.250-36 UNS-2B	A	\triangle_{6}	- - -	1403077-2
.312	.050	.250-36 UNS-2B	A	\triangle_{5}	- - -	4-1403077-4	.312	.060	.250-36 UNS-2B	A	\triangle_{5}	- - -	1403077-1
DIM "A"	DIM "H"	THREAD "T"	MATERIAL	FINISH	PLATING	AMP PART NO.	DIM "A"	DIM "H"	THREAD "T"	MATERIAL	FINISH	PLATING	AMP PART NO.

THIS DRAWING IS A CONTROLLED DOCUMENT.

DWN R. FAWSON 25MAR2003	 TE Connectivity Ltd.
CHK RMF 25MAR03	
APVD RMF 25MAR03	
NAME	
DIMENSIONS: INCHES TOLERANCES UNLESS OTHERWISE SPECIFIED: 0 PLC ± - 1 PLC ± - 2 PLC ± - 3 PLC ± .010 4 PLC ± - ANGLES ± 1'	
MATERIAL: - FINISH: -	
APPLICATION SPEC: - WEIGHT: - CUSTOMER DRAWING	
SIZE: A2 CADE CODE: 00779 DRAWING NO: C=1403077 RESTRICTED TO: - SCALE: 1:1 SHEET: 2 OF 2 REV: A3	