

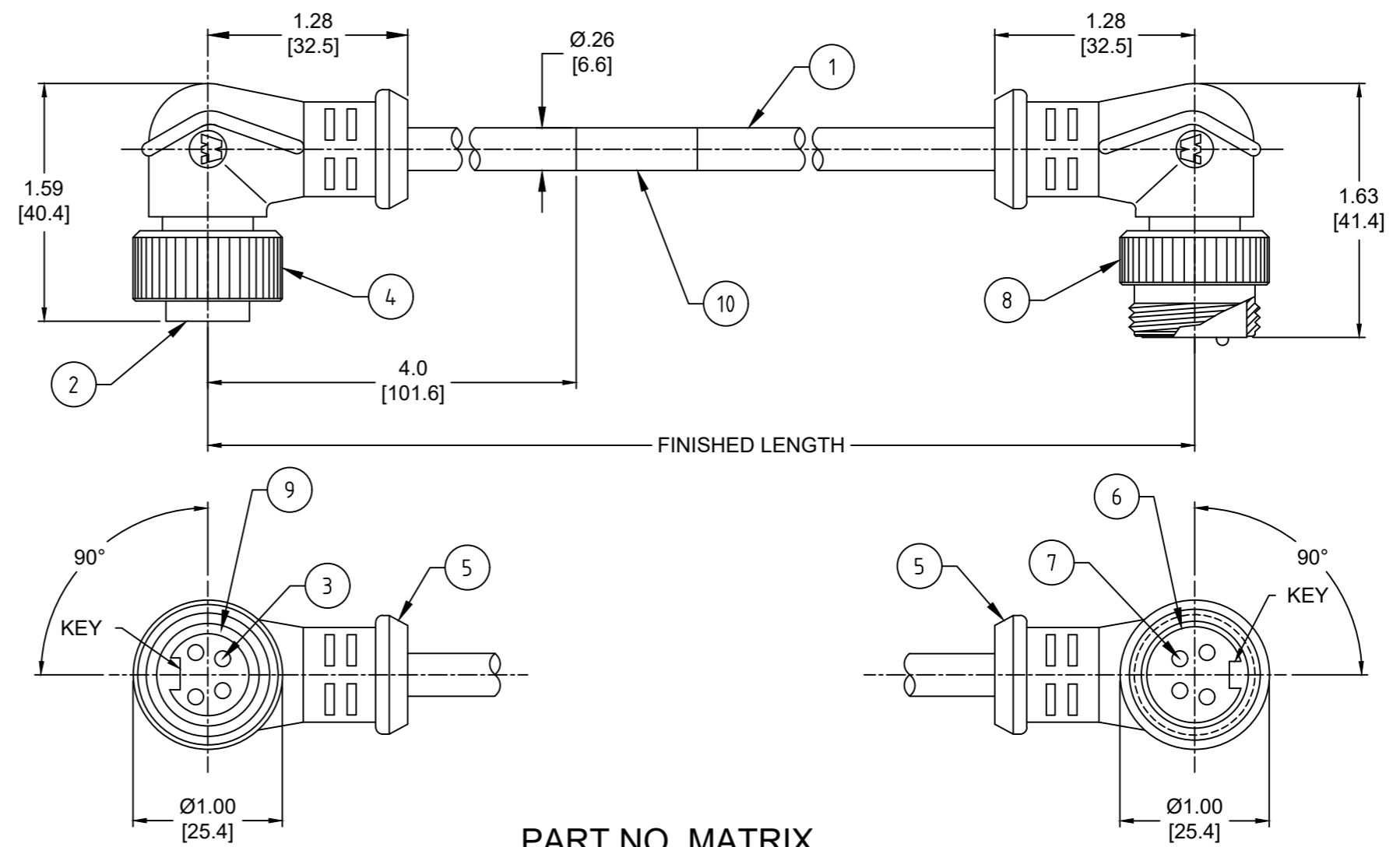
PART NO	ENGINEERING NO.	FINISHED LENGTH
1300100971	114033K03M002	0.2M [8 IN]
1300102071	114033K03M100	10M [32FT 10 IN]
1300100981	114033K03M250	25M [82FT]

- NOTES:
- MATERIAL: AS NOTED
  - FINISH: AS NOTED
  - ELECTRICAL:  
VOLTAGE: 300V AC/DC  
CURRENT: 5.6A
  - TEMP RATING: -20°C TO +105°C
  - PROTECTION: IP67 (WHEN MATED)
  - COUPLING THREAD: 7/8-16UN
  - CABLE BEND RADIUS IS 10X CABLE DIA.
  - CSA LISTED FILE: LR6837
  - ALL DIMENSIONS ARE FOR REFERENCE UNLESS TOLERANCED OR NOTED OTHERWISE

MECHANICAL CHARACTERISTICS:

TORSIONAL FLEX TEST	10 MILLION CYCLES PER MIL-C-13777G
BEND FLEX TEST	10 MILLION CYCLES PER MIL-C-13777G
WELD SLAG RESISTANCE	WOODHEAD STANDARD S-300

ITEM	DESCRIPTION	MATERIAL	FINISH
10	WRAP LABEL	VINYL	BLACK/YELLOW
9	FRICITION RING	NYLON	NATURAL
8	COUPLING NUT, MALE THREAD	ZINC DIE-CAST	BLACK E-COAT
7	CONTACT PIN	COPPER ALLOY	GOLD PLATED
6	MALE INSERT	TPE	YELLOW
5	OVERMOLD	TPE	YELLOW
4	COUPLING NUT, FEMALE THREAD	ZINC DIE-CAST	BLACK E-COAT
3	CONTACT SOCKET	COPPER ALLOY	GOLD PLATED
2	FEMALE INSERT	TPE	YELLOW
1	CABLE, 18 AWG ITC/PLTC, HI-FLEX	TPE JACKET	YELLOW



PART NO. MATRIX  
114033K03M002

FINISHED LENGTH:  
M002= 0.2 METER  
M010= 1 METER  
M100= 10 METER

CABLE LENGTH TOLERANCES

<.3M [1FT]:	+19mm-0 [+1.75in-0]
.3 - .9M [1 - 3FT]:	+44.5mm-0 [+1.75in-0]
.9 - 1.8M [3 - 6FT]:	+55.6mm-0 [+2.19in-0]
1.8 - 3.7M [6 - 12FT]:	+88.9mm-0 [+3.50in-0]
3.7 - 7.3M [12 - 24FT]:	+165.1mm-0 [+6.50in-0]
7.3-14.6M [24 - 48FT]:	+317.5mm-0 [+12.50in-0]
14.6 - 30.5M [48-100FT]:	+622.3mm-0 [+24.50in-0]
OVER 30M [100FT]	+2% OF FINISHED LENGTH

FUNCTIONAL SYMBOLS $F=0$ $E=0$ $P=0$	THIS DRAWING CONTAINS INFORMATION THAT IS PROPRIETARY TO MOLEX ELECTRONIC TECHNOLOGIES, LLC AND SHOULD NOT BE USED WITHOUT WRITTEN PERMISSION		CURRENT REV DESC: ITEM# 2, 5 & 6 WERE PVC. ADDED ITEM #9, TOL CHART & MECH CHART... MODIFIED TEMP RATING & MATERIAL NUMBER CHART					
	DIMENSION UNITS <b>INCH/MM</b>	SCALE <b>NTS</b>	GENERAL TOLERANCES (UNLESS SPECIFIED)					
	4 PLACES ±--- ±---	3 PLACES ±--- ±---	EC NO: 663067 DRWN: ABENJAMINLW 2021/01/18 CHK'D: RSTONE 2021/05/06 APPR: BWOODMAN 2021/05/13					
	2 PLACES ±--- ±---	1 PLACE ±--- ±---	INITIAL REVISION: DRWN: RSTONE 2017/02/23 APPR: BWOODMAN 2017/03/08					
DIVISIONAL SYMBOLS 0 PLACES ±--- ±---	ANGULAR TOL ± --- °	DRAFT WHERE APPLICABLE MUST REMAIN WITHIN DIMENSIONS	THIRD ANGLE PROJECTION	DRAWING B-SIZE	SERIES 130010	MATERIAL NUMBER SEE CHART	CUSTOMER GENERAL MARKET	SHEET NUMBER 1 OF 1