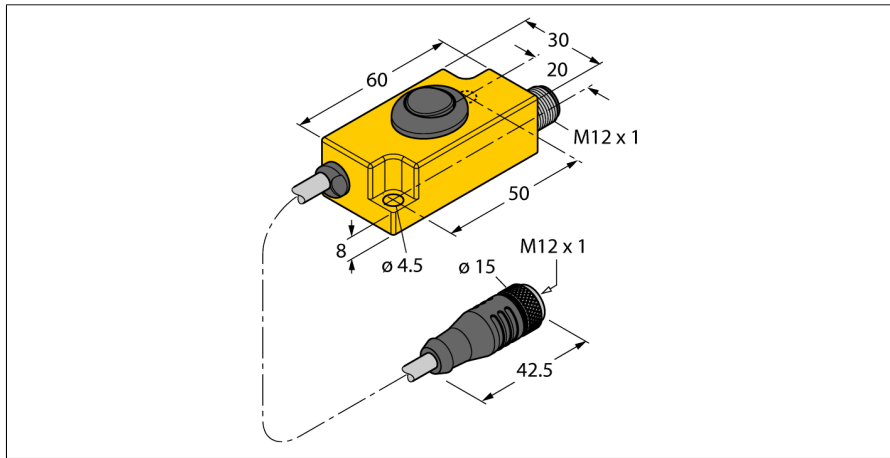
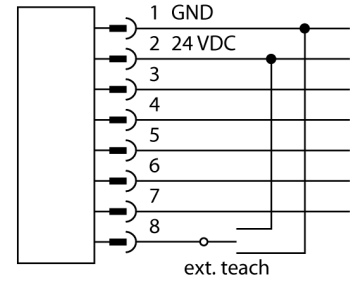


Accessories
Teach Adapter
TX2-Q20L60



- Teach adapter
- For programming of inductive encoders with SSI interface or incremental output



Type designation	TX2-Q20L60
Ident-No.	6967117
Dimensions	60 x 30 x 20 mm

Functional principle

Connect the teach adapter between sensor and connection cable. On activating the DIP switch, the corresponding parameter settings are taken over.