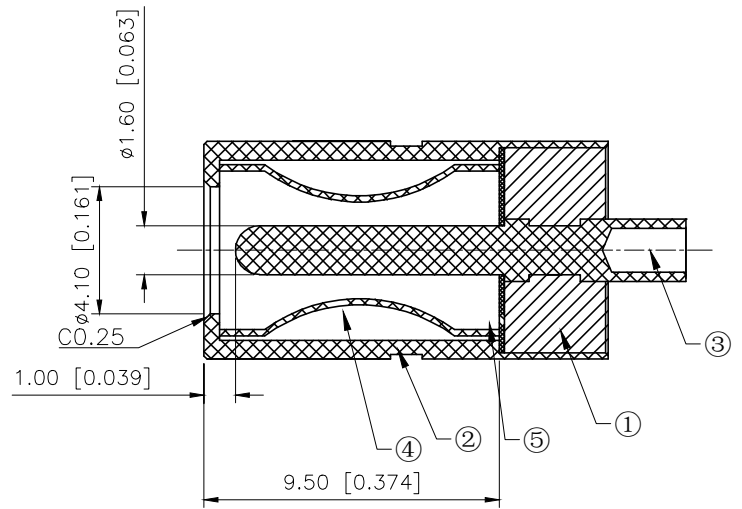
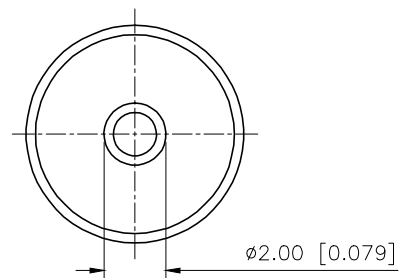
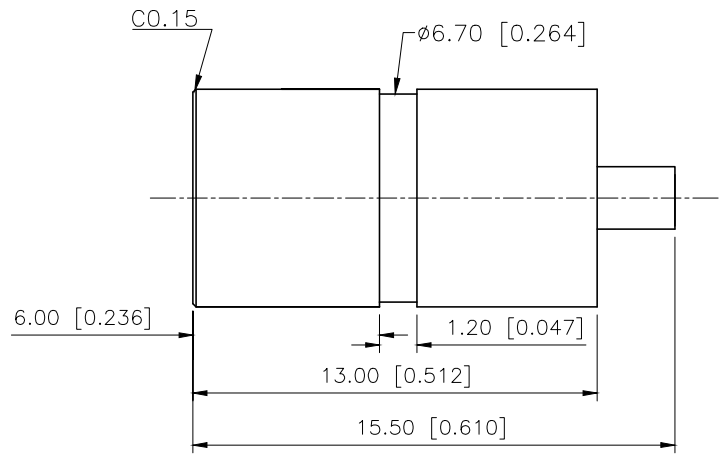
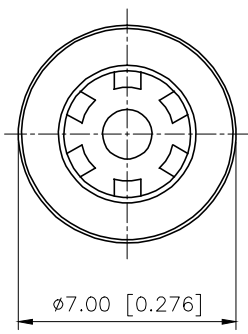


REVISIONS					
REV.	ECN NO.	LOCATION	DESCRIPTION	DATE	DESIGN
A0	N/A		INITIAL RELEASE	/	/
A1	N/A		图面升级整理图面	2025.07.01	阿树



Technolo Request:
 1.Outlook:
 NO burr,no hurt.
 2.Electronic performance:
 a:Insulation resistance:
 Above DC500V/100MΩ;
 b:Endure voltage:
 AC500V at 1 minute;
 c>Contact resistance:
 Under 30MΩ;
 3.Insertion fore & withdrawal force:0.3-3kgf.
 4.Salt spray test :24H.

Waterproof tube	C3604	Ni
Spring	Phosphor Bronze	Ni
Terminal	C3604	Ni
Silicone pad		
Plastic	PBT	Black
PAPT NAMF	MATERIAL	PLATING

AuGLAR	±5°
X.	±0.40
X.x	±0.30
X.xx	±0.20
X.xxx	±0.15
UNSPECIFIED TOLERAUCES	



DESIGN
CHECKED
APPROVED

阿树

VIEW: UNIT: mm/in
SIZE: A4

MODEL TYPE:
DC POWER JACK
PART NO.:
DC-F1670
DWG NO.:

XKB INDUSTRIAL PRECISION CO.,LIMITED

SCALE	PAGE	REVISION
N/A	1/1	A1