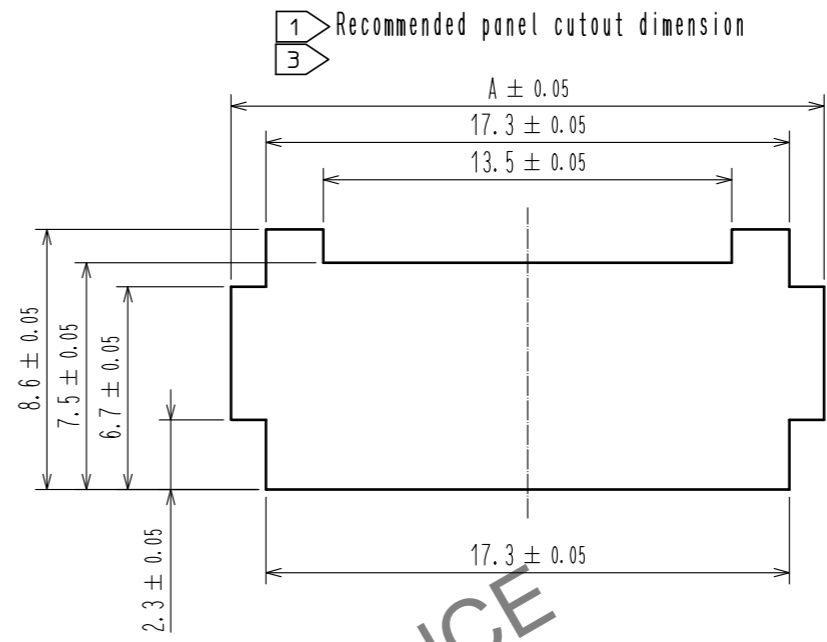
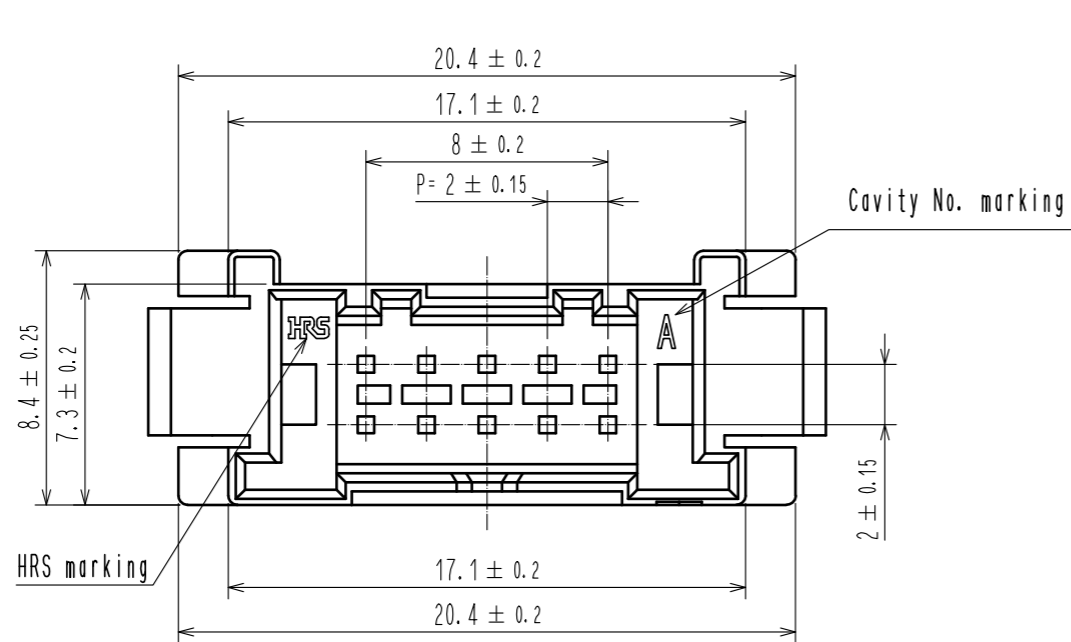
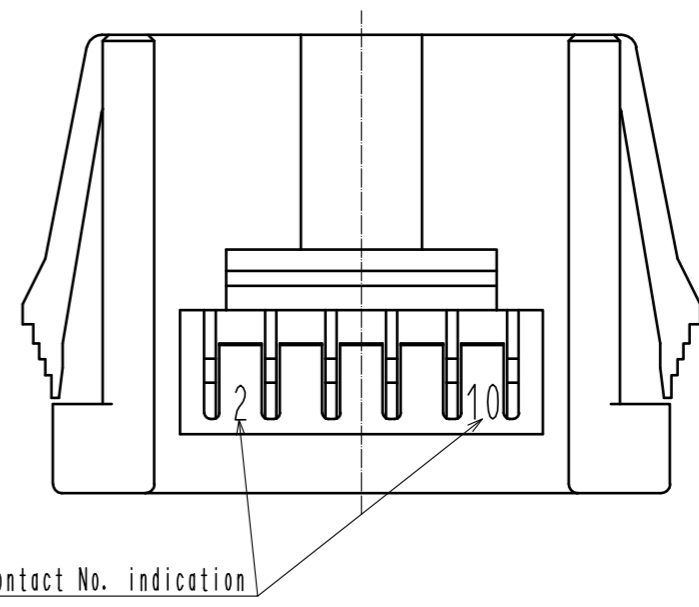
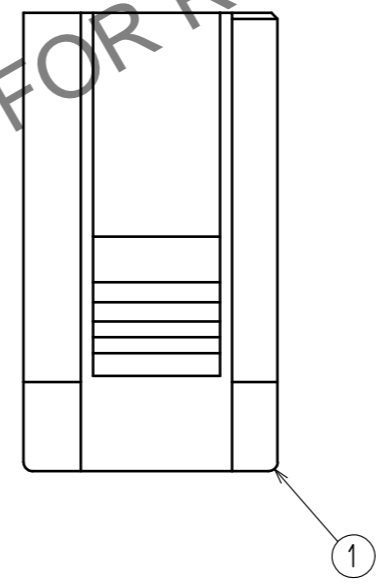
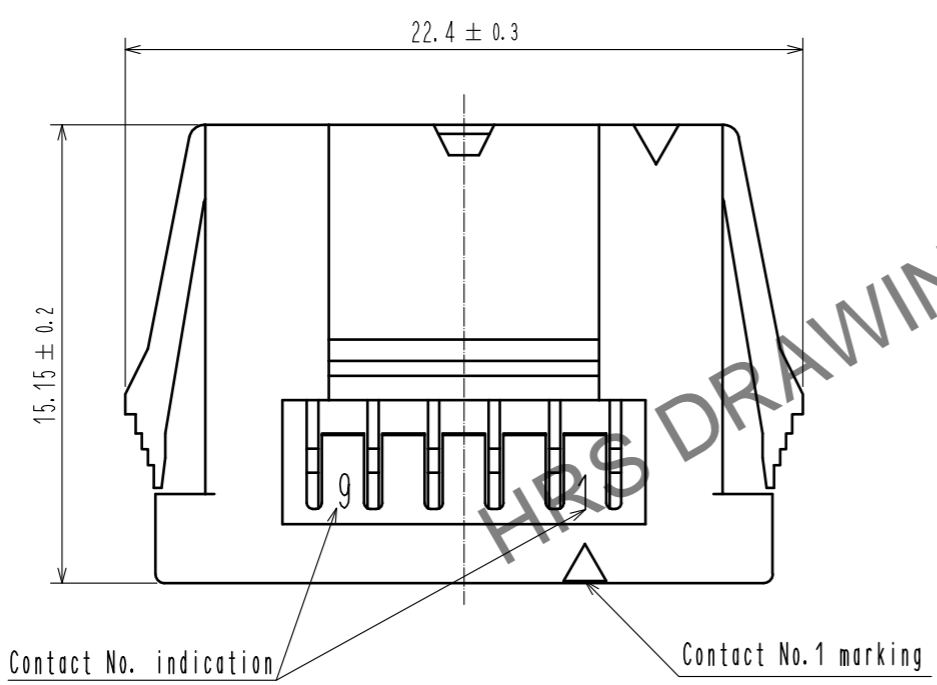


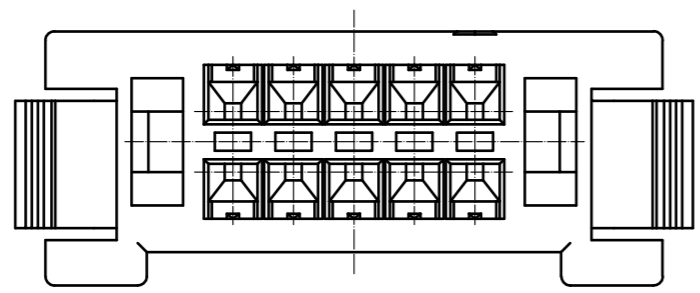
Jul.1.2024 Copyright 2024 HIROSE ELECTRIC CO., LTD. All Rights Reserved.  
 In case of consideration for using Automotive equipment / device which demand high reliability, kindly contact our sales window correspondents.



Panel thickness	A
0.5~0.8	19.6
0.9~1.3	20.1
1.4~1.8	20.5
1.9~2.3	20.9



- Note
- 1 Please use non-radius side for the panel hooking area.
  - 2 Applicable panel thicknessing is 2.3 to 0.5 mm.
  - 3 Consult Hirose for the other panel cutout designs than recommended one.
  - 4. Per pack : 100 pieces.
  - 5. UL(File No. E52653),  
C-UL(File No. E52653) authorization article.



NO.	MATERIAL	FINISH . REMARKS	NO.	MATERIAL	FINISH . REMARKS		
			1	PBT	UL94V-0. BLACK		
UNITS mm		SCALE 4 : 1	COUNT 1	DESCRIPTION OF REVISIONS DIS-H-00004537	DESIGNED TS. MIYAKI	CHECKED HS. OKAWA	DATE 20181221
APPROVED : HS. OKAWA 20160601			DRAWING NO. EDC-366285-00-00				
CHECKED : YN. TAKASHITA 20160601			PART NO. DF51-10DEP-2C				
DESIGNED : TT. OHSAKO 20160601			CODE NO. CL543-5074-0-00				
DRAWN : TT. OHSAKO 20160601							