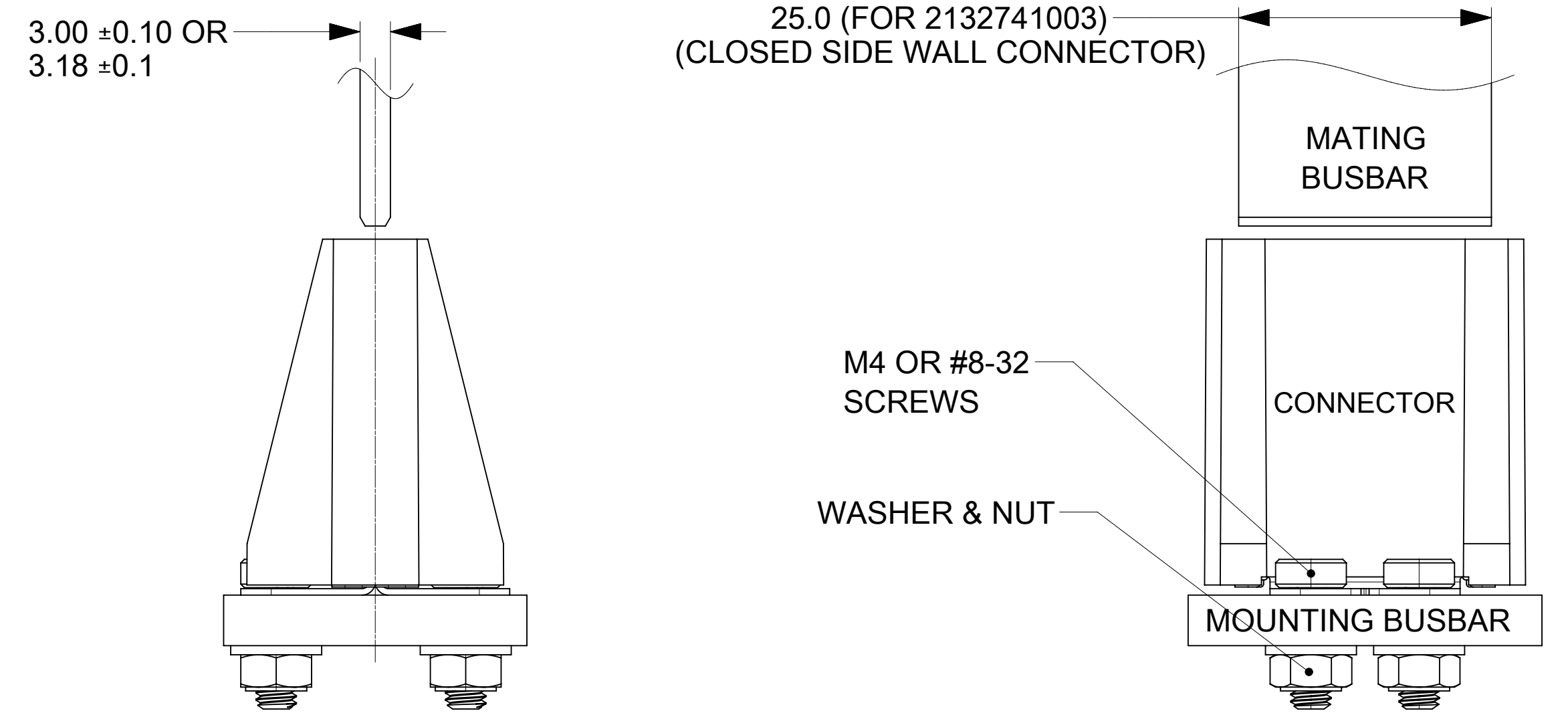
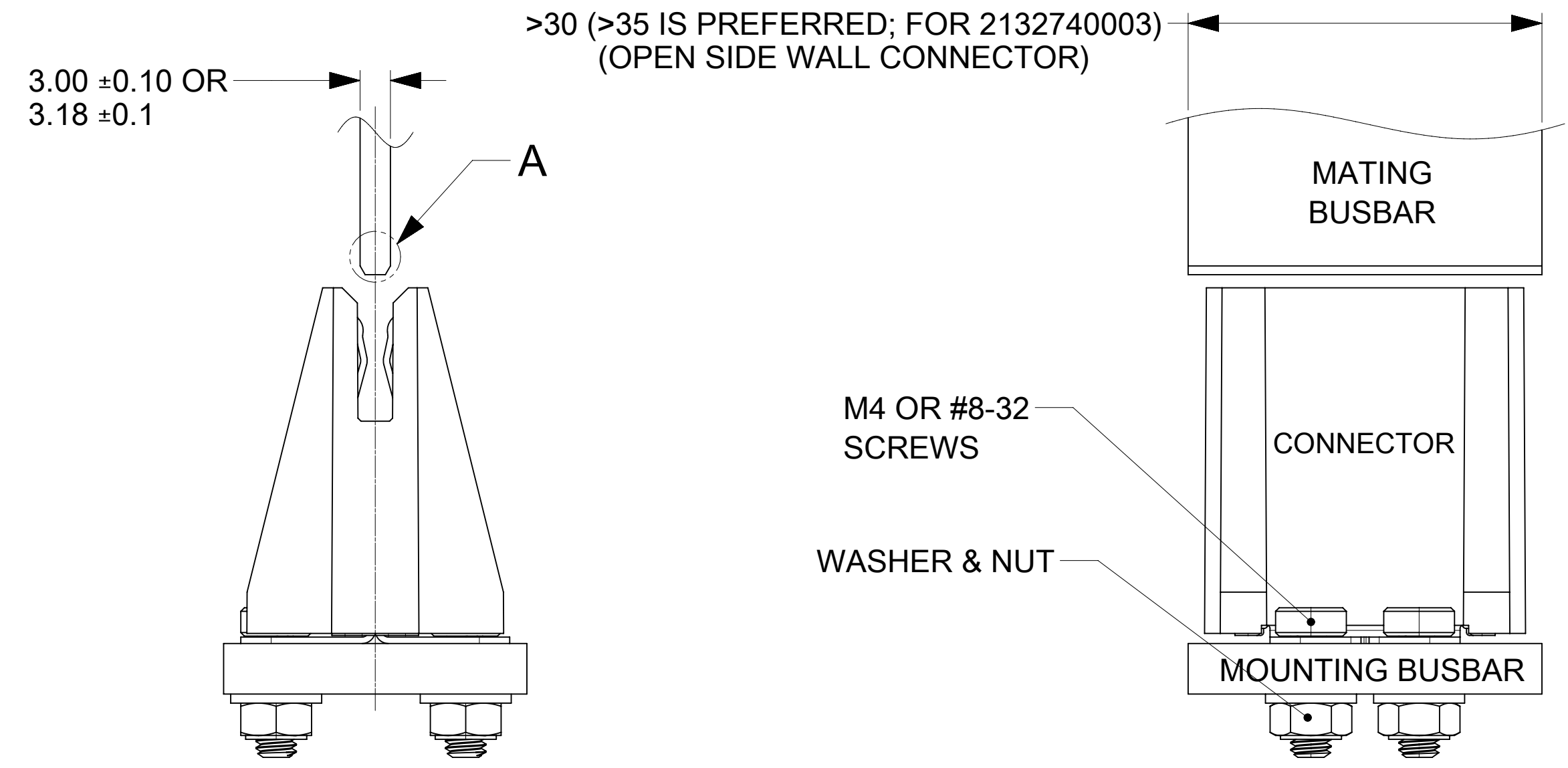
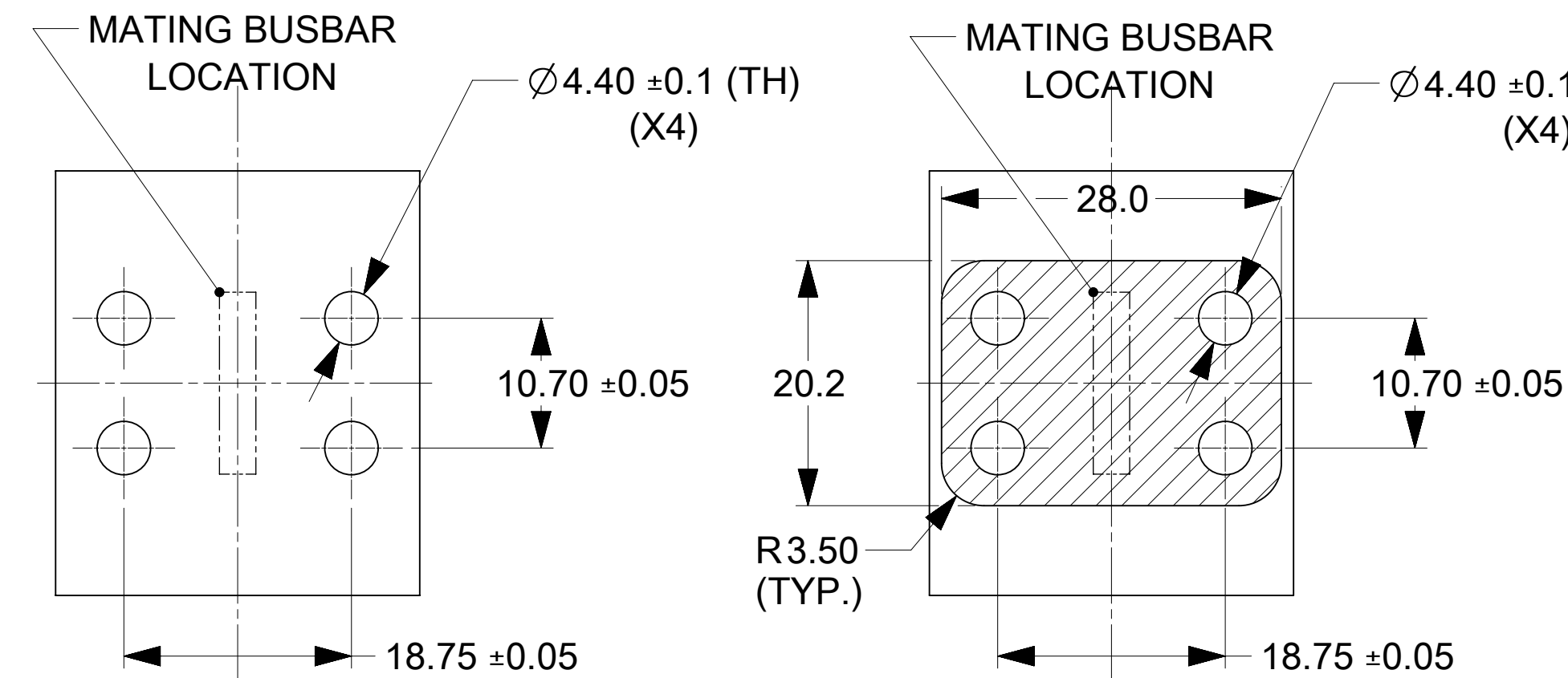


PART NUMBER	DESCRIPTION	NOTE
2132740003	OPEN SIDE WALL (SILVER)	
2132741003	CLOSED SIDE WALL (SILVER)	

PART NUMBER	DESCRIPTION	NOTE
2132740103	OPEN SIDE WALL (TIN)	
2132741103	CLOSED SIDE WALL (TIN)	



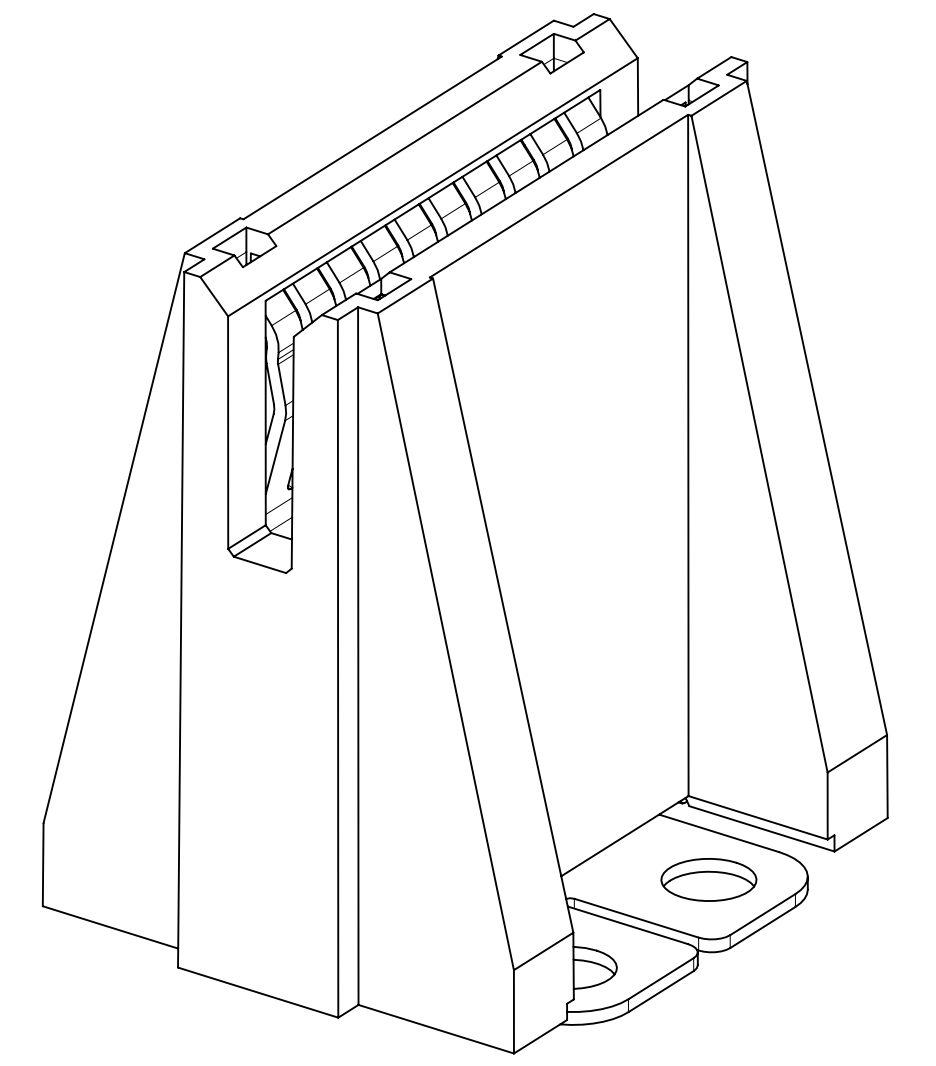
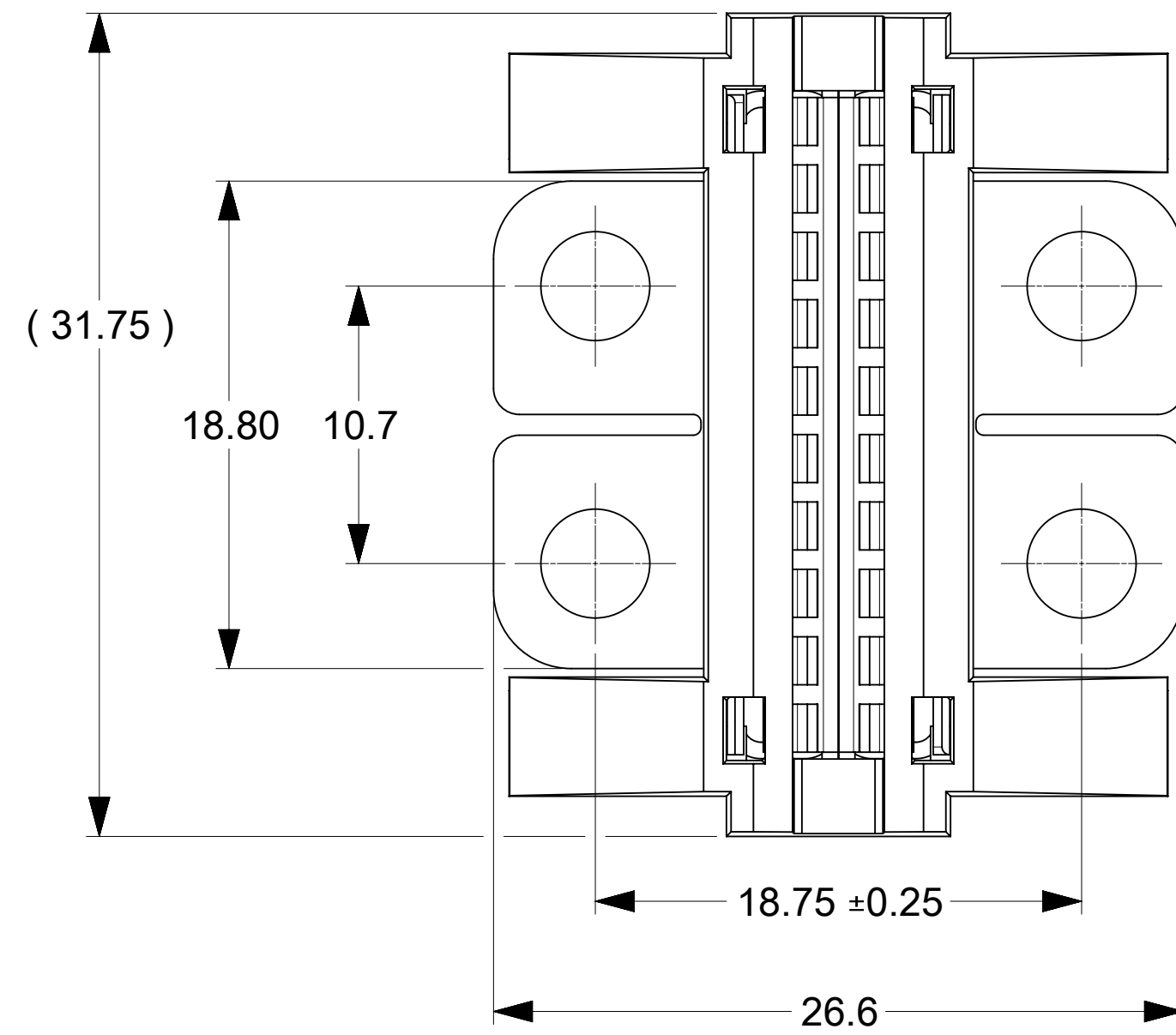
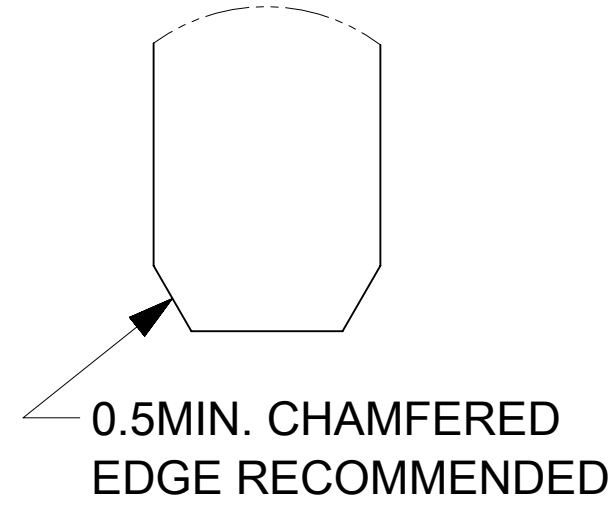
**BUSBARS, SCREWS, WASHER AND NUTS
IN THESE VIEWS ARE SHOWN FOR REFERENCE**



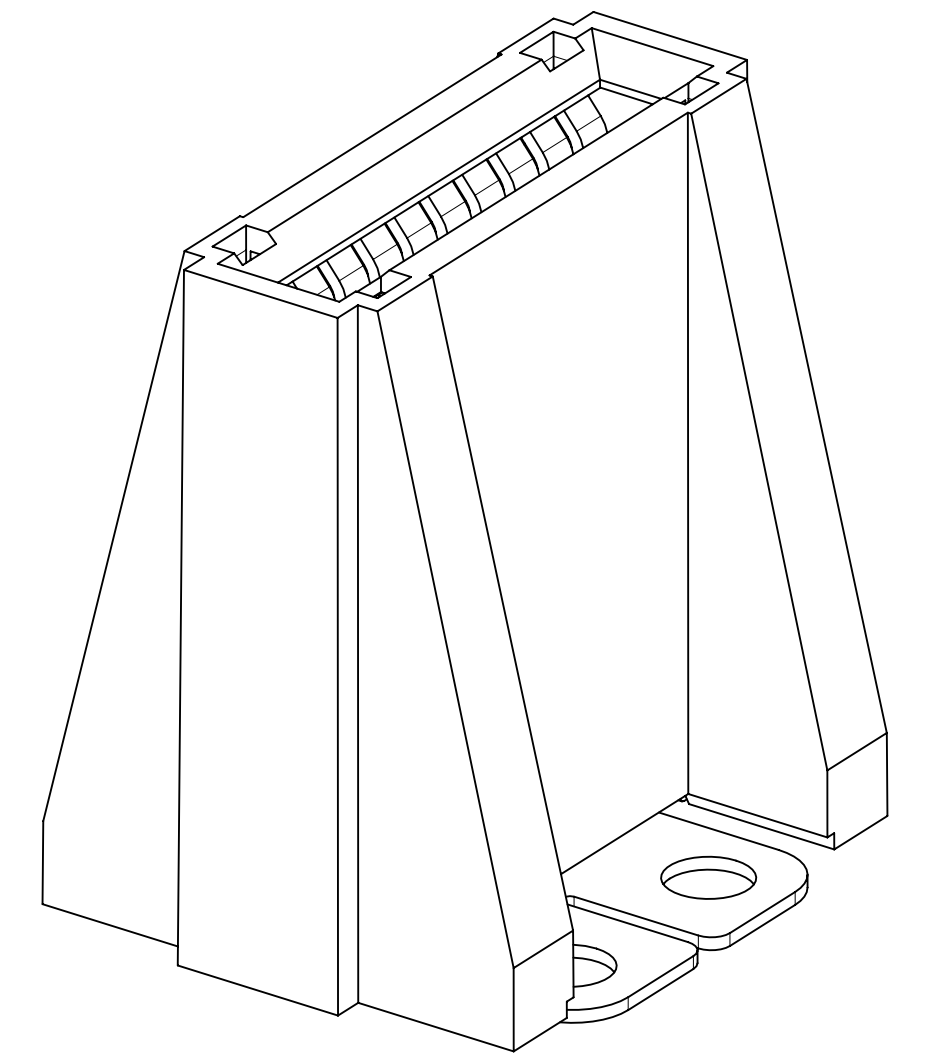
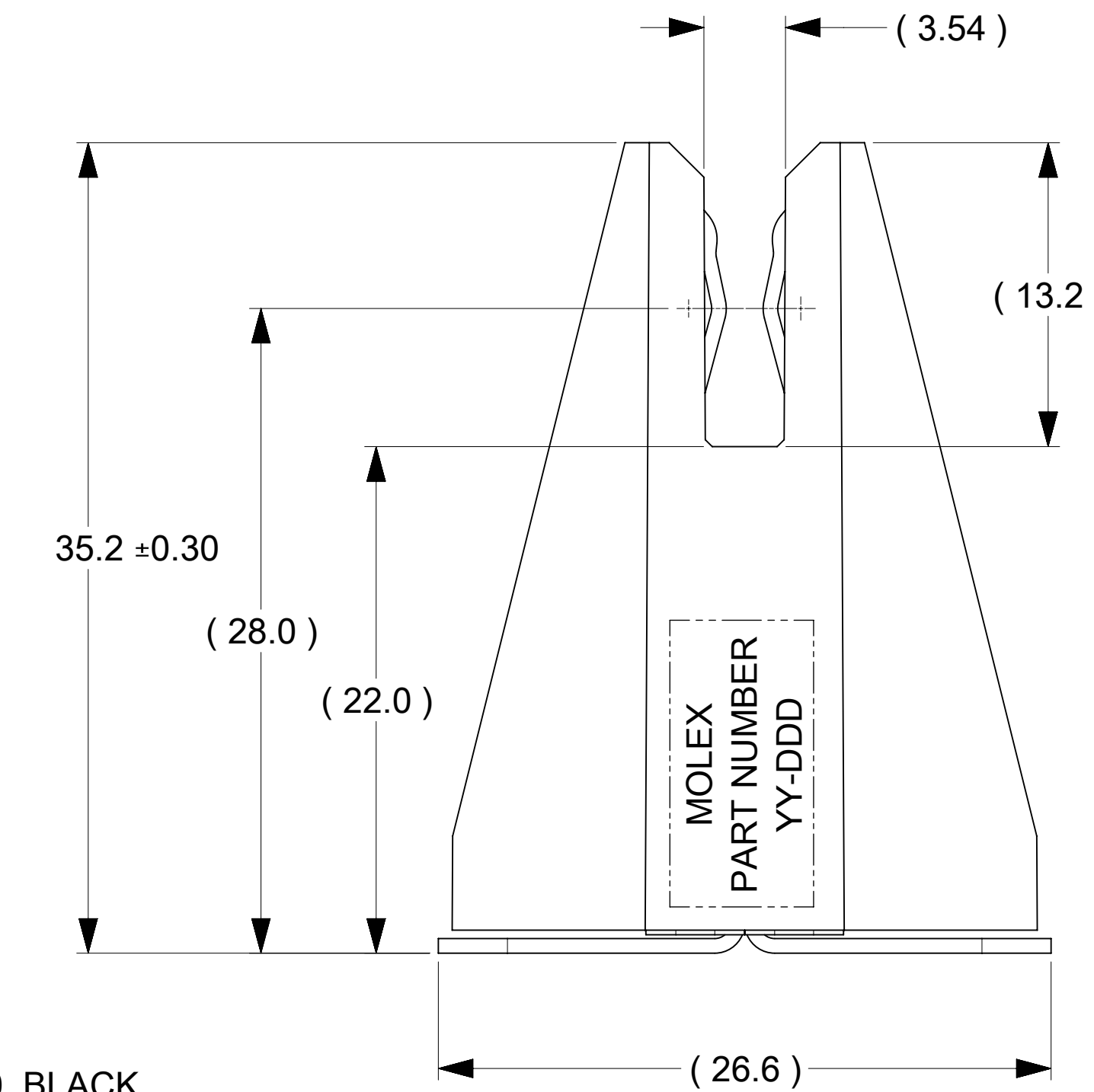
**RECOMMENDED
BUSBAR LAYOUT**

**RECOMMENDED
PCB LAYOUT**

- NOTES:**
- MATERIALS:**
 - HOUSING BODY: POLYMER, UL94V-0, BLACK.
 - TERMINALS: COPPER ALLOY.
 - RIVET/CLIP: COPPER ALLOY.
 - PLATING:**
 - CONTACT AREAS:**
 - OPTION 1: 3.18 MICRON MIN. SILVER, OVER 1.27 MICRON MIN. NICKEL.
 - OPTION 2: 2.50 MICRON MIN. MATTE TIN OV34 1.27 MICRON MIN. NICKEL.
 - TAB AREAS:** 3.18 MICRON MIN. SILVER OVER 1.27 MICRON MIN. NICKEL.
 - REST:** 1.27 MICRON MIN. NICKEL.
 - LUBRICATION:** LUBED IN CONTACT AREA.
 - REFERENCE DOCUMENT:**
 - SILVER VERSION: 2132740001-PS, 2132740001-AS.
 - TIN VERSION: 2132740002-PS, 2132740001-AS.
 - MODULE ASSEMBLY IS RoHS COMPLIANT.
 - FINAL ASSEMBLY TO BE PACKAGED AND LABELED PER PACKAGING KIT DRAWING NUMBER 2132740003-PK.



**PART NUMBER: 2132740003
(OPEN SIDE WALLS)**



**PART NUMBER: 2132741003
(CLOSED SIDE WALLS)**

FUNCTIONAL SYMBOLS	THIS DRAWING CONTAINS INFORMATION THAT IS PROPRIETARY TO MOLEX ELECTRONIC TECHNOLOGIES, LLC AND SHOULD NOT BE USED WITHOUT WRITTEN PERMISSION		CURRENT REV DESC:	
DIMENSION UNITS	SCALE			
$F_A = 0$	mm	3:1		
$F_C = 0$	GENERAL TOLERANCES (UNLESS SPECIFIED)			
$F_D = 0$	ANGULAR TOL ± °			
4 PLACES	±			
3 PLACES	±			
2 PLACES	± 0.15			
1 PLACE	± 0.25			
0 PLACES	±			
DRAFT WHERE APPLICABLE MUST REMAIN WITHIN DIMENSIONS	THIRD ANGLE PROJECTION	DRAWING	SERIES	MATERIAL NUMBER
		D-SIZE	213274	SEE CHART
EC NO: 785440		2024/04/23		
DRWN: JOEJ3		2024/05/09		
CHK'D: JAYK1		2024/05/09		
APPR: JAYK1		2024/05/09		
INITIAL REVISION:		2020/03/02		
DRWN: TOMLU		2021/12/21		
APPR: BPISZCZOR		2021/12/21		
DOCUMENT NUMBER		DOC TYPE	DOC PART	REVISION
2132740003-SD		PSD	000	B1
CUSTOMER		SHEET NUMBER		
SEE CHART		1 OF 1		