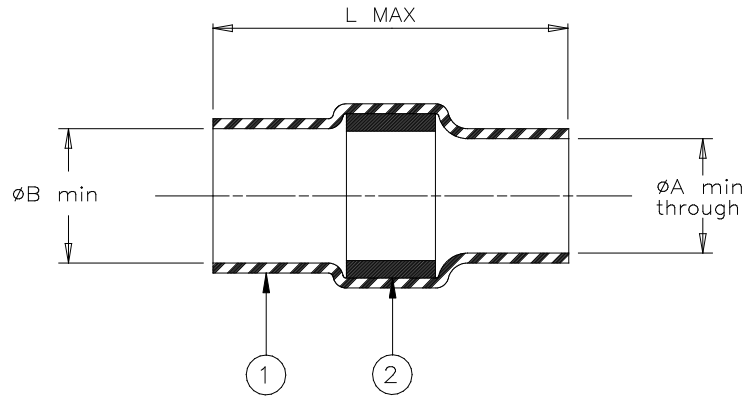


# CUSTOMER DRAWING



Product Name	Product Dimensions			Cable Dimensions				
	øA min.	øB min	L max	øD max	øE min	øG max	J±0.5	H±0.5
B-051-65	10.8	11.6	31.5	11.6	5.8	10.8	15	14
B-051-66	13	14	31.5	14	8.7	13	15	14

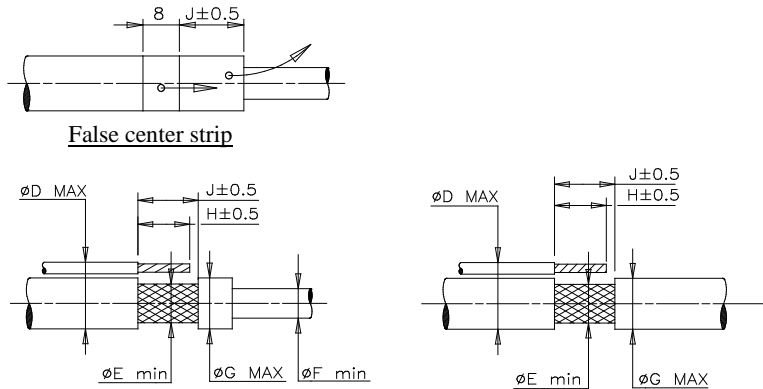
### MATERIALS

- INSULATION SLEEVE: Heat-shrinkable, transparent clear, radiation cross-linked modified polyolefin.
- SOLDER PREFORM WITH FLUX:
  - SOLDER: TYPE Cd18 per ANSI-J-STD-006.
  - FLUX: TYPE ROL0 per ANSI-J-STD-004.


### APPLICATION

- These controlled soldering devices are designed for termination of a tin plated copper shield on a cable having an insulation rated for at least +105°C.
- Temperature range: -55°C to +115°C. For application tooling, consult your local Raychem technical service.

For best results, prepare the cable as shown:



TE Connectivity, TE connectivity (logo), Raychem, and Thermofit are trademarks

		<b>Raychem</b> THERMOFIT DEVICES		TITLE: <b>SHIELD TERMINATION LOW TEMPERATURE</b>		
UNLESS OTHERWISE SPECIFIED DIMENSIONS ARE IN MILLIMETERS. INCHES DIMENSIONS ARE BETWEEN BRACKETS.				DOCUMENT NO.: <b>B-051-65/66</b>		
TOLERANCES: 0.00 N/A 0.0 N/A 0 N/A	ANGLES: N/A  ROUGHNESS IN MICRON	TE Connectivity reserves the right to amend this drawing at any time. Users should evaluate the suitability of the product for their application.		Revision: 2		Issue Date: March 2020
DRAWN BY: M. FORONDA	DATE: 06/15/98	ECO: ECO-20-003568		SCALE: None	SIZE: A	SHEET: 1 of 1

Print Date: 13-Mar-20 If this document is printed it becomes uncontrolled. Check for the latest revision.