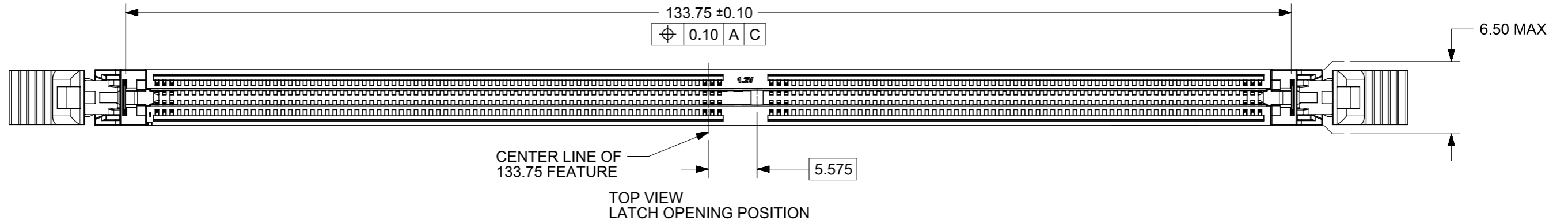


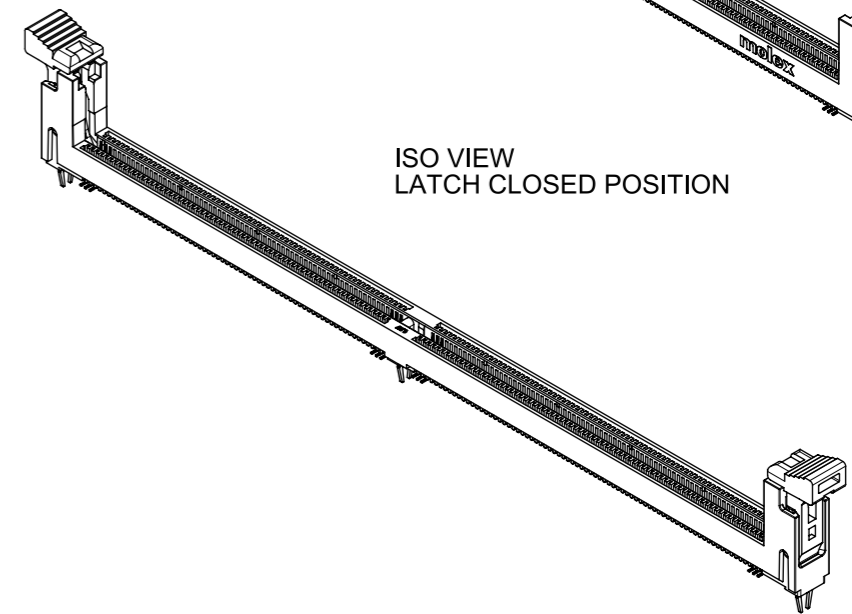
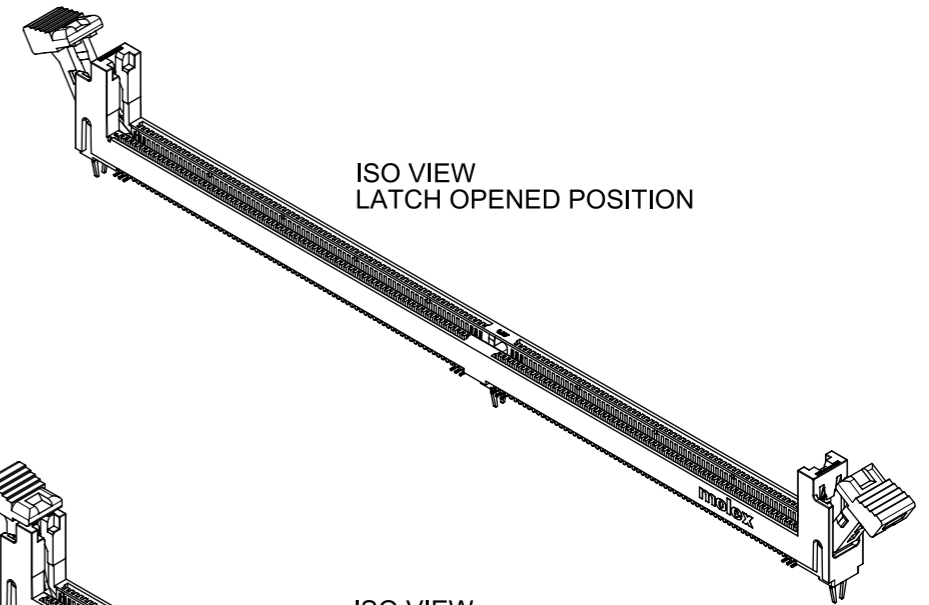
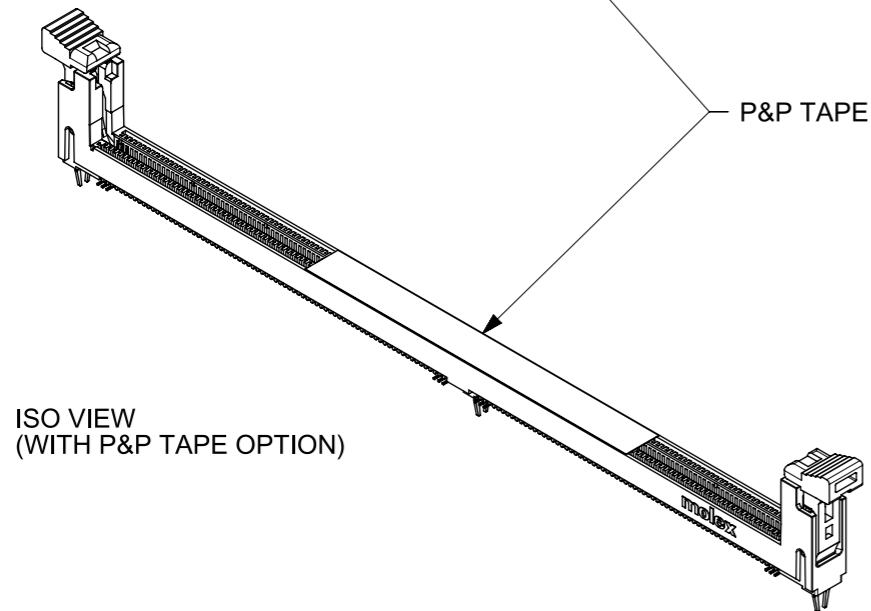
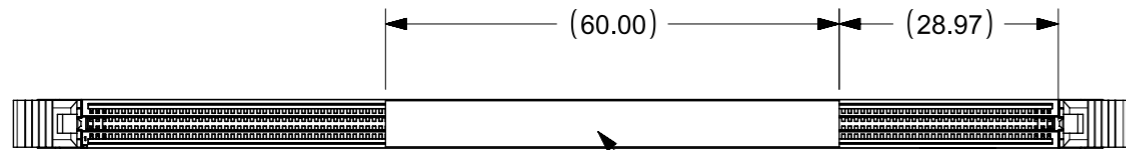
NOTES:

1. MATERIAL : HOUSING - HALOGEN FREE HIGH TEMP POLYAMIDE, GLASS FILLED, UL94V-0.
COLOUR : SEE TABLE ON SHEET 5.
LATCH - HALOGEN FREE HIGH TEMP POLYAMIDE, GLASS FILLED, UL94V-0.
COLOUR : SEE TABLE ON SHEET 5.
TERMINAL : COPPER ALLOY.
FORKLOCK: COPPER ALLOY.
2. FINISHES - SEE TABLE ON SHEET 5.
3. PRODUCT SPECIFICATION : SEE TABLE ON SHEET 5.
4. PACKAGING SPECIFICATION: PRODUCT SHALL BE PACKED IN TRAY, SEE SHEET 5
5. CARD SLOT ACCEPTS 1.40±0.10MM MODULE THICKNESS (MEASURED OVER P.C. PADS).
6. MOLEX LOGO, DATE & PART NO. INDICATED ON HOUSING.
7. MODULE SEATING PLANE.
8. KEEP OUT ZONE RESERVED FOR LATCH.
9. KEEP OUT AREA IS THE AREA WHERE THE CONNECTOR (INCLUDES LATCHES IN OPENING POSITION) IS MOUNTED ON THE PCB.
10. REFER TO AS-78730-001 FOR CONNECTOR APPLICATION GUIDELINE.
11. REFER TO AS-78730-002 FOR PCB ROUTING RECOMMENDATIONS.

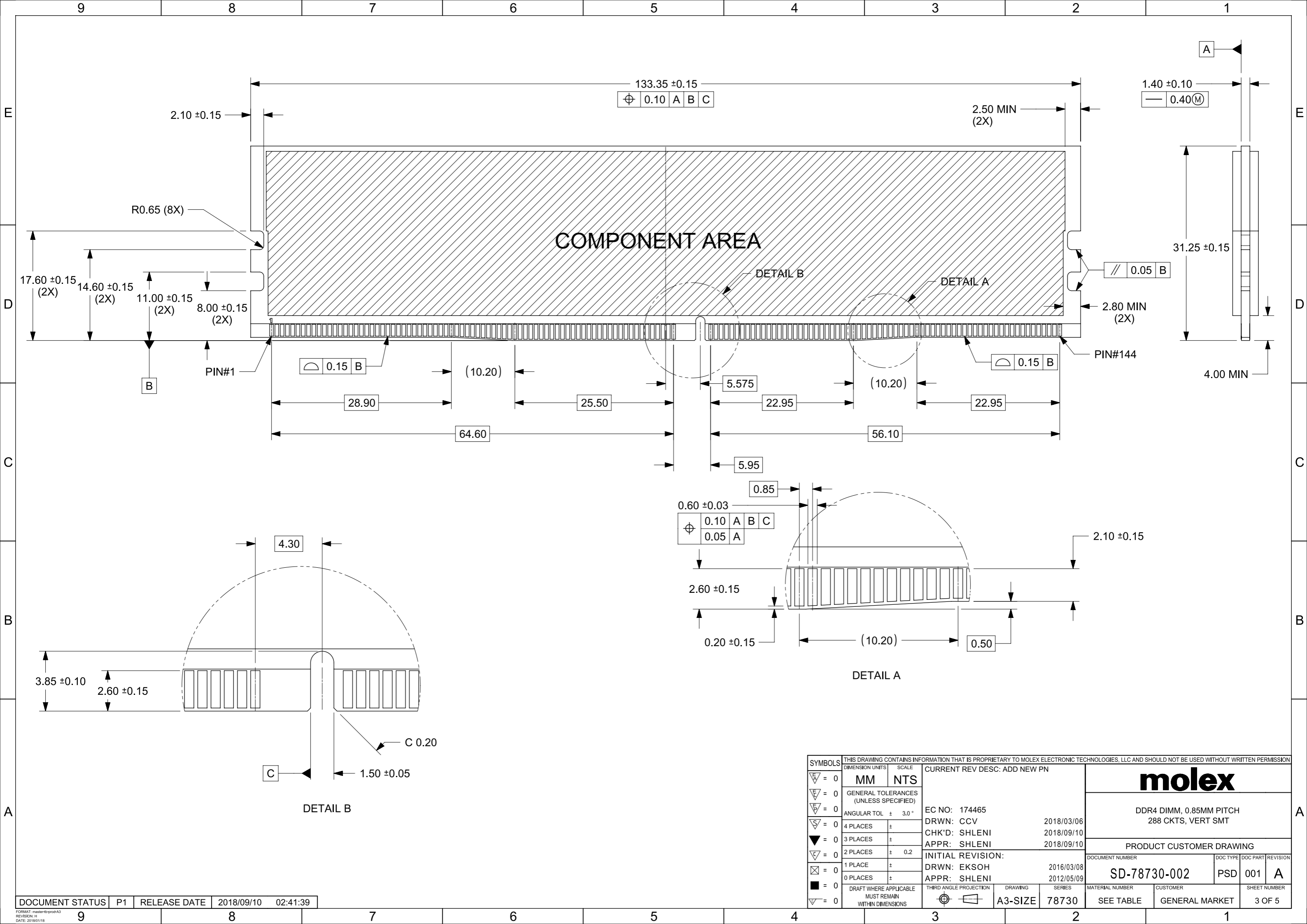
| | | | | | | | |
|---------|--|---|------------------------------|------------------------------|----------------------------|--------------|---|
| SYMBOLS | | THIS DRAWING CONTAINS INFORMATION THAT IS PROPRIETARY TO MOLEX ELECTRONIC TECHNOLOGIES, LLC AND SHOULD NOT BE USED WITHOUT WRITTEN PERMISSION | | CURRENT REV DESC: ADD NEW PN | | molex | |
| ▽ = 0 | MM | NTS | | | | | |
| ▽ = 0 | GENERAL TOLERANCES (UNLESS SPECIFIED) | | EC NO: 174465 | | 2018/03/06 | | DDR4 DIMM, 0.85MM PITCH 288 CKTS, VERT SMT |
| ▽ = 0 | ANGULAR TOL ± 3.0° | | DRWN: CCV | | 2018/09/10 | | |
| ▽ = 0 | 4 PLACES ± | | CHK'D: SHLENI | | 2018/09/10 | | PRODUCT CUSTOMER DRAWING |
| ▽ = 0 | 3 PLACES ± | | APPR: SHLENI | | 2018/09/10 | | |
| ▽ = 0 | 2 PLACES ± 0.2 | | INITIAL REVISION: | | | | DOCUMENT NUMBER SD-78730-002 |
| ▽ = 0 | 1 PLACE ± | | DRWN: EKSOH | | 2016/03/08 | | |
| ▽ = 0 | 0 PLACES ± | | APPR: SHLENI | | 2012/05/09 | | DOC TYPE PSD |
| ■ = 0 | DRAFT WHERE APPLICABLE MUST REMAIN WITHIN DIMENSIONS | | THIRD ANGLE PROJECTION | | DRAWING A3-SIZE | | DOC PART 001 |
| ▽ = 0 | | | | | SERIES 78730 | | REVISION A |
| | | | MATERIAL NUMBER SEE TABLE | | CUSTOMER GENERAL MARKET | | SHEET NUMBER 1 OF 5 |



VIEWS WITH P&P TAPE OPTION



| | | | | | | | | | | |
|---------|---|---------------------------------------|------------------------------|----------------------|------------------------|-----------------|-----------------|---|--------------|----------|
| SYMBOLS | THIS DRAWING CONTAINS INFORMATION THAT IS PROPRIETARY TO MOLEX ELECTRONIC TECHNOLOGIES, LLC AND SHOULD NOT BE USED WITHOUT WRITTEN PERMISSION | | CURRENT REV DESC: ADD NEW PN | | molex | | | | | |
| | ▽ = 0 | MM | SCALE | NTS | | | | DDR4 DIMM, 0.85MM PITCH 288 CKTS, VERT SMT | | |
| | ▽ = 0 | GENERAL TOLERANCES (UNLESS SPECIFIED) | | EC NO: 174465 | | DOCUMENT NUMBER | | DOC TYPE | DOC PART | REVISION |
| | ▽ = 0 | ANGULAR TOL ± 3.0° | | DRWN: CCV 2018/03/06 | | SD-78730-002 | | PSD | 001 | A |
| ▽ = 0 | 4 PLACES ± | | CHK'D: SHLENI 2018/09/10 | | INITIAL REVISION: | | MATERIAL NUMBER | | | |
| ▽ = 0 | 3 PLACES ± | | APPR: SHLENI 2018/09/10 | | DRWN: EKSOH 2016/03/08 | | CUSTOMER | | SHEET NUMBER | |
| ▽ = 0 | 2 PLACES ± 0.2 | | APPR: SHLENI 2012/05/09 | | 0 PLACES ± | | GENERAL MARKET | | 2 OF 5 | |
| ▽ = 0 | 1 PLACE ± | | THIRD ANGLE PROJECTION | | DRAWING | | SERIES | | | |
| ▽ = 0 | DRAFT WHERE APPLICABLE MUST REMAIN WITHIN DIMENSIONS | | A3-SIZE | | 78730 | | SEE TABLE | | | |



COMPONENT AREA

DETAIL B

DETAIL A

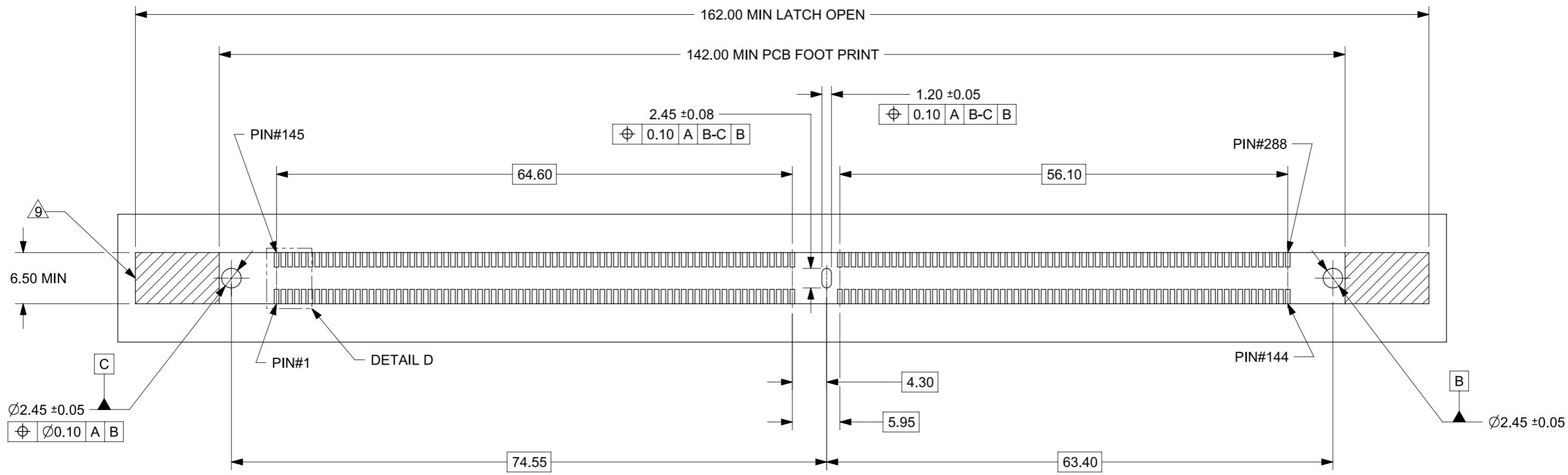
DETAIL B

DETAIL A

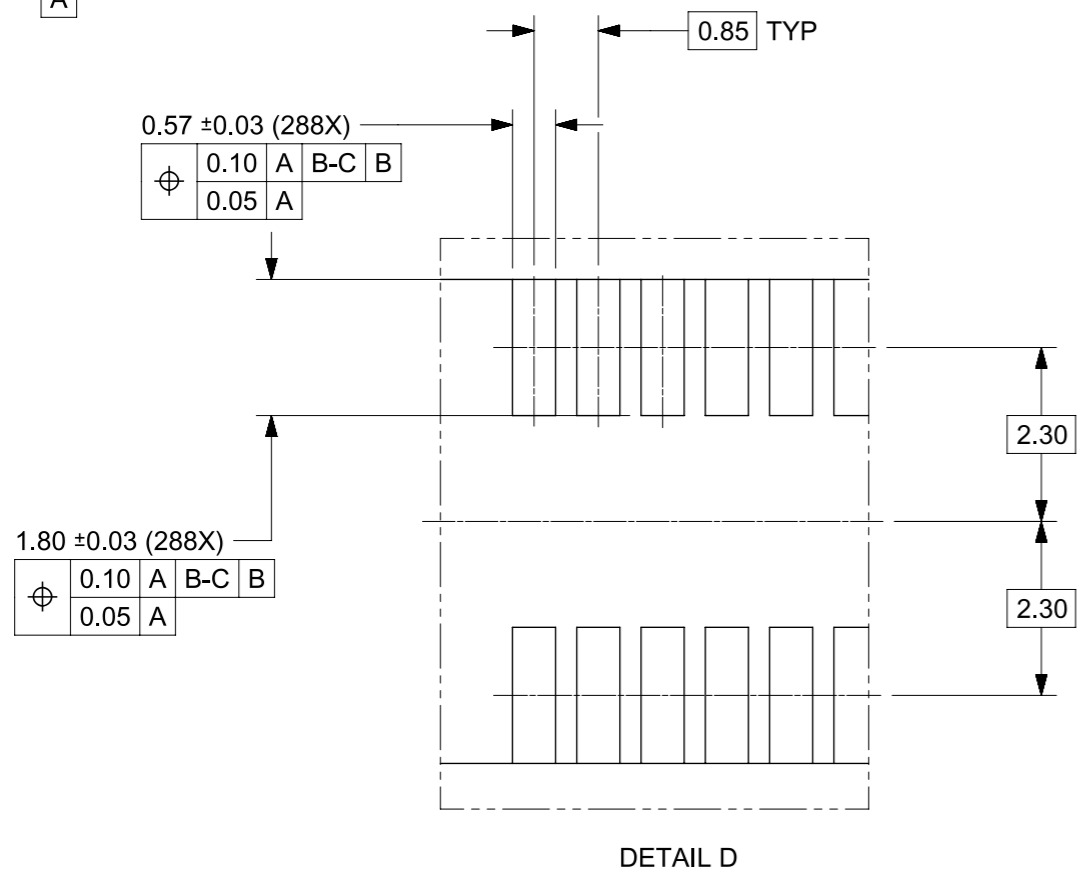
| | | | | |
|-----------------|--|---|------------------------------|---------------------|
| SYMBOLS | | THIS DRAWING CONTAINS INFORMATION THAT IS PROPRIETARY TO MOLEX ELECTRONIC TECHNOLOGIES, LLC AND SHOULD NOT BE USED WITHOUT WRITTEN PERMISSION | | |
| ▽ = 0 | MM | SCALE | CURRENT REV DESC: ADD NEW PN | |
| ▽ = 0 | GENERAL TOLERANCES (UNLESS SPECIFIED) | | | |
| ▽ = 0 | ANGULAR TOL ± 3.0° | | | |
| ▽ = 0 | 4 PLACES ± | EC NO: 174465 | 2018/03/06 | |
| ▽ = 0 | 3 PLACES ± | DRWN: CCV | 2018/09/10 | |
| ▽ = 0 | 2 PLACES ± 0.2 | CHK'D: SHLENI | 2018/09/10 | |
| ▽ = 0 | 1 PLACE ± | APPR: SHLENI | | |
| ▽ = 0 | 0 PLACES ± | INITIAL REVISION: | | |
| ■ = 0 | DRAFT WHERE APPLICABLE MUST REMAIN WITHIN DIMENSIONS | DRWN: EKSOH | 2016/03/08 | |
| ▽ = 0 | | APPR: SHLENI | 2012/05/09 | |
| | | THIRD ANGLE PROJECTION | DRAWING | SERIES |
| | | | A3-SIZE | 78730 |
| DOCUMENT STATUS | | P1 | RELEASE DATE | 2018/09/10 02:41:39 |
| | | | | |

| | | |
|---|----------------|--------------|
| molex | | |
| DDR4 DIMM, 0.85MM PITCH 288 CKTS, VERT SMT | | |
| PRODUCT CUSTOMER DRAWING | | |
| DOCUMENT NUMBER | DOC TYPE | DOC PART |
| SD-78730-002 | PSD | 001 |
| REVISION | | |
| A | | |
| MATERIAL NUMBER | CUSTOMER | SHEET NUMBER |
| SEE TABLE | GENERAL MARKET | 3 OF 5 |

| | | | |
|-----------------|----|--------------|---------------------|
| DOCUMENT STATUS | P1 | RELEASE DATE | 2018/09/10 02:41:39 |
|-----------------|----|--------------|---------------------|


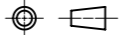


RECOMMENDED PCB THICKNESS: 1.57MM TO 3.18MM



| | | | | | | | | |
|---------|---|-------|---------------------------------------|--|--|---|--|--|
| SYMBOLS | THIS DRAWING CONTAINS INFORMATION THAT IS PROPRIETARY TO MOLEX ELECTRONIC TECHNOLOGIES, LLC AND SHOULD NOT BE USED WITHOUT WRITTEN PERMISSION | | CURRENT REV DESC: ADD NEW PN | | | molex | | |
| | DIMENSION UNITS | SCALE | | | | | | |
| ▽ = 0 | MM | NTS | GENERAL TOLERANCES (UNLESS SPECIFIED) | | | DDR4 DIMM, 0.85MM PITCH 288 CKTS, VERT SMT | | |
| ▽ = 0 | ANGULAR TOL ± 3.0° | | EC NO: 174465 | | | PRODUCT CUSTOMER DRAWING | | |
| ▽ = 0 | 4 PLACES ± | | DRWN: CCV 2018/03/06 | | | DOCUMENT NUMBER | | |
| ▽ = 0 | 3 PLACES ± | | CHK'D: SHLENI 2018/09/10 | | | SD-78730-002 | | |
| ▽ = 0 | 2 PLACES ± 0.2 | | APPR: SHLENI 2018/09/10 | | | DOC TYPE DOC PART REVISION | | |
| ▽ = 0 | 1 PLACE ± | | INITIAL REVISION: | | | PSD 001 A | | |
| ▽ = 0 | 0 PLACES ± | | DRWN: EKSOH 2016/03/08 | | | MATERIAL NUMBER | | |
| ▽ = 0 | DRAFT WHERE APPLICABLE MUST REMAIN WITHIN DIMENSIONS | | APPR: SHLENI 2012/05/09 | | | CUSTOMER | | |
| ▽ = 0 | THIRD ANGLE PROJECTION | | DRAWING | | | SHEET NUMBER | | |
| ▽ = 0 | A3-SIZE | | SERIES | | | 4 OF 5 | | |
| ▽ = 0 | 78730 | | MATERIAL NUMBER | | | GENERAL MARKET | | |

| CKT SIZE | ASSEMBLY PART NO. | HOUSING COLOUR | LATCH COLOUR | P&P OPTION | PLATING OPTION | | PRODUCT SPEC. NO. | PACKAGING SPEC. NO. | | | |
|----------|-------------------|----------------|--------------|------------|--|--|--|--|--|--------------|--------------|
| | | | | | TERMINAL | FORKLOCK | | | | | |
| 288 | 78730-1002 | BLACK | BLACK | NO | 0.76 MICROMETER (30 MICROINCH) MIN GOLD ON CONTACT 2.54 MICROMETER (100 MICROINCH) MIN TIN ON SOLDER TAILS 1.27 MICROMETER (50 MICROINCH) MIN NICKEL UNDERPLATE | 1.0 MICROMETER (40 MICROINCH) MIN TIN OVERALL (PRE-PLATED) | PS-78730-001 | PK-78730-001 | | | |
| | 78730-1003 | BLACK | OFF-WHITE | | | | | | | | |
| | 78730-1004 | OFF-WHITE | BLACK | | | | | | | | |
| | 78730-1005 | OFF-WHITE | OFF-WHITE | | | | | | | | |
| | 78730-1006 | BLUE | BLUE | | | | | | | | |
| | 78730-1008 | BLUE | OFF-WHITE | | | | | | | | |
| | 78730-1007 | BLACK | BLUE | | | | | | | | |
| | 78730-2002 | BLACK | BLACK | YES | | | 0.38 MICROMETER (15 MICROINCH) MIN GOLD ON CONTACT 2.54 MICROMETER (100 MICROINCH) MIN TIN ON SOLDER TAILS 1.27 MICROMETER (50 MICROINCH) MIN NICKEL UNDERPLATE | | 1.0 MICROMETER (40 MICROINCH) MIN TIN OVERALL (PRE-PLATED) | PS-78730-002 | PK-78730-001 |
| | 78730-2003 | BLACK | OFF-WHITE | | | | | | | | |
| | 78730-2004 | OFF-WHITE | BLACK | | | | | | | | |
| | 78730-2005 | OFF-WHITE | OFF-WHITE | | | | | | | | |
| | 78730-2006 | BLUE | BLUE | | | | | | | | |
| | 78730-2008 | BLUE | OFF-WHITE | | | | | | | | |
| | 78730-2007 | BLACK | BLUE | | | | | | | | |
| | 78730-1152 | BLACK | BLACK | NO | 0.38 MICROMETER (15 MICROINCH) MIN GOLD ON CONTACT 2.54 MICROMETER (100 MICROINCH) MIN TIN ON SOLDER TAILS 1.27 MICROMETER (50 MICROINCH) MIN NICKEL UNDERPLATE | 1.0 MICROMETER (40 MICROINCH) MIN TIN OVERALL (PRE-PLATED) | | PS-78730-002 | | PK-78730-001 | |
| | 78730-1153 | BLACK | OFF-WHITE | | | | | | | | |
| | 78730-1154 | OFF-WHITE | BLACK | | | | | | | | |
| | 78730-1155 | OFF-WHITE | OFF-WHITE | | | | | | | | |
| | 78730-1156 | BLUE | BLUE | | | | | | | | |
| | 78730-1158 | BLUE | OFF-WHITE | | | | | | | | |
| | 78730-1157 | BLACK | BLUE | | | | | | | | |
| | 78730-2152 | BLACK | BLACK | YES | | | 0.38 MICROMETER (15 MICROINCH) MIN GOLD ON CONTACT 2.54 MICROMETER (100 MICROINCH) MIN TIN ON SOLDER TAILS 1.27 MICROMETER (50 MICROINCH) MIN NICKEL UNDERPLATE | 1.0 MICROMETER (40 MICROINCH) MIN TIN OVERALL (PRE-PLATED) | PS-78730-002 | | PK-78730-001 |
| | 78730-2153 | BLACK | OFF-WHITE | | | | | | | | |
| | 78730-2154 | OFF-WHITE | BLACK | | | | | | | | |
| | 78730-2155 | OFF-WHITE | OFF-WHITE | | | | | | | | |
| | 78730-2156 | BLUE | BLUE | | | | | | | | |
| | 78730-2158 | BLUE | OFF-WHITE | | | | | | | | |
| | 78730-2157 | BLACK | BLUE | | | | | | | | |

| | | | |
|---|--|---|--|
| SYMBOLS | | THIS DRAWING CONTAINS INFORMATION THAT IS PROPRIETARY TO MOLEX ELECTRONIC TECHNOLOGIES, LLC AND SHOULD NOT BE USED WITHOUT WRITTEN PERMISSION | |
| ▽ = 0 | DIMENSION UNITS | SCALE | CURRENT REV DESC: ADD NEW PN |
| ▽ = 0 | MM | NTS |  DDR4 DIMM, 0.85MM PITCH 288 CKTS, VERT SMT |
| ▽ = 0 | GENERAL TOLERANCES (UNLESS SPECIFIED) | | |
| ▽ = 0 | ANGULAR TOL ± 3.0° | | EC NO: 174465 |
| ▽ = 0 | 4 PLACES ± | | DRWN: CCV 2018/03/06 |
| ▽ = 0 | 3 PLACES ± | | CHK'D: SHLENI 2018/09/10 |
| ▽ = 0 | 2 PLACES ± 0.2 | | APPR: SHLENI 2018/09/10 |
| ▽ = 0 | 1 PLACE ± | | INITIAL REVISION: |
| ▽ = 0 | 0 PLACES ± | | DRWN: EKSOH 2016/03/08 |
| ▽ = 0 | DRAFT WHERE APPLICABLE MUST REMAIN WITHIN DIMENSIONS | | APPR: SHLENI 2012/05/09 |
| ▽ = 0 | THIRD ANGLE PROJECTION | | DOCUMENT NUMBER |
|  | | DRAWING | DOC TYPE |
| A3-SIZE | | SERIES | DOC PART |
| 78730 | | MATERIAL NUMBER | REVISION |
| SEE TABLE | | CUSTOMER | |
| GENERAL MARKET | | SHEET NUMBER | |
| 5 OF 5 | | | |