

# ST-Z0014 - Metal protective cap



1616069

<https://www.phoenixcontact.com/us/products/1616069>

Please be informed that the data shown in this PDF document is generated from our online catalog. Please find the complete data in the user documentation. Our general terms of use for downloads are valid.



Metal protective cap, M17, degree of protection: IP67, series: ST, Alternative product in accordance with RoHS II without Exemption 6c (Pb < 0.1 %) item no.: 1243010

## Commercial data

Item number	1616069
Packing unit	10 pc
Minimum order quantity	10 pc
Sales key	AB36
Product key	ABRGAA
Catalog page	Page 182 (C-2-2019)
GTIN	4046356553087
Weight per piece (including packing)	13.71 g
Weight per piece (excluding packing)	13.41 g
Customs tariff number	85389099
Country of origin	DE

# ST-Z0014 - Metal protective cap



1616069

<https://www.phoenixcontact.com/us/products/1616069>

## Technical data

### Product properties

Product type	Protective cap
Series	ST

### Environmental and real-life conditions

#### Ambient conditions

Degree of protection	IP67
----------------------	------

# ST-Z0014 - Metal protective cap

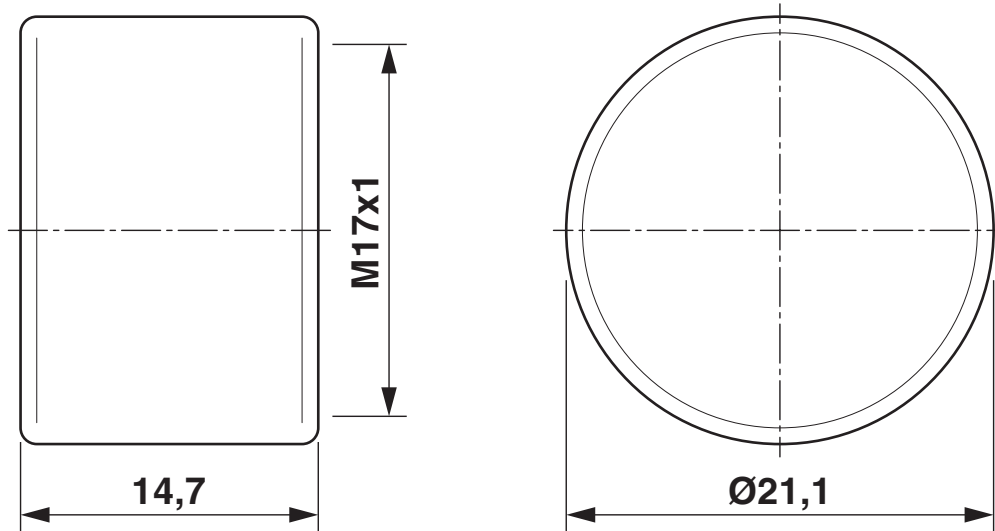
1616069

<https://www.phoenixcontact.com/us/products/1616069>



## Drawings

Dimensional drawing



Dimensional drawing

# ST-Z0014 - Metal protective cap



1616069

<https://www.phoenixcontact.com/us/products/1616069>

## Classifications

### ECLASS

ECLASS-11.0	27440208
ECLASS-13.0	27440208
ECLASS-12.0	27440208

### ETIM

ETIM 9.0	EC002314
----------	----------

### UNSPSC

UNSPSC 21.0	39121400
-------------	----------

# ST-Z0014 - Metal protective cap



1616069

<https://www.phoenixcontact.com/us/products/1616069>

## Environmental product compliance

### EU RoHS

Fulfills EU RoHS substance requirements	Yes
Exemption	6(c)

### China RoHS

Environment friendly use period (EFUP)	EFUP-50
	An article-related China RoHS declaration table can be found in the download area for the respective article under "Manufacturer declaration". For all articles with EFUP-E, no China RoHS declaration table issued and required.

### EU REACH SVHC

REACH candidate substance (CAS No.)	Lead(CAS: 7439-92-1)
SCIP	5465150c-45fa-4a82-826a-8344536500e7

Phoenix Contact 2024 © - all rights reserved

<https://www.phoenixcontact.com>

Phoenix Contact USA  
586 Fulling Mill Road  
Middletown, PA 17057, United States  
(+717) 944-1300  
[info@phoenixcon.com](mailto:info@phoenixcon.com)