

### 831370 With standard rotary action 831370 Part number made to order



- Action with a wire
- Very low operating force
- Long mechanical life

#### Part numbers

	Type	Function	Connections
<b>MADE TO ORDER</b>	With standard rotary action 831370	I (changeover)	W2

#### Specifications

##### Electrical characteristics

Rating nominal / 250 VAC (A)	5
Rating thermal / 250 VAC (A)	14

##### Mechanical characteristics

maximum operating force N cm	0.12
Minimum release torque N cm	0.03
Overtravel torque N cm	0.5
Pre-travel- maximum (°)	26
Maximum differential travel (°)	14
Min. overtravel (°)	12
Ambient operating temperature (°C)	-20 → +125
Mechanical life (operations)	10 <sup>7</sup>
Contact gap (mm)	0,8
Weight (g)	7,2

#### Additional specifications

##### Components

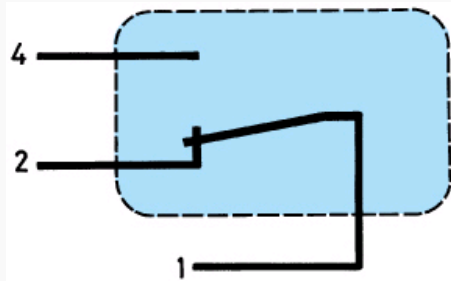
###### Material

- Case : polyamide.
- Contacts : silver.

###### Lever

- Stainless steel wire.

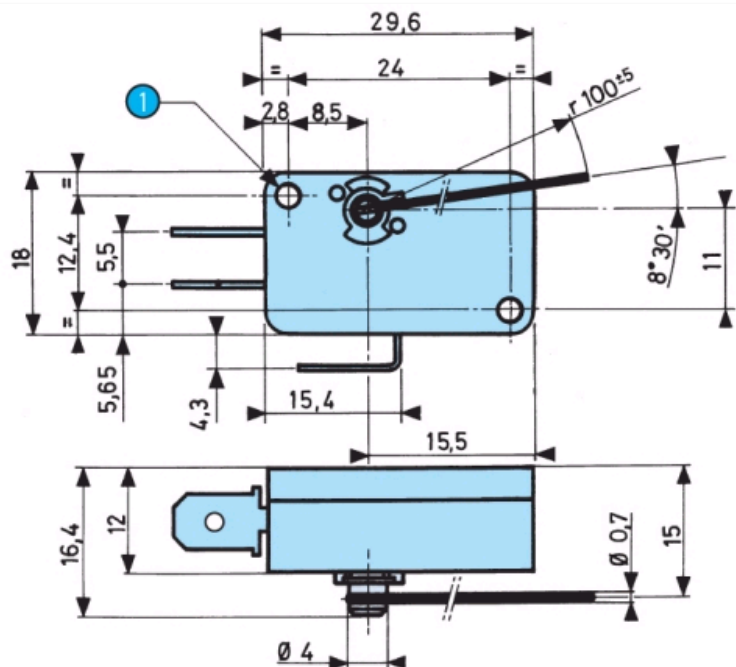
#### Principles



#### Dimensions (mm)

##### Product

831370

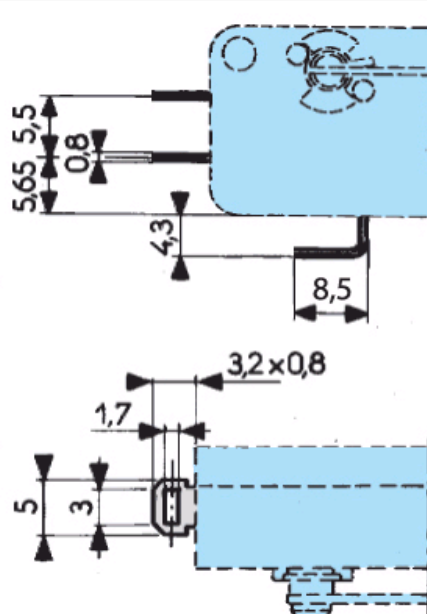


N°	Legend
①	2 holes Ø 3.2

#### Dimensions (mm)

#### Connections

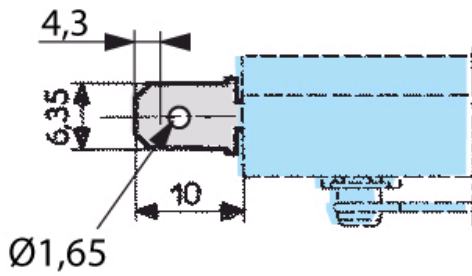
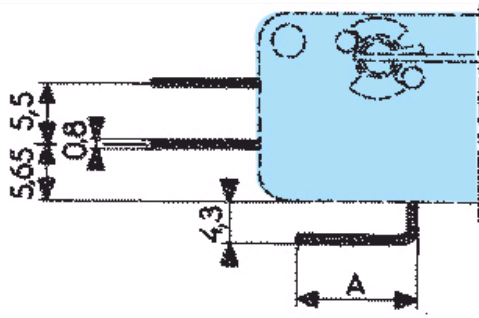
W2 solder



#### Dimensions (mm)

#### Connections

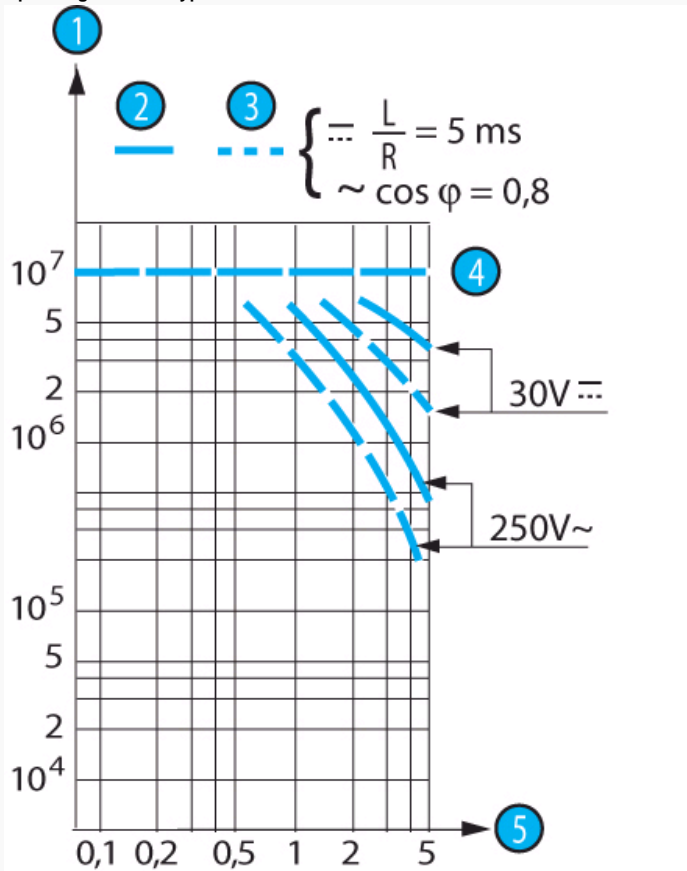
W3 for 6.35 mm clips



A = 11.3

Curves

Operating curve for type 831370



N°	Legend
1	Number of cycles
2	Resistive circuit

①	Inductive circuit
②	Mechanical life limit
③	Current in Amps

#### Other information

##### Mounting - Operation

See basic technical concepts

#### Product adaptations



- Special levers
- UL approval

# Mouser Electronics

Authorized Distributor

Click to View Pricing, Inventory, Delivery & Lifecycle Information:

Crouzet:

[831370A3.W](#) [831375C2.W](#) [831370A3.W.G](#) [831370C2.W](#) [831370C3.W](#) [831370C6.W](#) [831375C3.W](#)