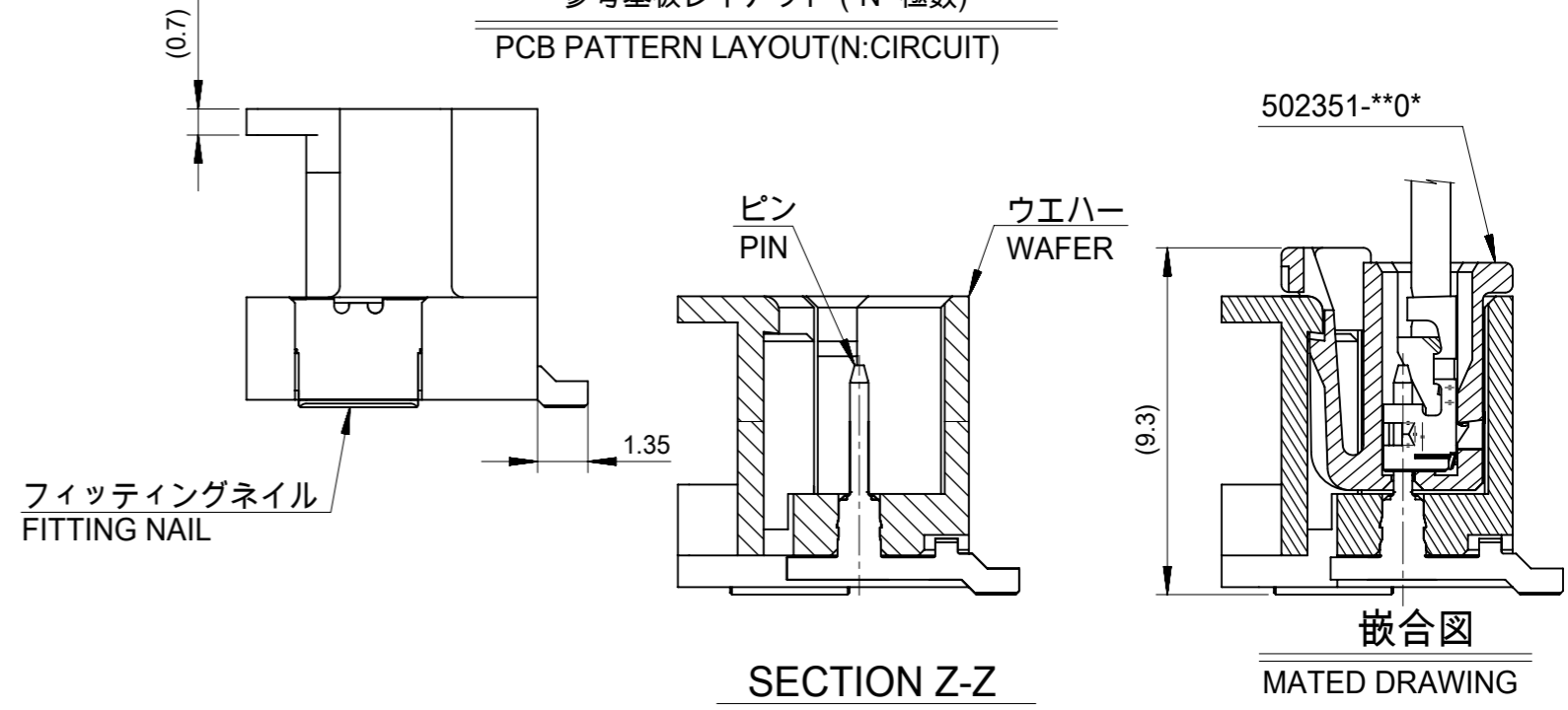
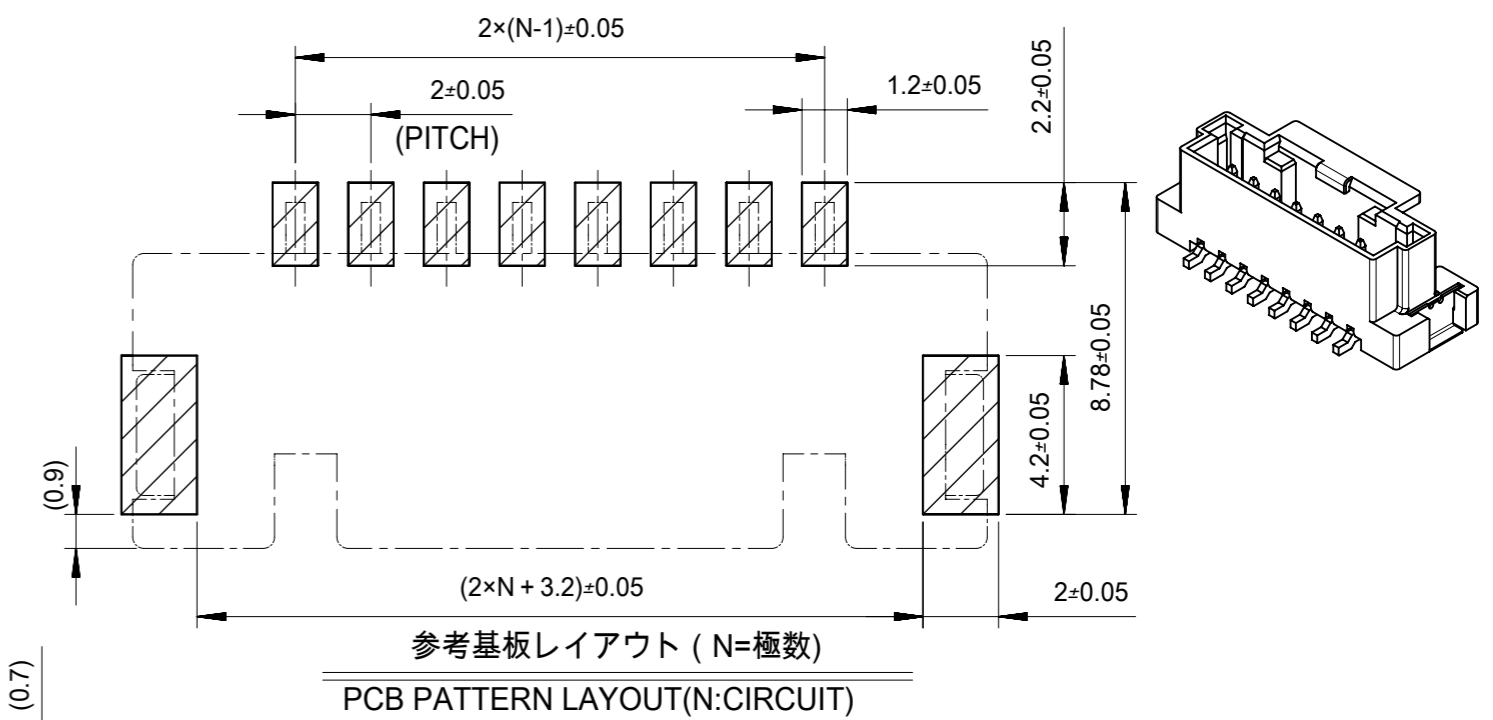


8CKTS



注記
NOTES

- 材質
ウエハー: 耐熱性ナイロン UL94V-0
ピン: 銅合金、ニッケル下地、錫メッキ、金メッキ
フィッティングネール: 銅合金、ニッケル下地、錫メッキ
MATERIAL
WAFER: POLYAMIDE UL94V-0
PIN: COPPER ALLOY, GOLD OR TIN OVER NICKEL PLATE.
FINNTING NAIL: COPPER ALLOY, TIN OVER NICKEL PLATE.
- 色: ナチュラル、黒、赤、青
COLOR: NATURAL, BLACK, RED, BLUE
- 嵌合相手:
ハウジング: 502351-**0*
錫メッキ端子: 50212-8*00, 50372-8*00, 560085-0101
金メッキ端子: 56161-8*81
MATES WITH
HOUSING: 502351-**0*
SN PLATING TERMINAL: 50212-8*00, 50372-8*00, 560085-0101
AU PLATING TERMINAL: 56161-8*81

- インボス梱包品の詳細はSD-560020-002参照
DETAILED TAPING PACKAGE, SEE SD-560020-002
- 半田付け面のコプラナリティ: 0.1mm MAX.
CO-PLANARITY OF SOLDER TAILS TO BE 0.1mm MAX.
- 一般公差
GENERAL TOLERANCES
10 UNDER: ±0.2
10 OVER 30 UNDER: ±0.25
30 OVER: ±0.3
ANGULAR: ±1°

INITIAL REVISION:

DRWN	SHSHIBATA	2009/02/18
CHECK	HKOMATSU	2009/02/18
APPR	AKANESHIGE	2009/02/18

FUNCTIONAL SYMBOLS	THIS DRAWING CONTAINS INFORMATION THAT IS PROPRIETARY TO MOLEX ELECTRONIC TECHNOLOGIES, LLC AND SHOULD NOT BE USED WITHOUT WRITTEN PERMISSION		SCALE		CURRENT REV DESC:
	mm	5:1			
DIVISIONAL SYMBOLS	GENERAL TOLERANCES (UNLESS SPECIFIED)				EC NO: 635305 DRWN: MUNEMOTO 2020/04/02 CHK'D: HIJIMA 2020/04/03 APPR: TOSADA 2020/04/06
	4 PLACES	±	MM	INCH	
FUNCTIONAL SYMBOLS	3 PLACES	±			INITIAL REVISION: DRWN: DRAWN BY 0099/99/99 APPR: APPR BY 0099/99/99
	2 PLACES	±			
	1 PLACE	±			
	0 PLACES	±			
	ANGULAR TOL	±	°		
DRAFT WHERE APPLICABLE MUST REMAIN WITHIN DIMENSIONS		THIRD ANGLE PROJECTION		DRAWING	SERIES
				A3-SIZE	560020
DOCUMENT STATUS		P1	RELEASE DATE	2020/04/06	00:33:42

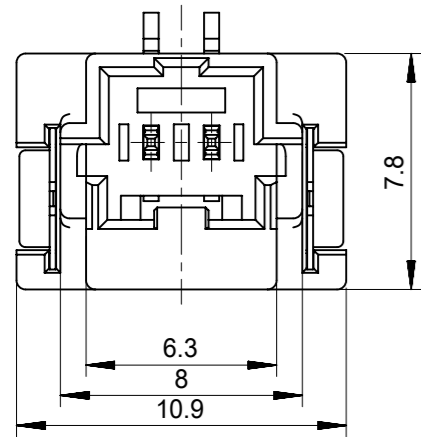
molex

2.0MM PITCH W/B CONN.
WAFER ASSY ST. SMT

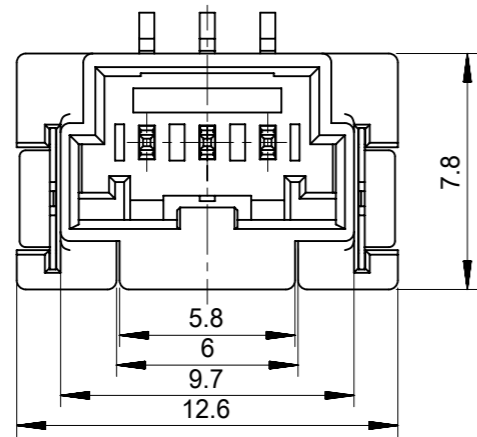
PRODUCT CUSTOMER DRAWING

DOCUMENT NUMBER	DOC TYPE	DOC PART	REVISION
SD-560020-001	PSD	001	K

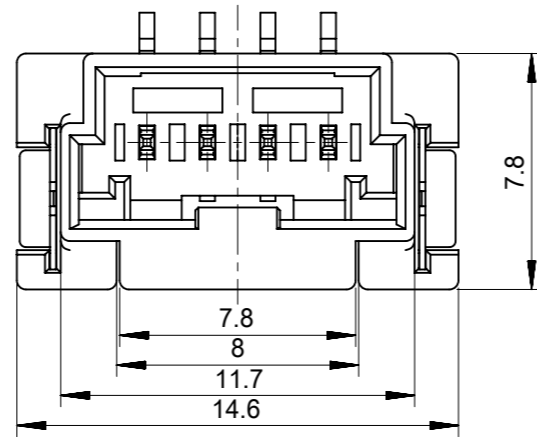
MATERIAL NUMBER: GENERAL MARKET
CUSTOMER: GENERAL MARKET
SHEET NUMBER: 1 OF 4



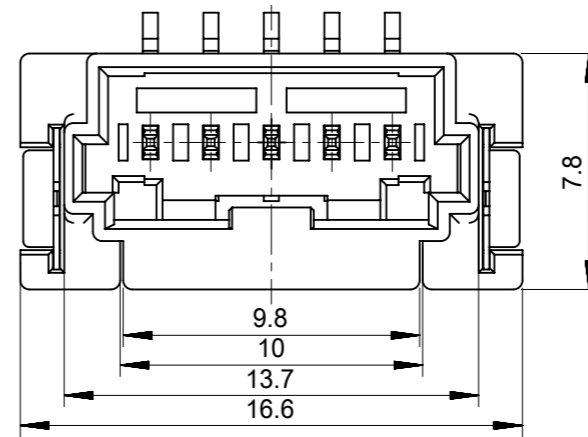
2CKTS



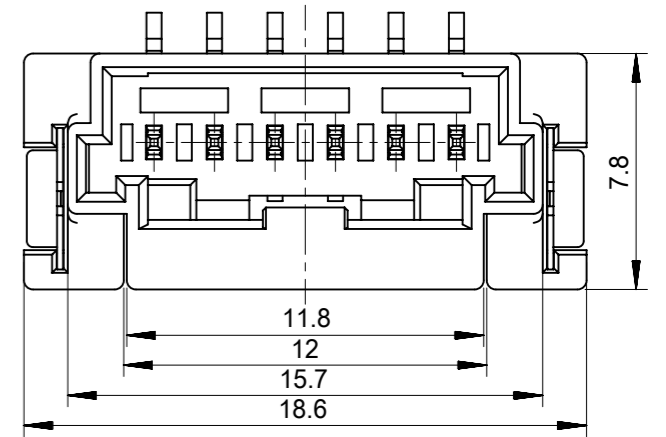
3CKTS



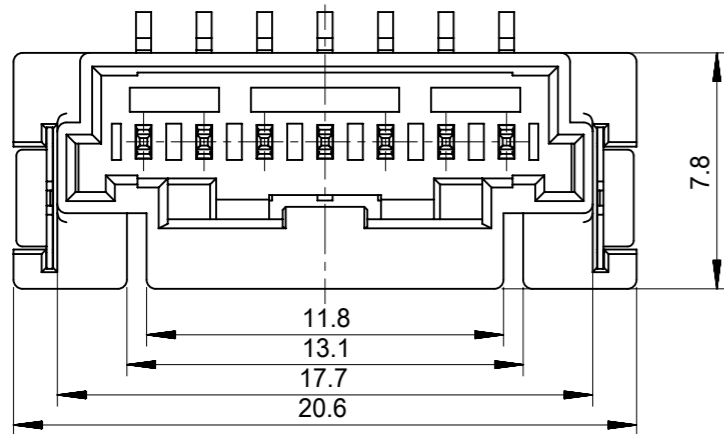
4CKTS



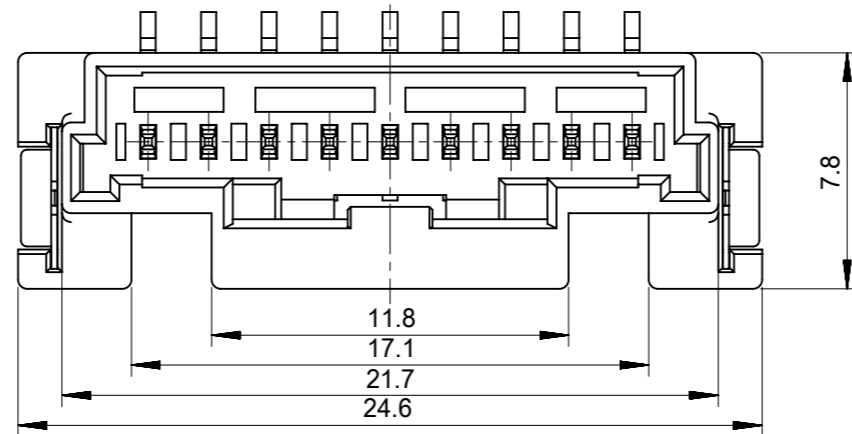
5CKTS



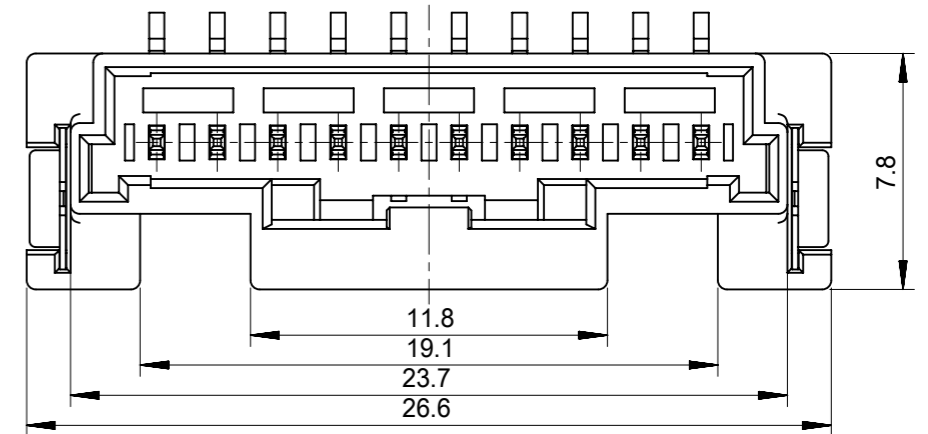
6CKTS



7CKTS



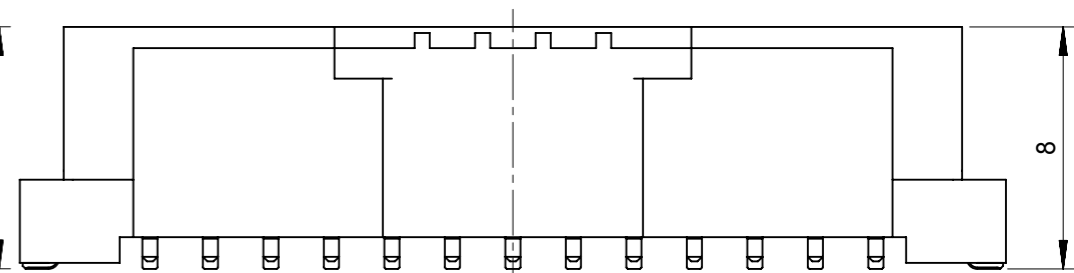
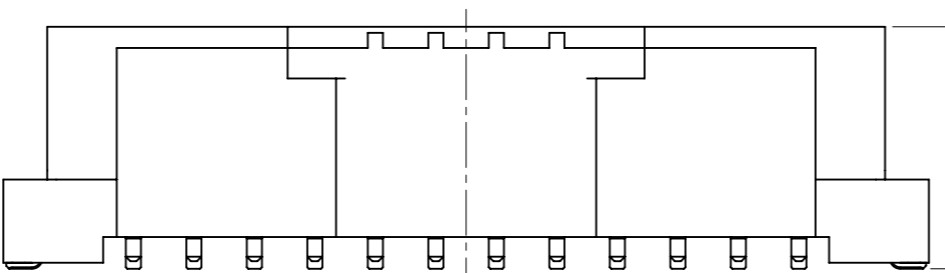
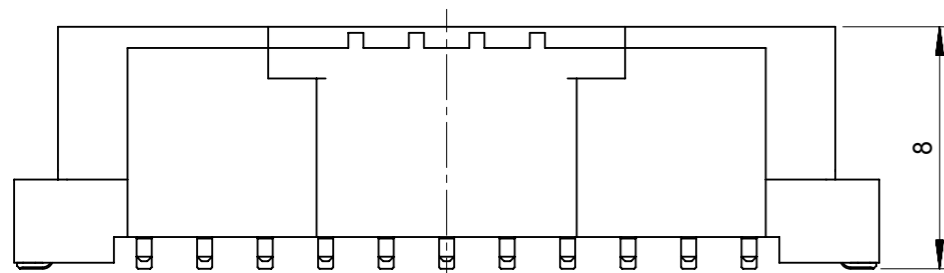
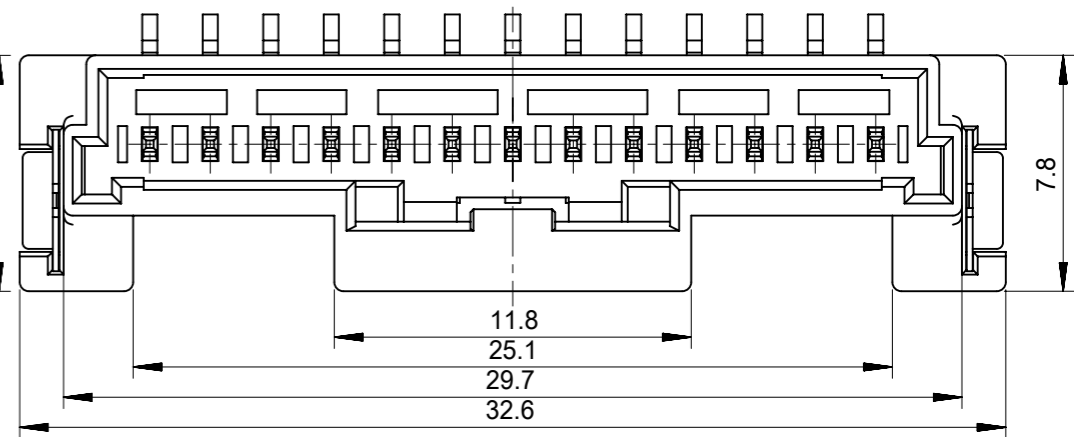
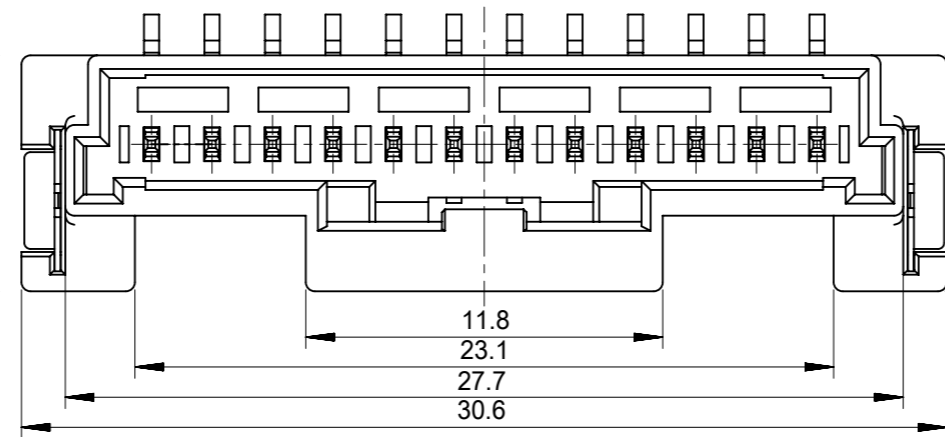
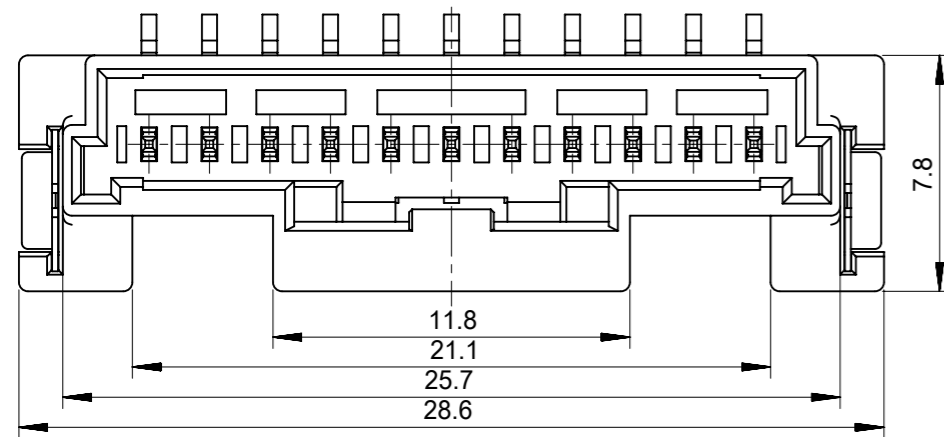
9CKTS



10CKTS

INITIAL REVISION:
 DRWN SHSHIBATA 2009/02/18
 CHECK HKOMATSU 2009/02/18
 APPR AKANESHIGE 2009/02/18

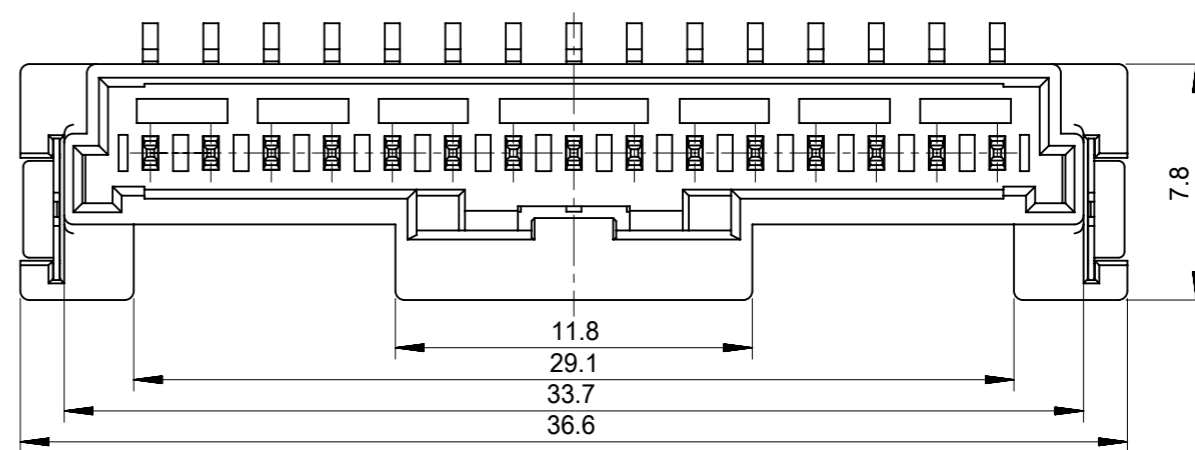
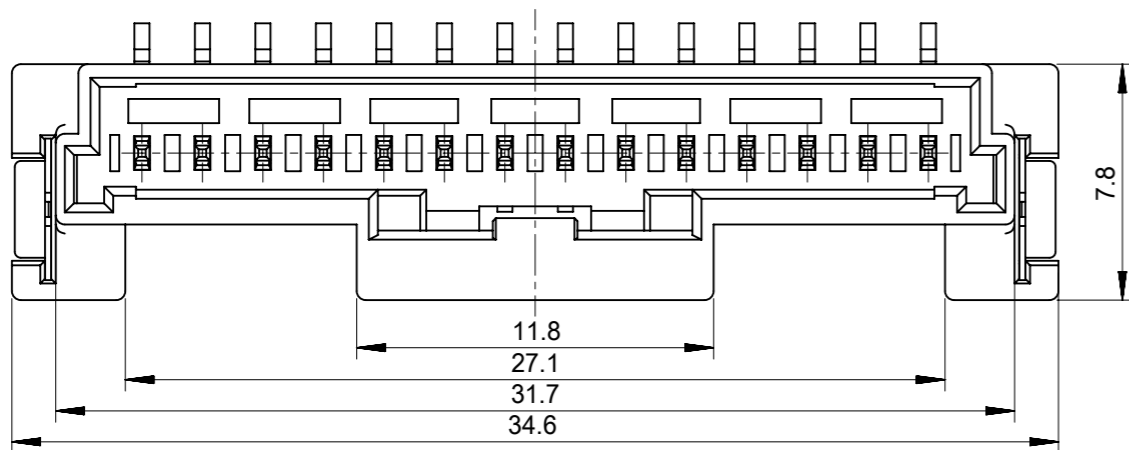
FUNCTIONAL SYMBOLS FA=0 FB=0 FC=0	THIS DRAWING CONTAINS INFORMATION THAT IS PROPRIETARY TO MOLEX ELECTRONIC TECHNOLOGIES, LLC AND SHOULD NOT BE USED WITHOUT WRITTEN PERMISSION	SCALE 4:1		CURRENT REV DESC:	
	GENERAL TOLERANCES (UNLESS SPECIFIED)		EC NO: 635305		
DIVISIONAL SYMBOLS	MM INCH		DRWN: MUNEMOTO 2020/04/02		2020/04/03
	4 PLACES ±		CHK'D: HIJIMA		
3 PLACES ±		APPR: TOSADA		2020/04/06	
2 PLACES ±		INITIAL REVISION:		DOCUMENT NUMBER	
1 PLACE ±		DRWN: DRAWN BY		SD-560020-001	
0 PLACES ±		APPR: APPR BY		DOC TYPE DOC PART REVISION	
ANGULAR TOL ± °		THIRD ANGLE PROJECTION		PSD 001 K	
DRAFT WHERE APPLICABLE MUST REMAIN WITHIN DIMENSIONS		DRAWING A3-SIZE		SERIES 560020	
		MATERIAL NUMBER		CUSTOMER GENERAL MARKET	
		SHEET NUMBER		2 OF 4	



11CKTS

12CKTS

13CKTS



14CKTS

15CKTS

INITIAL REVISION:
 DRWN SHSHIBATA 2009/02/18
 CHECK HKOMATSU 2009/02/18
 APPR AKANESHIGE 2009/02/18

FUNCTIONAL SYMBOLS $\nabla_A = 0$ $\nabla_F = 0$ $\nabla_P = 0$	THIS DRAWING CONTAINS INFORMATION THAT IS PROPRIETARY TO MOLEX ELECTRONIC TECHNOLOGIES, LLC AND SHOULD NOT BE USED WITHOUT WRITTEN PERMISSION		CURRENT REV DESC: EC NO: 635305 DRWN: MUNEMOTO 2020/04/02 CHK'D: HIJIMA 2020/04/03 APPR: TOSADA 2020/04/06																						
	DIMENSION UNITS SCALE mm 4:1																								
	GENERAL TOLERANCES (UNLESS SPECIFIED) <table border="1"> <thead> <tr> <th></th> <th>MM</th> <th>INCH</th> </tr> </thead> <tbody> <tr> <td>4 PLACES</td> <td>±</td> <td>±</td> </tr> <tr> <td>3 PLACES</td> <td>±</td> <td>±</td> </tr> <tr> <td>2 PLACES</td> <td>±</td> <td>±</td> </tr> <tr> <td>1 PLACE</td> <td>±</td> <td>±</td> </tr> <tr> <td>0 PLACES</td> <td>±</td> <td>±</td> </tr> </tbody> </table>			MM	INCH	4 PLACES	±	±	3 PLACES	±	±	2 PLACES	±	±	1 PLACE	±	±	0 PLACES	±	±	INITIAL REVISION: DRWN: DRAWN BY 0099/99/99 APPR: APPR BY 0099/99/99			PRODUCT CUSTOMER DRAWING DOCUMENT NUMBER DOC TYPE DOC PART REVISION SD-560020-001 PSD 001 K	
	MM	INCH																							
4 PLACES	±	±																							
3 PLACES	±	±																							
2 PLACES	±	±																							
1 PLACE	±	±																							
0 PLACES	±	±																							
DIVISIONAL SYMBOLS DRAFT WHERE APPLICABLE MUST REMAIN WITHIN DIMENSIONS		THIRD ANGLE PROJECTION 			DRAWING SERIES MATERIAL NUMBER CUSTOMER SHEET NUMBER A3-SIZE 560020 GENERAL MARKET 3 OF 4																				

Sn NATURAL	11.8	29.1	33.7	36.6	560020-1520	15
	11.8	27.1	31.7	34.6	560020-1420	14
	11.8	25.1	29.7	32.6	560020-1320	13
	11.8	23.1	27.7	30.6	560020-1220	12
	11.8	21.1	25.7	28.6	560020-1120	11
	11.8	19.1	23.7	26.6	560020-1020	10
	11.8	17.1	21.7	24.6	560020-0920	9
	11.8	15.1	19.7	22.6	560020-0820	8
	11.8	13.1	17.7	20.6	560020-0720	7
	11.8	12	15.7	18.6	560020-0620	6
	9.8	10	13.7	16.6	560020-0520	5
	7.8	8	11.7	14.6	560020-0420	4
	5.8	6	9.7	12.6	560020-0320	3
	6.3	/	8.0	10.9	560020-0220	2
PLATING COLOR	D	C	B	A	EMBOSSED PACKAGE ORDER NO.	CKTS
CONNECTOR SERIES NO. 560020-**08						

Au NATURAL	11.8	29.1	33.7	36.6	560020-1530	15
	11.8	27.1	31.7	34.6	560020-1430	14
	11.8	25.1	29.7	32.6	560020-1330	13
	11.8	23.1	27.7	30.6	560020-1230	12
	11.8	21.1	25.7	28.6	560020-1130	11
	11.8	19.1	23.7	26.6	560020-1030	10
	11.8	17.1	21.7	24.6	560020-0930	9
	11.8	15.1	19.7	22.6	560020-0830	8
	11.8	13.1	17.7	20.6	560020-0730	7
	11.8	12	15.7	18.6	560020-0630	6
	9.8	10	13.7	16.6	560020-0530	5
	7.8	8	11.7	14.6	560020-0430	4
	5.8	6	9.7	12.6	560020-0330	3
	6.3	/	8.0	10.9	560020-0230	2
PLATING COLOR	D	C	B	A	EMBOSSED PACKAGE ORDER NO.	CKTS
CONNECTOR SERIES NO. 560020-**18						

Sn BLACK	11.8	29.1	33.7	36.6	560020-1521	15
	11.8	27.1	31.7	34.6	560020-1421	14
	11.8	25.1	29.7	32.6	560020-1321	13
	11.8	23.1	27.7	30.6	560020-1221	12
	11.8	21.1	25.7	28.6	560020-1121	11
	11.8	19.1	23.7	26.6	560020-1021	10
	11.8	17.1	21.7	24.6	560020-0921	9
	11.8	15.1	19.7	22.6	560020-0821	8
	11.8	13.1	17.7	20.6	560020-0721	7
	11.8	12	15.7	18.6	560020-0621	6
	9.8	10	13.7	16.6	560020-0521	5
	7.8	8	11.7	14.6	560020-0421	4
	5.8	6	9.7	12.6	560020-0321	3
	6.3	/	8.0	10.9	560020-0221	2
PLATING COLOR	D	C	B	A	EMBOSSED PACKAGE ORDER NO.	CKTS
CONNECTOR SERIES NO. 560020-**28						

Sn RED	/	/	/	/	/	15
	/	/	/	/	/	14
	/	/	/	/	/	13
	/	/	/	/	/	12
	/	/	/	/	/	11
	/	/	/	/	/	10
	/	/	/	/	/	9
	11.8	15.1	19.7	22.6	560020-0822	8
	/	/	/	/	/	7
	11.8	12	15.7	18.6	560020-0622	6
	/	/	/	/	/	5
	7.8	8	11.7	14.6	560020-0422	4
	5.8	6	9.7	12.6	560020-0322	3
	6.3	/	8.0	10.9	560020-0222	2
PLATING COLOR	D	C	B	A	EMBOSSED PACKAGE ORDER NO.	CKTS
CONNECTOR SERIES NO. 560020-**48						

Sn BLUE	/	/	/	/	/	15
	/	/	/	/	/	14
	/	/	/	/	/	13
	/	/	/	/	/	12
	/	/	/	/	/	11
	/	/	/	/	/	10
	/	/	/	/	/	9
	11.8	15.1	19.7	22.6	560020-0823	8
	/	/	/	/	/	7
	11.8	12	15.7	18.6	560020-0623	6
	/	/	/	/	/	5
	7.8	8	11.7	14.6	560020-0423	4
	5.8	6	9.7	12.6	560020-0323	3
	6.3	/	8.0	10.9	560020-0223	2
PLATING COLOR	D	C	B	A	EMBOSSED PACKAGE ORDER NO.	CKTS
CONNECTOR SERIES NO. 560020-**68						

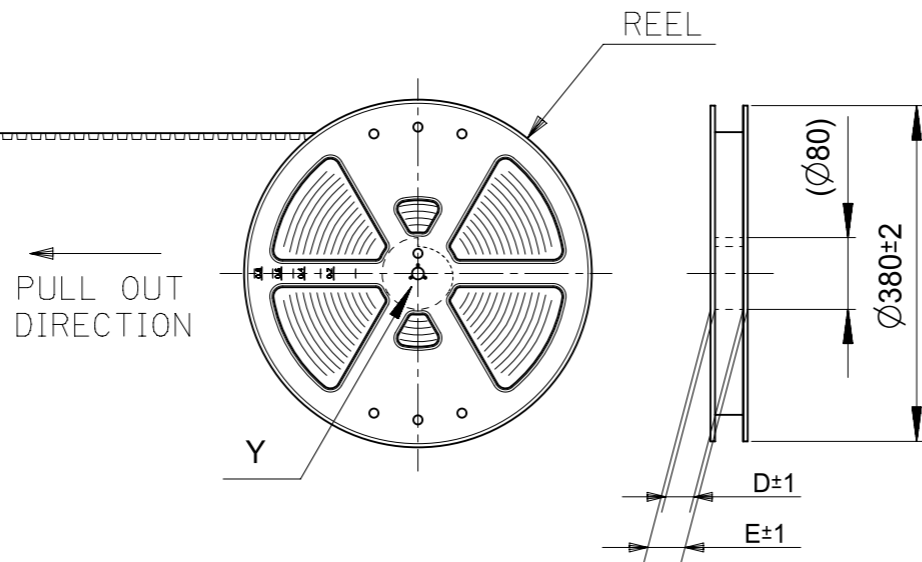
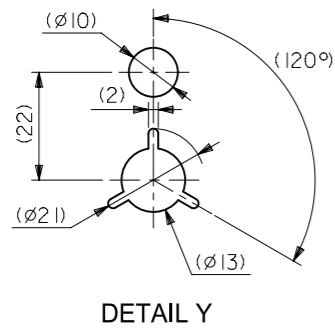
INITIAL REVISION:
 DRWN SHSHIBATA 2009/02/18
 CHECK HKOMATSU 2009/02/18
 APPR AKANESHIGE 2009/02/18

FUNCTIONAL SYMBOLS		THIS DRAWING CONTAINS INFORMATION THAT IS PROPRIETARY TO MOLEX ELECTRONIC TECHNOLOGIES, LLC AND SHOULD NOT BE USED WITHOUT WRITTEN PERMISSION	
FA = 0	mm	SCALE 1:1	CURRENT REV DESC:
FB = 0	GENERAL TOLERANCES (UNLESS SPECIFIED)		
FC = 0	MM INCH		
DIVISIONAL SYMBOLS		4 PLACES ±	EC NO: 635305
		3 PLACES ±	DRWN: MUNEMOTO 2020/04/02
		2 PLACES ±	CHK'D: HIJIMA 2020/04/03
		1 PLACE ±	APPR: TOSADA 2020/04/06
		0 PLACES ±	INITIAL REVISION:
		ANGULAR TOL ± °	DRWN: DRAWN BY 0099/99/99
DRAFT WHERE APPLICABLE MUST REMAIN WITHIN DIMENSIONS		THIRD ANGLE PROJECTION	APPR: APPR BY 0099/99/99
		DRAWING A3-SIZE	SERIES 560020
		MATERIAL NUMBER	CUSTOMER GENERAL MARKET
		DOCUMENT NUMBER SD-560020-001	DOC TYPE PSD
		DOC PART 001	REVISION K
		SHEET NUMBER 4 OF 4	



2.0MM PITCH W/B CONN.
 WAFER ASSY ST. SMT

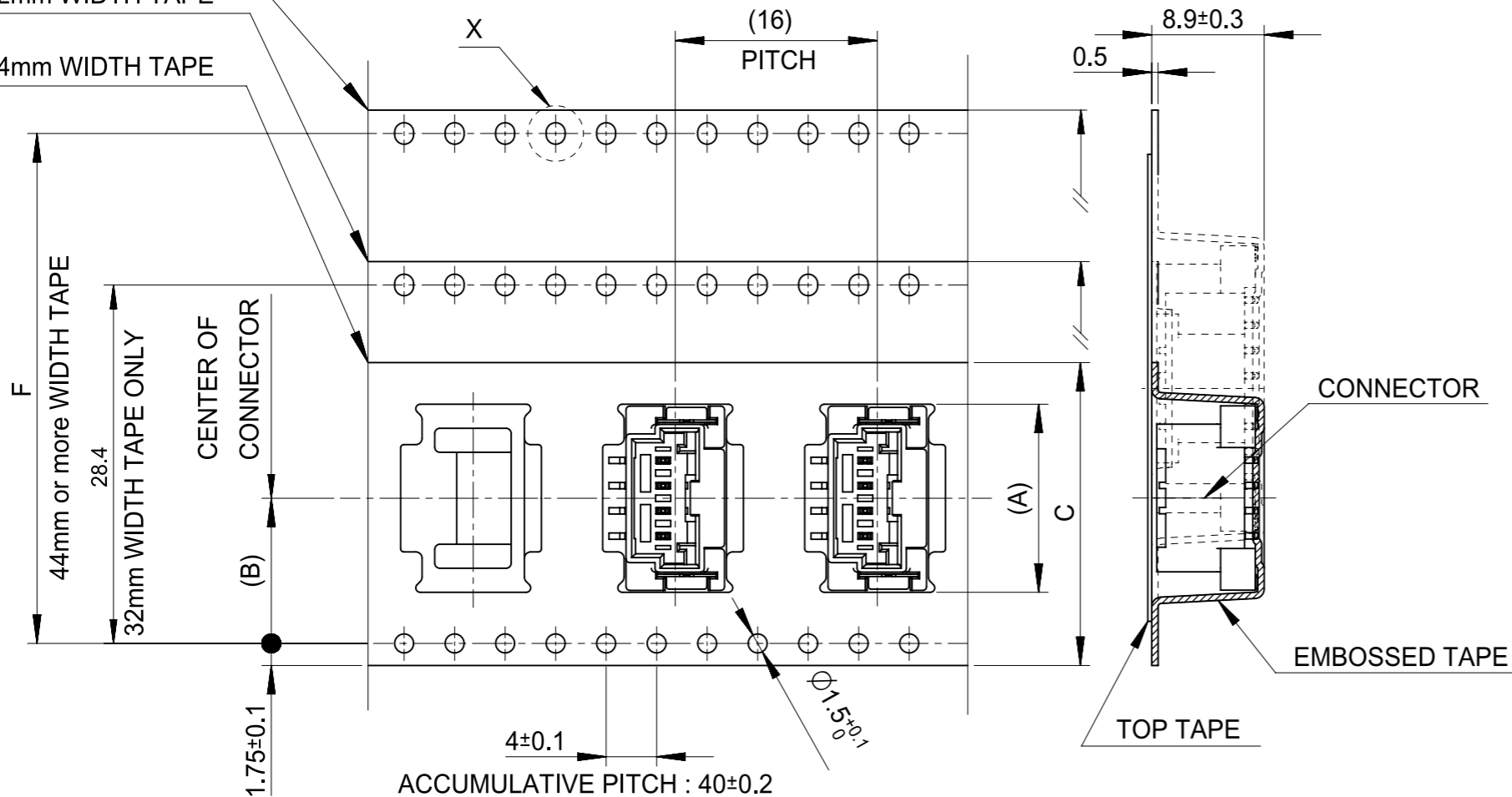
PRODUCT CUSTOMER DRAWING



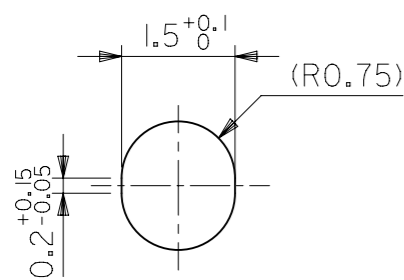
44mm or more
WIDTH TAPE

32mm WIDTH TAPE

24mm WIDTH TAPE



PULL OUT DIRECTION
DIRECTION OF CONNECTOR
IN EMBOSSED TAPE



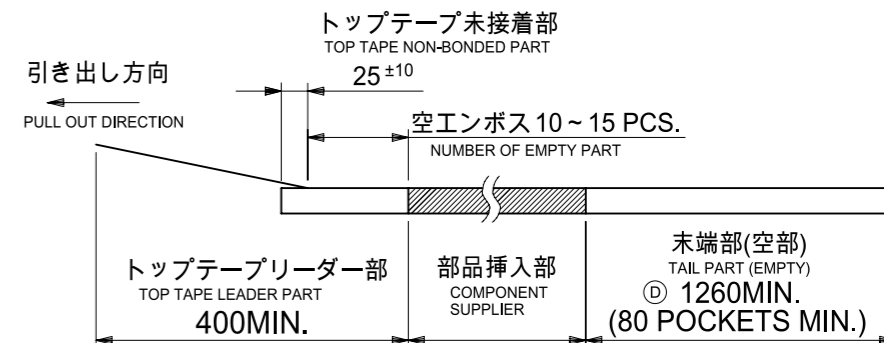
DETAIL X
(SCALE 10:1)

NOTES

- 製品番号:
 ナチュラル・錫めっき 560020-**20
 ナチュラル・金めっき 560020-**30
 黒・錫めっき 560020-**21
 赤・錫めっき 560020-**22
 青・錫めっき 560020-**23
 詳細寸法については、製品単体図面を参照ください。

PART NO.
 NATURAL・Sn Plating 560020-**20
 NATURAL・Au Plating 560020-**30
 BLACK・Sn Plating 560020-**21
 RED・Sn Plating 560020-**22
 BLUE・Sn Plating 560020-**23
 SEE SALES DRAWING FOR CONNECTOR

- 梱包数量: 650個/REEL
 NUMBER OF CONNECTORS 650 PCS/REEL
- リードテープ長さ
 LEAD TAPE LENGTH



- 材料
 MATERIAL
 キャリアテープ: ポリスチレン
 CARRIER TAPE: POLYSTYRENE
 トップテープ: PET, PE, PEF
 TOP TAPE: PET, PE, PEF
 リール: ポリスチレン
 REEL: POLYSTYRENE

- 一般公差
 GENERAL TOLERANCES
 10 UNDER: ±0.2
 10 OVER 30 UNDER: ±0.25
 30 OVER: ±0.3
 ANGULAR: ±1°

FUNCTIONAL SYMBOLS	THIS DRAWING CONTAINS INFORMATION THAT IS PROPRIETARY TO MOLEX ELECTRONIC TECHNOLOGIES, LLC AND SHOULD NOT BE USED WITHOUT WRITTEN PERMISSION		CURRENT REV DESC:		molex
	FA = 0	mm NTS	SCALE		
DIVISIONAL SYMBOLS	FE = 0	GENERAL TOLERANCES (UNLESS SPECIFIED)		PHASE:	PRODUCT SALES DRAWING
	FP = 0	MM INCH	4 PLACES ±	CO NO:	
		3 PLACES ±	DRWN: Hideo Yoneyama	2023-10-23	DOCUMENT NUMBER
		2 PLACES ±	CHK'D: Hiromichi Komatsu	2023-10-23	
		1 PLACE ±	APPR: Takashi Iida	2023-10-24	DOC TYPE
		0 PLACES ±	INITIAL REVISION:		DOC PART
		ANGULAR TOL ± 0.5°	DRWN: YTAMAKI	2014/05/23	REVISION
			APPR: MAYAMAMOTO	2014/06/30	F2
DRAFT WHERE APPLICABLE MUST REMAIN WITHIN DIMENSIONS		THIRD ANGLE PROJECTION	DRAWING	SERIES	MATERIAL NUMBER
			A3-SIZE	560020	CUSTOMER
					SEE CHART
					GENERAL MARKET
					SHEET NUMBER
					1 OF 2

Sn NATURAL	52.4	61.4	57.4	56	26.2	36.9	560020-1520	15
						34.9	560020-1420	14
						32.9	560020-1320	13
	40.4	49.4	45.4	44	20.2	30.9	560020-1220	12
						28.9	560020-1120	11
						26.9	560020-1020	10
						24.9	560020-0920	09
						22.9	560020-0820	08
						20.9	560020-0720	07
	28.4	37.4	33.4	32	14.2	18.9	560020-0620	06
						16.9	560020-0520	05
	/	29.4	25.4	24	11.5	14.9	560020-0420	04
						12.9	560020-0320	03
						11.2	560020-0220	02
	PLATING COLOR	F	E	D	C	(B)	(A)	エンボス梱包品 製品番号 EMBOSSED PACKAGE MATERIAL NO.

Au NATURAL	52.4	61.4	57.4	56	26.2	36.9	560020-1530	15
						34.9	560020-1430	14
						32.9	560020-1330	13
	40.4	49.4	45.4	44	20.2	30.9	560020-1230	12
						28.9	560020-1130	11
						26.9	560020-1030	10
						24.9	560020-0930	09
						22.9	560020-0830	08
						20.9	560020-0730	07
	28.4	37.4	33.4	32	14.2	18.9	560020-0630	06
						16.9	560020-0530	05
	/	29.4	25.4	24	11.5	14.9	560020-0430	04
						12.9	560020-0330	03
						11.2	560020-0230	02
	PLATING COLOR	F	E	D	C	(B)	(A)	エンボス梱包品 製品番号 EMBOSSED PACKAGE MATERIAL NO.

Sn BLACK	52.4	61.4	57.4	56	26.2	36.9	560020-1521	15
						34.9	560020-1421	14
						32.9	560020-1321	13
	40.4	49.4	45.4	44	20.2	30.9	560020-1221	12
						28.9	560020-1121	11
						26.9	560020-1021	10
						24.9	560020-0921	09
						22.9	560020-0821	08
						20.9	560020-0721	07
	28.4	37.4	33.4	32	14.2	18.9	560020-0621	06
						16.9	560020-0521	05
	/	29.4	25.4	24	11.5	14.9	560020-0421	04
						12.9	560020-0321	03
						11.2	560020-0221	02
	PLATING COLOR	F	E	D	C	(B)	(A)	エンボス梱包品 製品番号 EMBOSSED PACKAGE MATERIAL NO.

Sn RED	/	/	/	/	/	15		
						14		
						13		
	40.4	49.4	45.4	44	20.2	12		
						11		
						10		
						9		
						8	22.9	560020-0822
						7		
	28.4	37.4	33.4	32	14.2	6	18.9	560020-0622
						5		
	/	29.4	25.4	24	11.5	4	14.9	560020-0422
						3	12.9	560020-0322
						2	11.2	560020-0222
	PLATING COLOR	F	E	D	C	(B)	(A)	エンボス梱包品 製品番号 EMBOSSED PACKAGE MATERIAL NO.

Sn BLUE	/	/	/	/	/	15		
						14		
						13		
	40.4	49.4	45.4	44	20.2	12		
						11		
						10		
						9		
						8	22.9	560020-0823
						7		
	28.4	37.4	33.4	32	14.2	6	18.9	560020-0623
						5		
	/	29.4	25.4	24	11.5	4	14.9	560020-0423
						3	12.9	560020-0323
						2	11.2	560020-0223
	PLATING COLOR	F	E	D	C	(B)	(A)	エンボス梱包品 製品番号 EMBOSSED PACKAGE MATERIAL NO.

FUNCTIONAL SYMBOLS	THIS DRAWING CONTAINS INFORMATION THAT IS PROPRIETARY TO MOLEX ELECTRONIC TECHNOLOGIES, LLC AND SHOULD NOT BE USED WITHOUT WRITTEN PERMISSION		CURRENT REV DESC:		molex
$\nabla_A = 0$ $\nabla_F = 0$ $\nabla_P = 0$	DIMENSION UNITS	SCALE	PHASE:		
	mm	NTS	CO NO:		PRODUCT SALES DRAWING
	GENERAL TOLERANCES (UNLESS SPECIFIED)		DRWN: Hideo Yoneyama 2023-10-23		
	MM INCH		CHK'D: Hiromichi Komatsu 2023-10-23		
DIVISIONAL SYMBOLS	4 PLACES ±	±	APPR: Takashi Iida 2023-10-24		DOCUMENT NUMBER SD-560020-003
	3 PLACES ±	±	INITIAL REVISION:		
	2 PLACES ±	±	DRWN: YTAMAKI 2014/05/23		DOC TYPE PSD
	1 PLACE ±	±	APPR: MAYAMAMOTO 2014/06/30		DOC PART 001
	0 PLACES ±	±	ANGULAR TOL ± 0.5°		REVISION F2
	DRAFT WHERE APPLICABLE MUST REMAIN WITHIN DIMENSIONS		THIRD ANGLE PROJECTION	DRAWING	SHEET NUMBER 2 OF 2
				A3-SIZE	
			SERIES	MATERIAL NUMBER	CUSTOMER
			560020	SEE CHART	GENERAL MARKET