

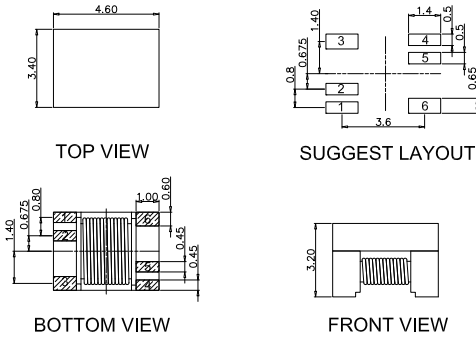


# SMD PULSE TRANSFORMER

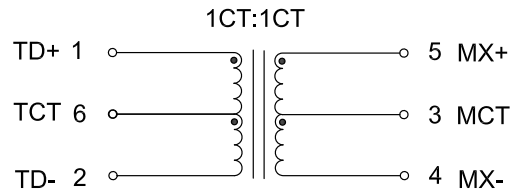
Meets IEEE 802.3ab Standards.  
Designed For 1G BASE-T Applications, Surface Mount Type.  
Operating Temperature Range: -40 °C to +85°C.  
RoHS Compliant.

Part Number	Electrical Specifications @25°C						
	Turns Ratio (±5%)	OCL(uH Min) @100KHz,0.1V With 8mA DC Bias	CWW(pF Max) @100KHz,0.1V	DCR (Ω Max)	Insertion Loss (dB Max)	Return Loss (dB Min)	HI-POT (Vrms)
GA050G00	1CT:1CT	240	35	4.0	-1.5@0.5-100MHz	-18@0.5-40MHz -17+10*Log(F/40) @40.1-100MHz	1500

## MECHANICAL

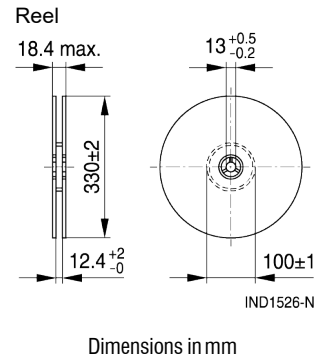
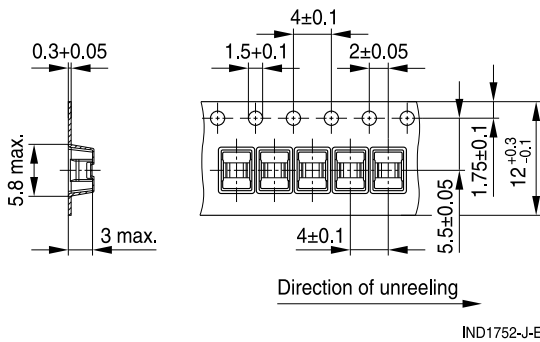


## SCHEMATICS



Unless otherwise specified all tolerances are:±0.25 in mm

## TAPING AND PACKING



Quantity (pcs):  
2400 PCS PER REEL  
5 REELS PER CARTON  
12000 PCS PER CARTON