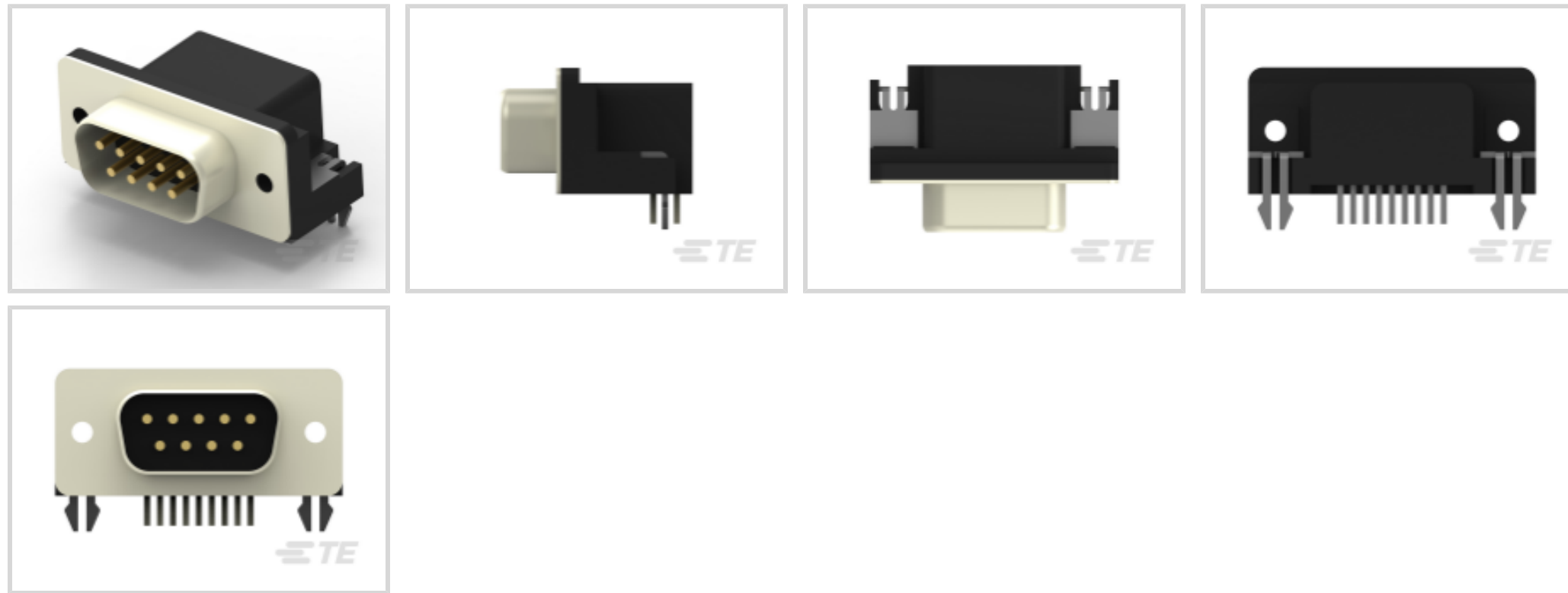




TE Internal #: 2301843-1  
 Plug, Wire-to-Board, 9 Position, 2.77 mm [.109 in] Centerline, 2  
 Row, 1 Connector Shell Size, Round, Standard Profile, PCB D-Sub  
 Connectors

[View on TE.com >](#)

Connectors > D-Shaped Connectors > D-Sub Connectors > PCB D-Sub Connectors



Connector & Housing Type: **Plug**  
 Connector System: **Wire-to-Board**  
 Number of Positions: **9**  
 Centerline (Pitch): **2.77 mm [.109 in]**  
 Number of Rows: **2**

**Features**

**Product Type Features**

|                                   |                       |
|-----------------------------------|-----------------------|
| Connector & Housing Type          | Plug                  |
| Connector System                  | Wire-to-Board         |
| Connector Shell Size              | 1                     |
| Connector & Contact Terminates To | Printed Circuit Board |

**Configuration Features**

|                       |             |
|-----------------------|-------------|
| Number of Positions   | 9           |
| Number of Rows        | 2           |
| PCB Mount Orientation | Right Angle |

**Body Features**

|                       |          |
|-----------------------|----------|
| Primary Product Color | Black    |
| Connector Profile     | Standard |

**Contact Features**

|                      |           |
|----------------------|-----------|
| Contact Options      | Installed |
| Contact Shape & Form | Round     |



|                              |     |
|------------------------------|-----|
| Contact Current Rating (Max) | 2 A |
|------------------------------|-----|

### Termination Features

|                           |                       |
|---------------------------|-----------------------|
| Termination Method to PCB | Through Hole - Solder |
|---------------------------|-----------------------|

### Mechanical Attachment

|                     |      |
|---------------------|------|
| PCB Mount Retention | With |
|---------------------|------|

|                          |           |
|--------------------------|-----------|
| PCB Mount Retention Type | Boardlock |
|--------------------------|-----------|

|                  |      |
|------------------|------|
| Mating Retention | With |
|------------------|------|

|                       |                            |
|-----------------------|----------------------------|
| Mating Retention Type | Threaded Inserts, 4-40 UNC |
|-----------------------|----------------------------|

|                         |             |
|-------------------------|-------------|
| Connector Mounting Type | Board Mount |
|-------------------------|-------------|

### Housing Features

|                  |        |
|------------------|--------|
| Housing Material | PBT GF |
|------------------|--------|

|                    |                   |
|--------------------|-------------------|
| Centerline (Pitch) | 2.77 mm [.109 in] |
|--------------------|-------------------|

### Dimensions

|                    |                   |
|--------------------|-------------------|
| Row-to-Row Spacing | 2.84 mm [.111 in] |
|--------------------|-------------------|

### Usage Conditions

|                             |                             |
|-----------------------------|-----------------------------|
| Operating Temperature Range | -55 – 105 °C [-67 – 221 °F] |
|-----------------------------|-----------------------------|

### Operation/Application

|                     |        |
|---------------------|--------|
| Circuit Application | Signal |
|---------------------|--------|

## Product Compliance

[For compliance documentation, visit the product page on TE.com>](#)

|                              |                           |
|------------------------------|---------------------------|
| EU RoHS Directive 2011/65/EU | Compliant with Exemptions |
|------------------------------|---------------------------|

|                             |           |
|-----------------------------|-----------|
| EU ELV Directive 2000/53/EC | Compliant |
|-----------------------------|-----------|

|                                               |                                      |
|-----------------------------------------------|--------------------------------------|
| China RoHS 2 Directive MIIT Order No 32, 2016 | Restricted Materials Above Threshold |
|-----------------------------------------------|--------------------------------------|

|                                        |                                                                                                                                                                       |
|----------------------------------------|-----------------------------------------------------------------------------------------------------------------------------------------------------------------------|
| EU REACH Regulation (EC) No. 1907/2006 | <p>Current ECHA Candidate List: JUNE 2024 (241)<br/> Candidate List Declared Against: JUNE 2024 (241)<br/> SVHC &gt; Threshold:<br/> Pb (2.33% in Component Part)</p> |
|----------------------------------------|-----------------------------------------------------------------------------------------------------------------------------------------------------------------------|

**Article Safe Usage Statements:**

Do not eat, drink or smoke when using this product. Wash thoroughly after handling. Recycle if possible and dispose of the article by following all applicable governmental regulations relevant to your geographic location.

|                 |                                                |
|-----------------|------------------------------------------------|
| Halogen Content | Not Low Halogen - contains Br or Cl > 900 ppm. |
|-----------------|------------------------------------------------|

|                           |                              |
|---------------------------|------------------------------|
| Solder Process Capability | Wave solder capable to 265°C |
|---------------------------|------------------------------|



Product Compliance Disclaimer

This information is provided based on reasonable inquiry of our suppliers and represents our current actual knowledge based on the information they provided. This information is subject to change. The part numbers that TE has identified as EU RoHS compliant have a maximum concentration of 0.1% by weight in homogenous materials for lead, hexavalent chromium, mercury, PBB, PBDE, DBP, BBP, DEHP, DIBP, and 0.01% for cadmium, or qualify for an exemption to these limits as defined in the Annexes of Directive 2011/65/EU (RoHS2). Finished electrical and electronic equipment products will be CE marked as required by Directive 2011/65/EU. Components may not be CE marked. Additionally, the part numbers that TE has identified as EU ELV compliant have a maximum concentration of 0.1% by weight in homogenous materials for lead, hexavalent chromium, and mercury, and 0.01% for cadmium, or qualify for an exemption to these limits as defined in the Annexes of Directive 2000/53/EC (ELV). Regarding the REACH Regulation, the information TE provides on SVHC in articles for this part number is based on the latest European Chemicals Agency (ECHA) 'Guidance on requirements for substances in articles' posted at this URL: <https://echa.europa.eu/guidance-documents/guidance-on-reach>

### Compatible Parts



TE Part # 2301844-1  
AMPL REC HD20, R/A, 9P, B/L,4-40 INS

### Customers Also Bought



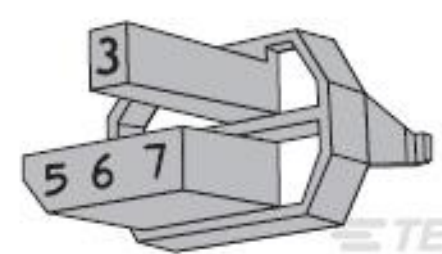
TE Part #4525-DS5A001DP  
PCB MOUNTED ANALOG PRESSURE SENSOR



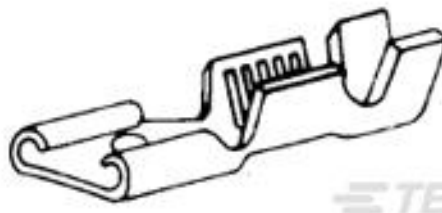
TE Part #1761681-7  
IDC LOW PRO HDR 20P VERT HT BLACK



TE Part #5-1440007-3  
TSC-124D3H,000



TE Part #5-100526-6  
Z-PACK F.CODING KEY




TE Part #63623-1  
RCPT AMVAR 250 FAST LIF 016BR



TE Part #8-2176370-0  
RQ 0603 2K87 0.1% 10PPM 5K RL



TE Part #BSA085N00480100000  
923 PLUG, SPEEDTEC



TE Part #3-1419106-0  
27E937=SOCKET,RK,8,PC,THPLAS,B

### Documents

Product Drawings

AMPL PLUG HD20, R/A, 9P, B/L,4-40 INS

English



### CAD Files

#### 3D PDF

3D

#### Customer View Model

[ENG\\_CVM\\_CVM\\_2301843-1\\_B1.3d\\_stp.zip](#)

English

#### Customer View Model

[ENG\\_CVM\\_CVM\\_2301843-1\\_B1.2d\\_dxf.zip](#)

English

#### Customer View Model

[ENG\\_CVM\\_CVM\\_2301843-1\\_B1.3d\\_igs.zip](#)

English

By downloading the CAD file I accept and agree to the [Terms and Conditions](#) of use.

### Product Specifications

#### Product Specification

English