

Customer Information Sheet

DRAWING No.: M22-636XXXXR

IF IN DOUBT - ASK

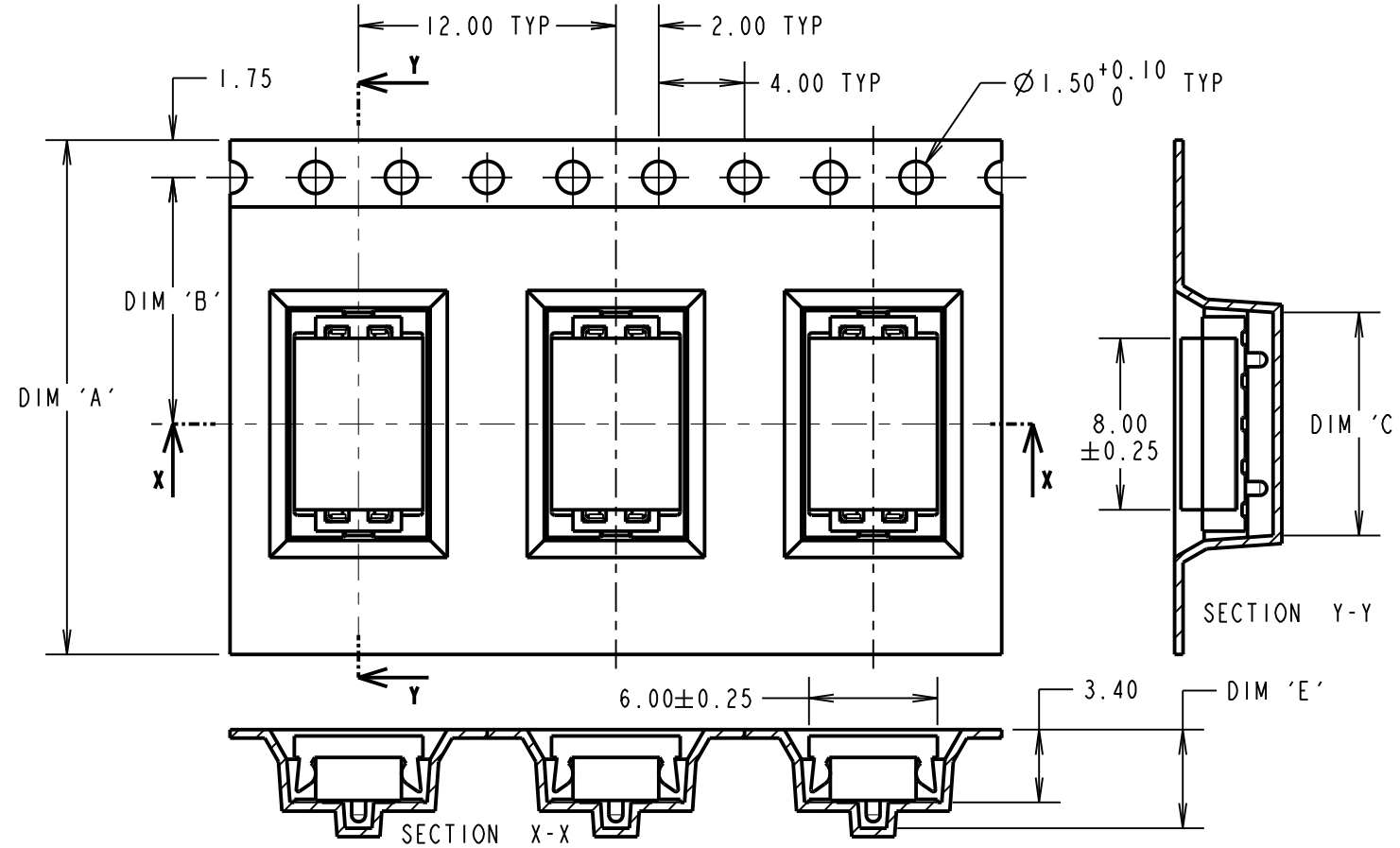
©

NOT TO SCALE

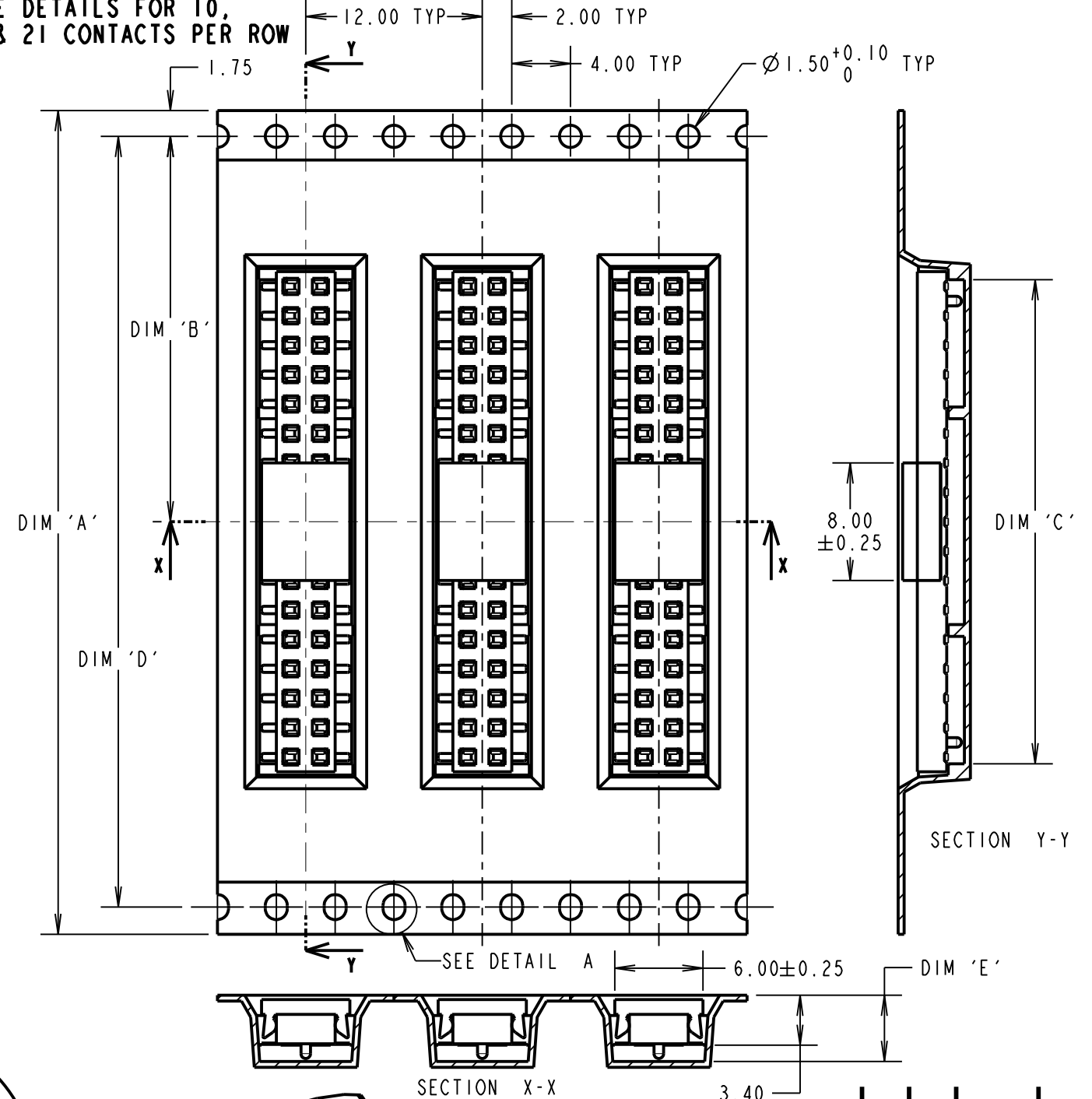
THIRD ANGLE PROJECTION

ALL DIMENSIONS IN mm

TAPE DETAILS FOR 03, 04, 05, 06 AND 07 CONTACTS PER ROW



TAPE DETAILS FOR 10, 12, 17 & 21 CONTACTS PER ROW



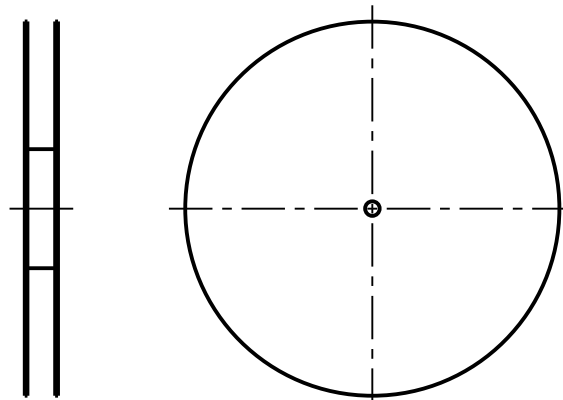
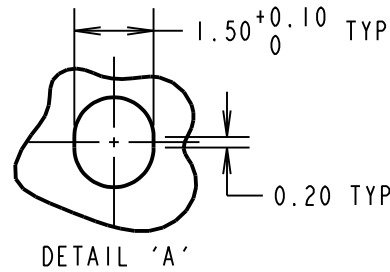
- NOTES:
- FOR CONNECTOR DETAILS SEE M22-636XXXX.
 - QUANTITY OF COMPONENTS PER REEL = 1200.
 - PICK & PLACE CAP LOCATED CENTRALLY ON COMPONENT.

ORDER CODE:

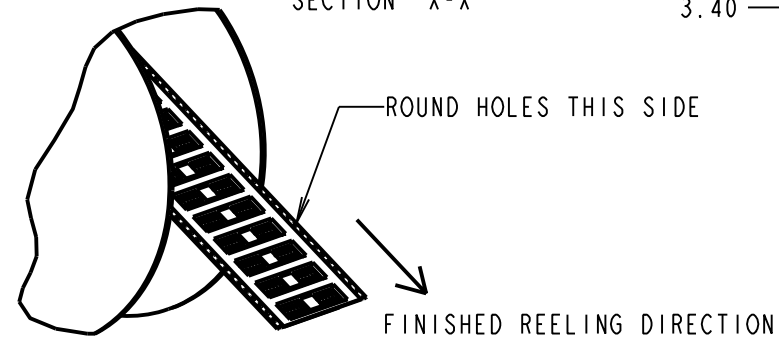
M22-636XXXXR

No. OF CONTACTS PER ROW:
03, 04, 05, 06, 07,
10, 12, 17, 21

FINISH:
42 - SELECTIVE GOLD FLASH & 100% TIN
46 - 100% TIN



REEL DETAILS



FINISHED REELING DIRECTION

PART No.	DIM 'A'	DIM 'B'	DIM 'C'	DIM 'D'	DIM 'E'
M22-63603XXR	16.00±0.30	7.50	6.40	N/A	4.40
M22-63604XXR			8.40		4.60
M22-63605XXR	24.00±0.30	11.50	10.40	N/A	4.50
M22-63606XXR			12.40		4.60
M22-63607XXR	32.00±0.30	14.20±0.15	14.40	28.40	4.60
M22-63610XXR			20.40		4.50
M22-63612XXR	56.00±0.30	26.20±0.15	24.40	52.40	4.60
M22-63617XXR			32.90		4.50
M22-63621XXR			42.40		4.60

HARWIN

www.harwin.com
technical@harwin.com

THIS DRAWING AND ANY INFORMATION OR DESCRIPTIVE MATTER SET OUT HEREON ARE CONFIDENTIAL AND COPYRIGHT PROPERTY OF THE HARWIN GROUP AND MUST NOT BE DISCLOSED, LOANED, COPIED OR USED FOR MANUFACTURING, TENDERING OR FOR ANY OTHER PURPOSE WITHOUT THEIR WRITTEN PERMISSION.

TOLERANCES

X. = ±1mm
X.X = ±0.50mm
X.XX = ±0.10mm
X.XXX = ±0.01mm
ANGLES = ±5°
UNLESS STATED

MATERIAL:

SEE NOTE 1

FINISH: SEE NOTE 1

S/AREA:

mm²

TITLE: 2mm PITCH DIL SMT VERTICAL LOW-PROFILE SOCKET (TAPE AND REEL)

DRAWING NUMBER:

M22-636XXXXR

MSP	12	22.08.17	20730
NAME	ISS.	DATE	C/NOTE
APPROVED: M.PERREN			
CHECKED: M.PLESTED			
DRAWN: W. J. BOURNE			
CUSTOMER REF.:			
ASSEMBLY DRG:			

Mouser Electronics

Authorized Distributor

Click to View Pricing, Inventory, Delivery & Lifecycle Information:

[Harwin:](#)

[M22-6360746R](#) [M22-6360442R](#) [M22-6360542R](#) [M22-6360646R](#) [M22-6361742R](#)