

# Customer Information Sheet

DRAWING No.: M80-501XXXX

SHEET 2 OF 2

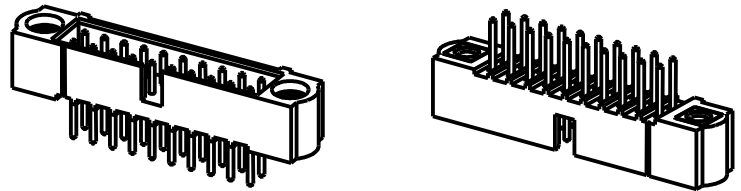
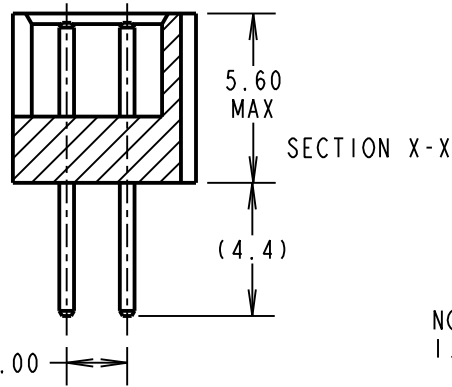
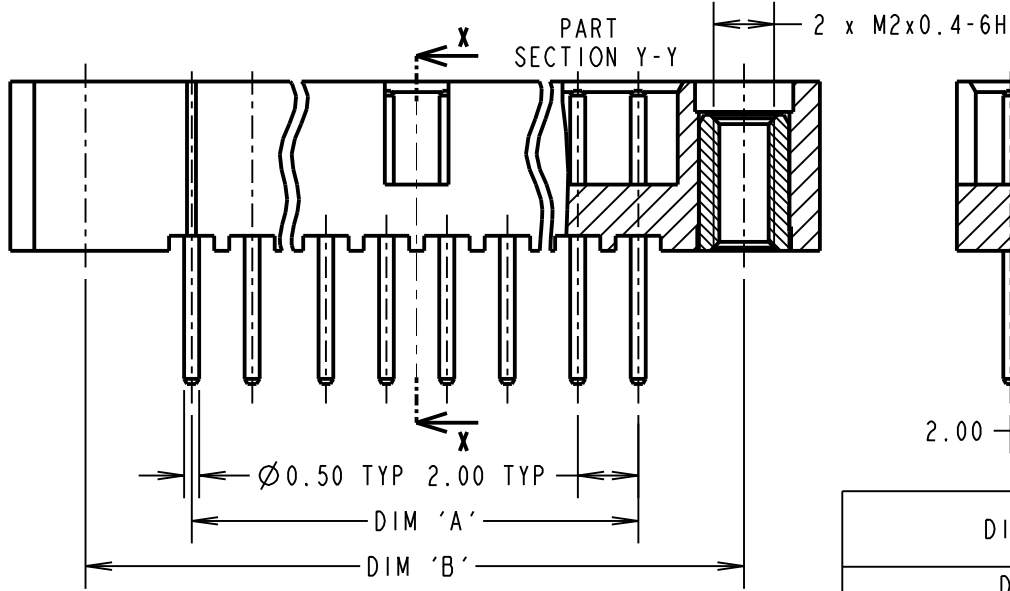
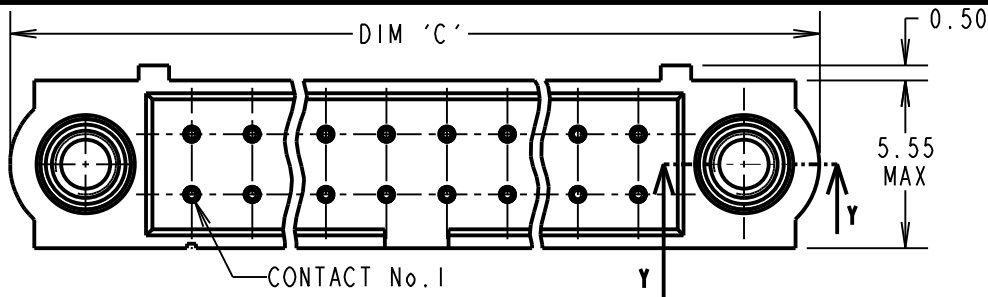
IF IN DOUBT - ASK

©

NOT TO SCALE

THIRD ANGLE PROJECTION

ALL DIMENSIONS IN mm



ORDER CODE:  
**M80-501XXXX**

TOTAL No. OF CONTACTS \_\_\_\_\_  
 04 TO 50  
 (EVEN NUMBERS ONLY)

FINISH \_\_\_\_\_  
 22 - SELECTIVE GOLD + TIN/LEAD  
 42 - SELECTIVE GOLD + 100% TIN  
 05 - ALL OVER GOLD

SPECIFICATIONS:

MATERIAL:  
 MOULDING = GLASS-FILLED PPS, UL94V-0, BLACK  
 CONTACT = PHOSPHOR BRONZE  
 JACKSCREW = STAINLESS STEEL

FINISH (CONTACTS):  
 22 = 0.75µ GOLD ON CONTACT AREA, 3µ 90/10 TIN/LEAD ON TAILS  
 42 = 0.75µ GOLD ON CONTACT AREA, 3µ 100% TIN ON TAILS  
 05 = 0.75µ ALL OVER GOLD

ELECTRICAL:  
 CURRENT RATING AT 25°C = 3.0A MAX  
 CURRENT RATING AT 85°C = 2.2A MAX  
 WORKING VOLTAGE = 800V AC/DC  
 VOLTAGE PROOF = 1200V AC/DC  
 CONTACT RESISTANCE = 25mΩ MAX  
 INSULATION RESISTANCE = 100MΩ MIN

MECHANICAL:  
 DURABILITY = 500 OPERATIONS

ENVIRONMENTAL:  
 TEMPERATURE RANGE = -55°C TO +125°C

PACKING: TUBE  
 FOR COMPLETE SPECIFICATION, SEE COMPONENT SPEC C005XX (LATEST ISSUE)

NOTES:  
 1. RECOMMENDED PCB HOLE SIZE = Ø0.70mm±0.05.

DIMENSION	CALCULATION
DIM 'A'	TOTAL No. OF CONTACTS - 2
DIM 'B'	TOTAL No. OF CONTACTS + 5
DIM 'C'	TOTAL No. OF CONTACTS + 10

EXAMPLE: CONNECTOR WITH 20 CONTACTS, GOLD ON CONTACT AREA AND 100% TIN ON TAIL, M80-5012042.

DIM 'A' = 18.00mm, DIM 'B' = 25.00mm, DIM 'C' = 30.00mm

MSP	2	18.08.15	13052
NAME	ISS.	DATE	C/NOTE
APPROVED:		M.PERREN	
CHECKED:		M.PLESTED	
DRAWN:		W. J. BOURNE	
CUSTOMER REF.:			
ASSEMBLY DRG:			

## HARWIN

www.harwin.com  
 technical@harwin.com

THIS DRAWING AND ANY INFORMATION OR DESCRIPTIVE MATTER SET OUT HEREON ARE CONFIDENTIAL AND COPYRIGHT PROPERTY OF THE HARWIN GROUP AND MUST NOT BE DISCLOSED, LOANED, COPIED OR USED FOR MANUFACTURING, TENDERING OR FOR ANY OTHER PURPOSE WITHOUT THEIR WRITTEN PERMISSION.

TOLERANCES  
 X. = ±1mm  
 X.X = ±0.50mm  
 X.XX = ±0.10mm  
 X.XXX = ±0.01mm

ANGLES = ±5°  
 UNLESS STATED

MATERIAL:  
 SEE ABOVE

FINISH:  
 SEE ABOVE

S/AREA:  
 mm<sup>2</sup>

TITLE: JACKSCREW DATAMATE  
 DIL VERTICAL PC TAIL (4.5mm)  
 MALE ASSEMBLY

DRAWING NUMBER:  
**M80-501XXXX**

SHT  
 2 OF 2

# Mouser Electronics

Authorized Distributor

Click to View Pricing, Inventory, Delivery & Lifecycle Information:

[Harwin:](#)

[M80-5011422](#) [M80-5012022](#) [M80-5012622](#) [M80-5014222](#) [M80-5013422](#) [M80-5010642](#) [M80-5015042](#) [M80-5012042](#) [M80-5014422](#) [M80-5012642](#) [M80-5013442](#) [M80-5011442](#) [M80-5011042](#) [M80-5010422](#) [M80-5010822](#) [M80-5011622](#) [M80-5010622](#) [M80-5011022](#) [M80-5015022](#) [M80-5010842](#) [M80-5013405](#)