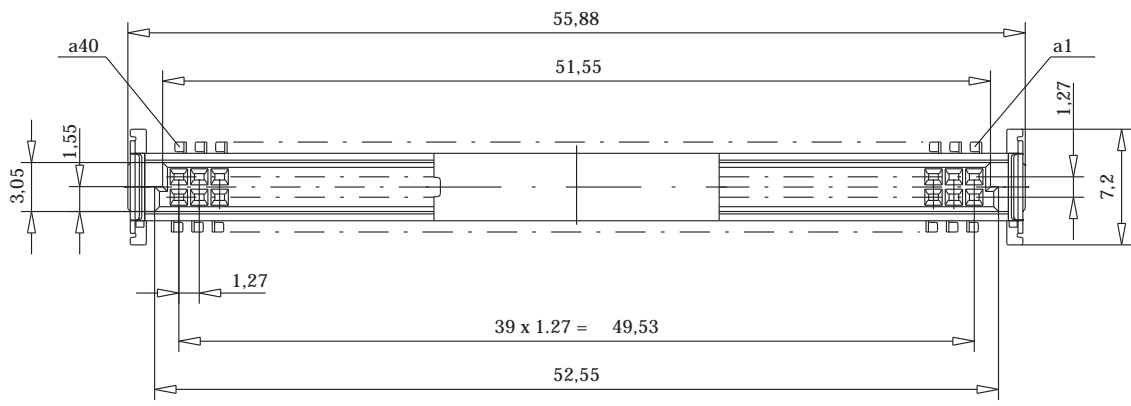
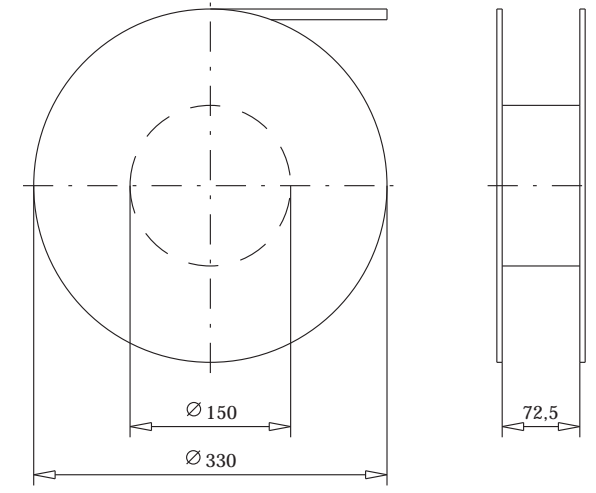
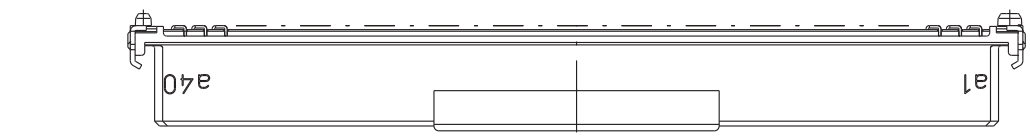
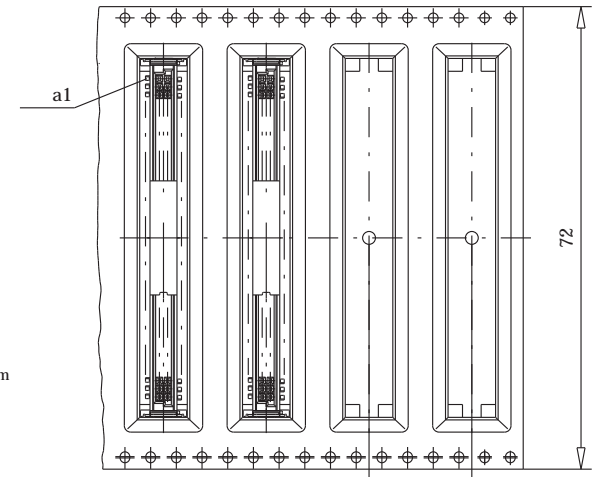


Verpackt in Gurtverpackung - Tape on Reel Packaging  
 Verpackungseinheit: 280 Stück - Packaging unit: 280 pcs

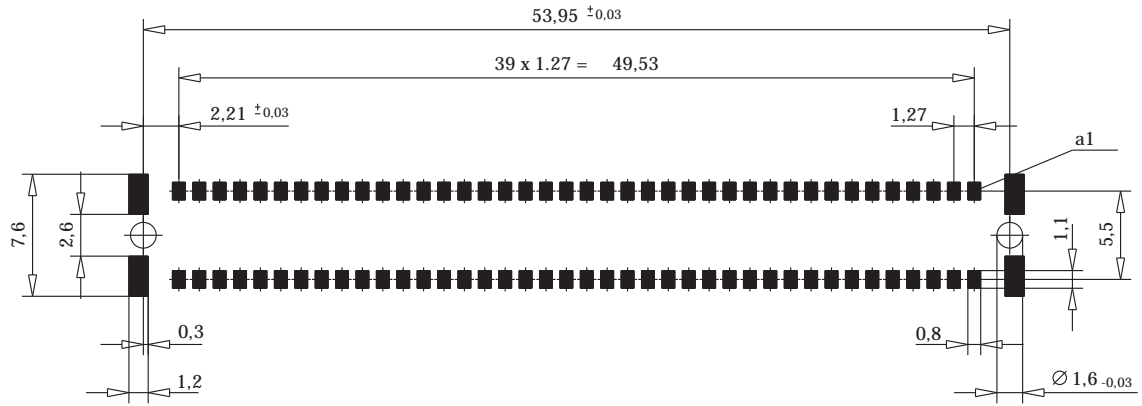


Abspulrichtung - Reel off Direction



Leiterplatten-Layout Vorschlag für SMT  
 PCB-Layout Proposal for SMT

- Anforderungsstufe 1  
Performance Level 1
- Kontaktbereich vergoldet  
Mating Area gold plating
- Anschlussbereich verzinkt 4-6 µm  
Terminal Area 4-6 µm tin plating
- Koplanarität der Anschlüsse ≤ 0.1mm  
Coplanarity Area of Termination ≤ 0.1 mm



BA7-13 - 8 mm Bauhöhe  
 type7-13 - Low Profile

<b>Information:</b> XXXXXX All rights reserved. Only for information. To insure that this is the latest version of this drawing, please contact one of the ERNI companies before using.	<b>Tolerances</b>  All Dimensions in mm	<b>Scale</b> 3:1 XXXXX Angaben zu entsprechender Ident-Nr. siehe Fertigungsunterlagen For further information about I.D. number see manufacturing document.
		<b>Designation</b> Federl. SMC-B 80-SMD-BA7-13 Female SMC-B 80-SMD-type7-13
www.ERNI.com	<b>154809</b>	1
<b>Index</b>	<b>Date</b>	V:00039991.SZN SMCB

Consider protection means from DIN 34