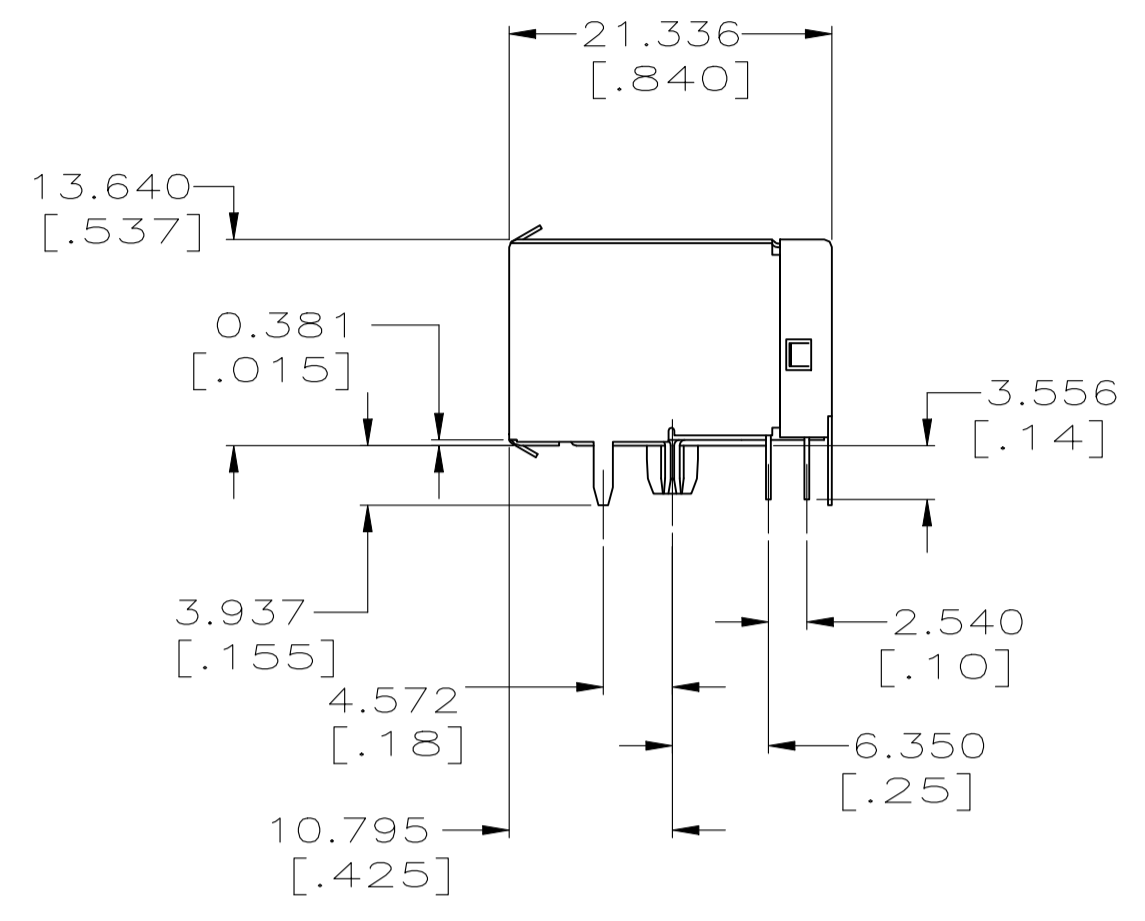
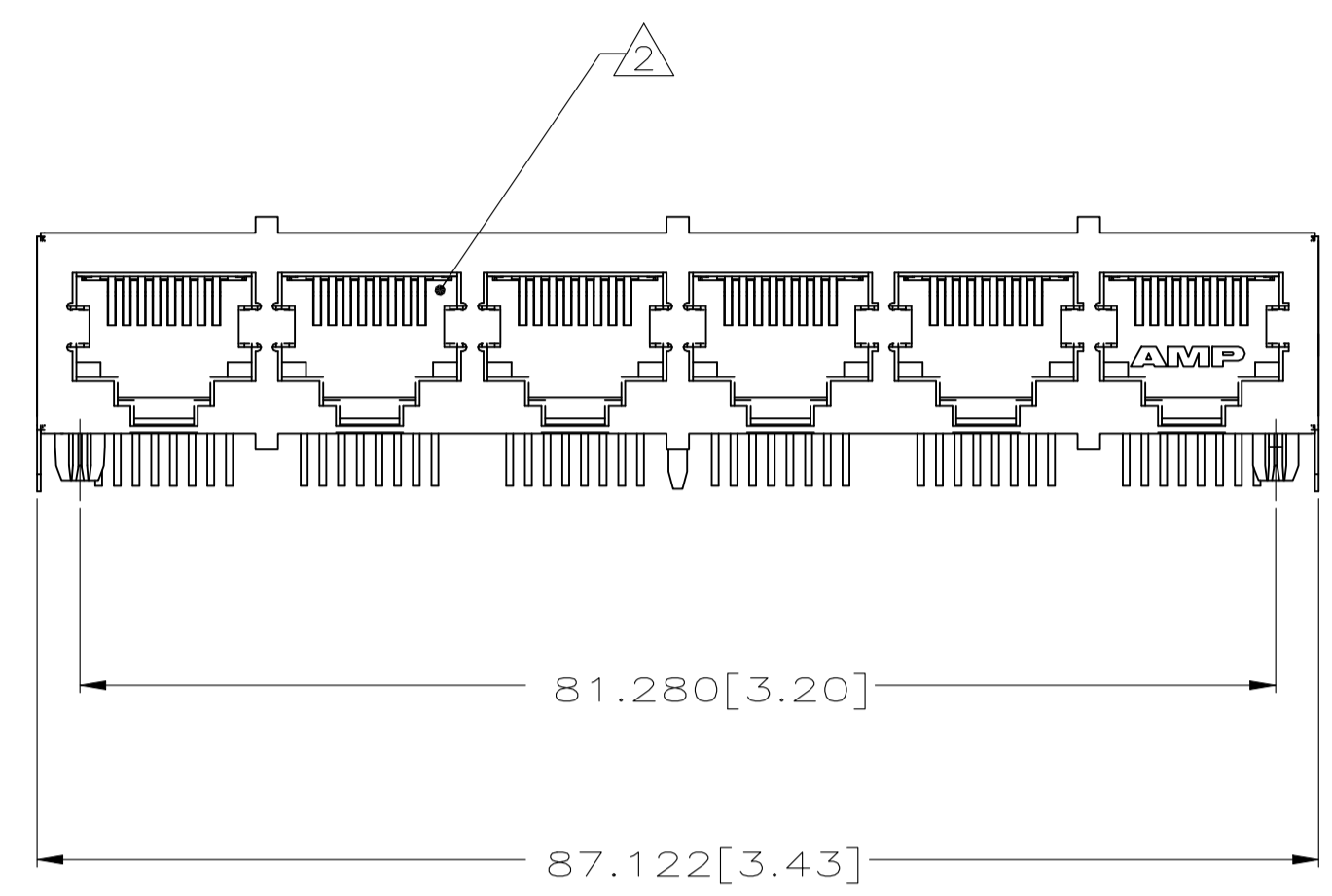
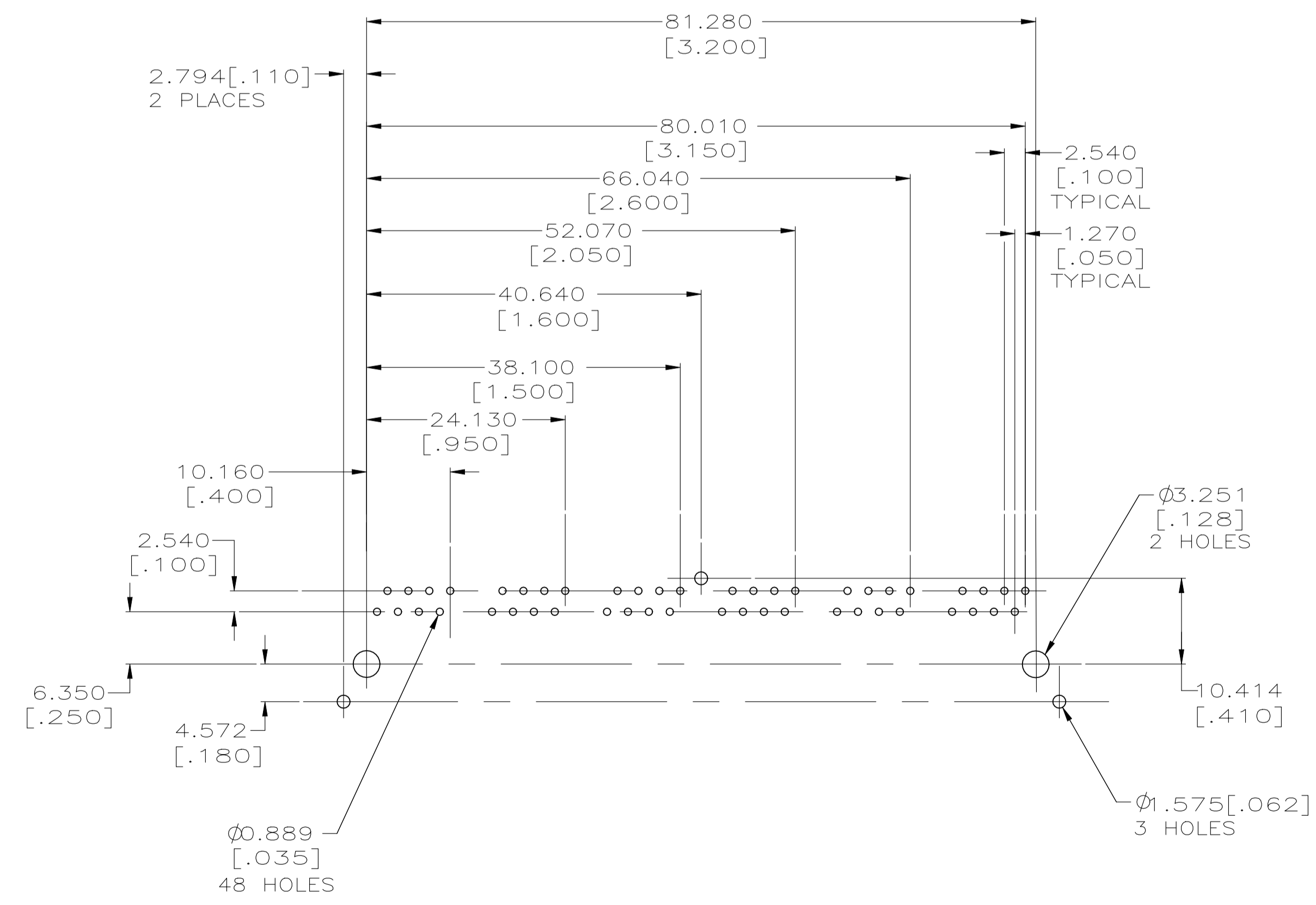


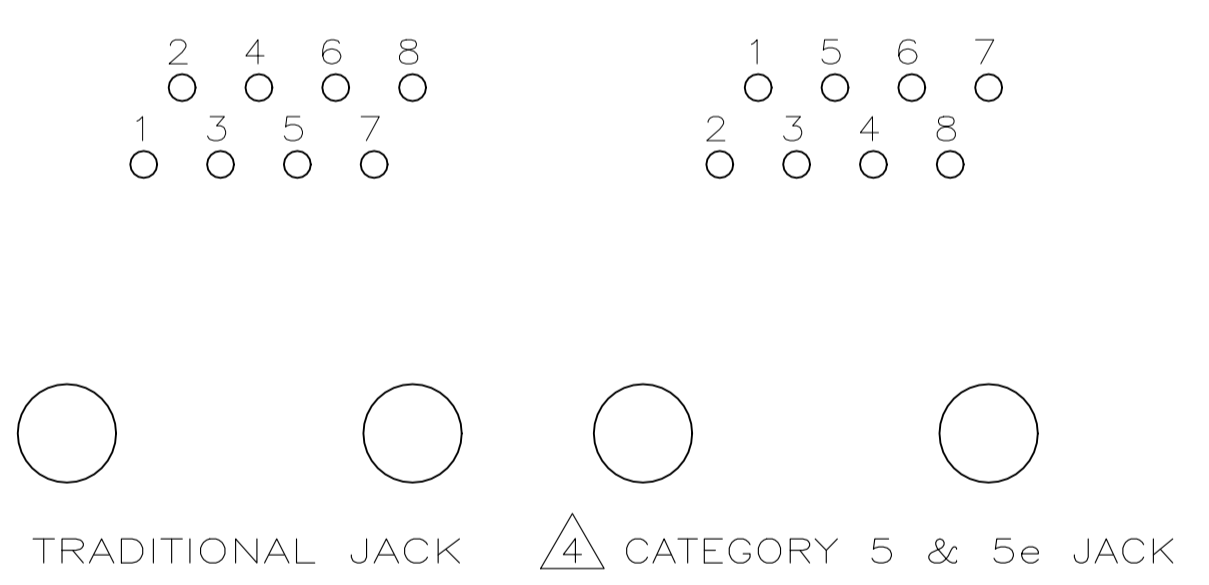
REVISIONS					
REV	DESCRIPTION	DATE	BY	CHK	APP'D
A2	ECR-19-014657	13DEC2020	RR	SZ	



- △ MATERIAL: HOUSING PCT POLYESTER, BLACK, IR COMPATIBLE, UL 94V-0.
TERMINALS - 0.33 [.013] THICK PHOS BRONZE PLATED WITH 1.27 um [.000050] MINIMUM HARD GOLD IN LOCALIZED AREA AND 3.81 um [.000150] MINIMUM MATTE TIN IN SOLDER AREA OVER
1.27 um [.000050] MINIMUM NICKEL UNDERPLATE.
SHIELDS - 0.254 [.010] THICK COPPER ALLOY PLATED WITH 1.27 um [.000050] MINIMUM NICKEL AND 2.03 um [.000080] MINIMUM HOT TIN DIP ON PCB GROUND TABS.
- △ JACK CAVITY CONFORMS TO FCC RULES AND REGULATIONS, PART 68 SUBPART F.
- 3. ALL DIMENSIONS ARE NOMINAL UNLESS OTHERWISE SPECIFIED.
- △ CAUTION: CATEGORY 5 JACK SOLDER TAIL POSITIONS DO NOT FOLLOW SAME NUMBER SEQUENCE AS THAT OF THE TRADITIONAL JACKS.



SUGGESTED PC BOARD LAYOUT
COMPONENT SIDE
SEE APPLICATION SPECIFICATION



5558525-1
PART NUMBER

THIS DRAWING IS A CONTROLLED DOCUMENT.		DIN A FERNANDEZ-DUCKS 09JUN2005		TE Connectivity	
DIMENSIONS: mm [NCHES]		TOLERANCES UNLESS OTHERWISE SPECIFIED:		APVD S. FLICKINGER 09JUN2005 NAME	
0. PLC ± -		1. PLC ± -		PRODUCT SPEC 108-1392	
1. PLC ± -		2. PLC ± 0.254 [01]		APPLICATION SPEC 114-2048	
2. PLC ± -		3. PLC ± 0.127 [005]		SIZE CAGE CODE DRAWING NO. RESTRICTED TO	
3. PLC ± -		4. PLC ± -		WEIGHT 0.000000 A1 00779 C=5558525	
4. PLC ± -		ANGLES ± -		CUSTOMER DRAWING SCALE 1:1 SHEET 1 of 1 REV A2	