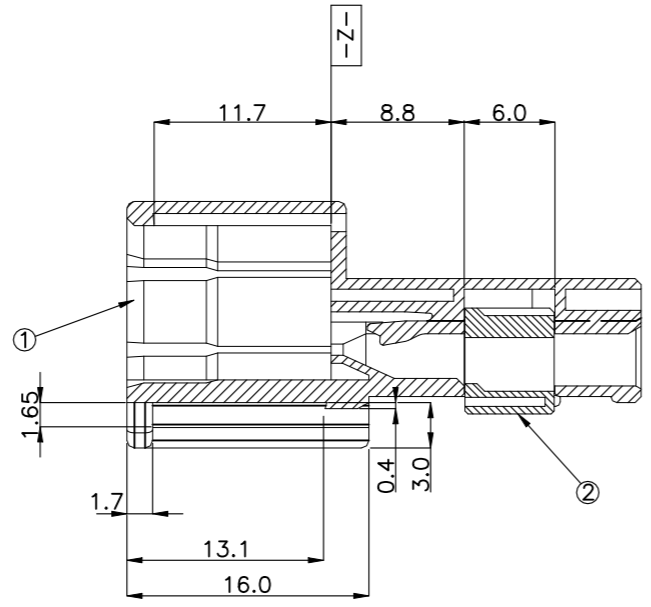
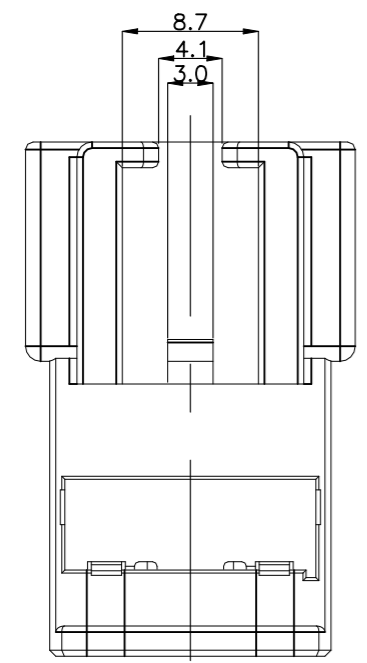
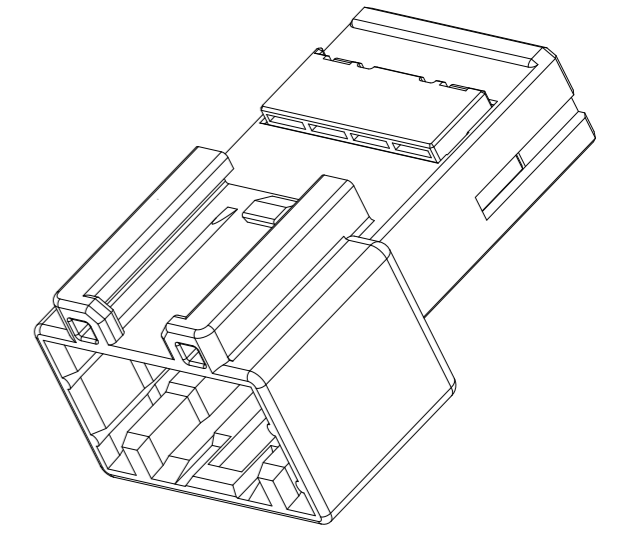
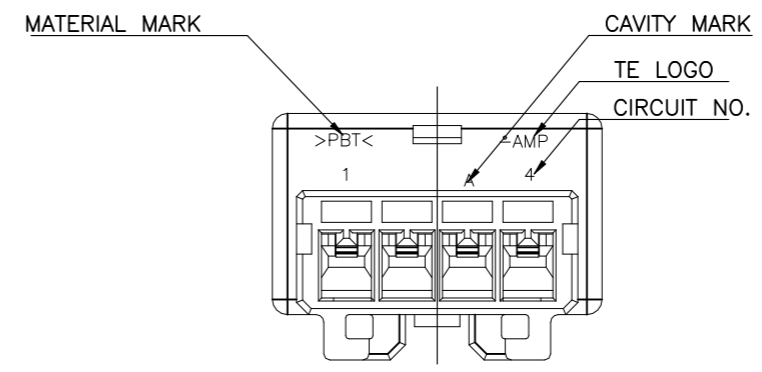
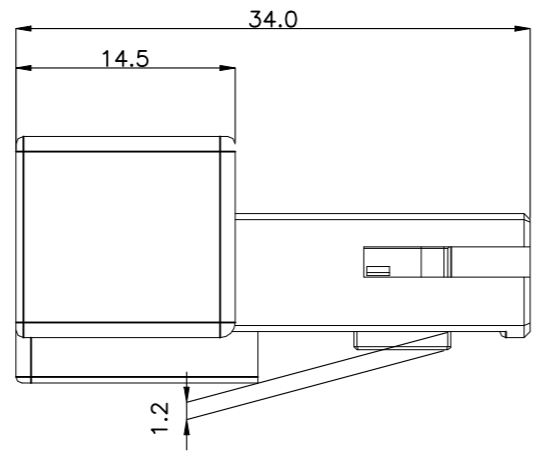
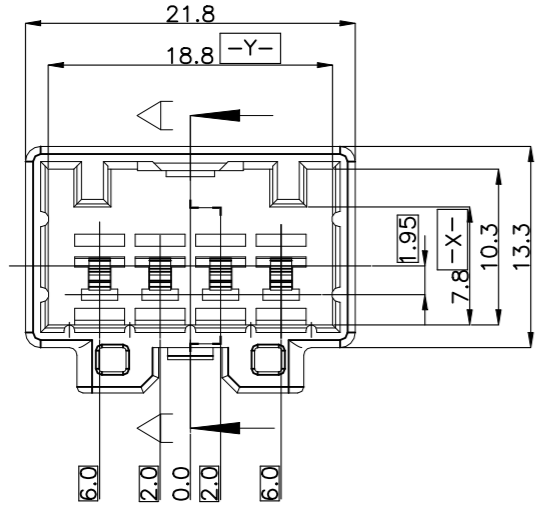


REVISIONS

| P  | LTR | DESCRIPTION             | DATE      | DWN | APVD |
|----|-----|-------------------------|-----------|-----|------|
| B3 |     | REVISED (ECR-23-172163) | 13APR2023 | HG  | YJ   |



NOTES.

- 1. THE MATING HSG. P/N ; 936227
- 2. APPLIED CONTACT P/N ; 090 II TAB.- 368086,368087,368088,1897752

-주기-

- 1. 상대 하우징 P/N. ; 936227
- 2. 적용단자 P/N. ; 090 II TAB.- 368086,368087,368088,1897752

TOLERANCES UNLESS OTHERWISE SPECIFIED:

0 <XXX<10 ± 0.2  
 10<XXX<30 ± 0.25  
 30<XXX ± 0.3  
 ANGLES ± 3°

| NO | COLOR   | MATERIAL | DESCRIPTION | P/N        | QTY             |
|----|---------|----------|-------------|------------|-----------------|
| 1  | BLUE    | PBT      | CAP         | 0-936239-8 | 1               |
|    | GREEN   | PBT      | CAP         | 0-936239-7 | 1               |
|    | RED     | PBT      | CAP         | 0-936239-6 | 1               |
|    | YELLOW  | PBT      | CAP         | 0-936239-5 | 1               |
|    | BROWN   | PBT      | CAP         | 0-936239-4 | 1               |
|    | D/GRAY  | PBT      | CAP         | 0-936239-3 | 1               |
|    | BLACK   | PBT      | CAP         | 0-936239-2 | 1               |
|    | NATURAL | PBT      | CAP         | 0-936239-1 | 1               |
| 2  | NATURAL | PBT      | DBL         | 0-936270-1 | 1 1 1 1 1 1 1 1 |

| ASSY P/N   |
|------------|
| 0-936238-8 |
| 0-936238-7 |
| 0-936238-6 |
| 0-936238-5 |
| 0-936238-4 |
| 0-936238-3 |
| 0-936238-2 |
| 0-936238-1 |

SECTION A-A

THIS DRAWING IS A CONTROLLED DOCUMENT.

|                       |   |
|-----------------------|---|
| DIMENSIONS:<br>mm     | TOLERANCES UNLESS OTHERWISE SPECIFIED:                                      |
|                       | 0 PLC ± -<br>1 PLC ± -<br>2 PLC ± -<br>3 PLC ± -<br>4 PLC ± -<br>ANGLES ± - |
| MATERIAL<br>SEE TABLE | FINISH<br>-   |

|                  |   |                        |
|------------------|---|------------------------|
| DWN<br>KT JUNG   | - | <br>TE Connectivity    |
| CHK<br>JW JUNG   | - |                        |
| APVD<br>HG CHO   | - |                        |
| PRODUCT SPEC     | - |                        |
| APPLICATION SPEC | - | 090III 4P CAP ASS'Y    |
| WEIGHT           | - | RESTRICTED TO          |
| CUSTOMER DRAWING |   | SIZE<br>A3             |
| SCALE<br>2:1     |   | CAGE CODE<br>00779     |
| SHEET<br>1 OF 1  |   | DRAWING NO<br>C-936238 |
| REV<br>B3        |   |                        |