

SAFETY ORGANIZATIONS

THIS FILTER HAS BEEN FORMALLY RECOGNIZED, CERTIFIED OR APPROVED BY THE LISTED AGENCY. THEREFORE, ALL TEST/REQUIREMENTS SPECIFIED IN THE LATEST REVISION OF THE FOLLOWING AGENCY STANDARDS HAVE BEEN MET:

UL RECOGNIZED: UL 1283
 CSA CERTIFIED: CSA C22.2 No. 8
 VDE APPROVED: EN 60939-2

OPERATING SPECIFICATIONS

LINE CURRENT/VOLTAGE: 16 AMP, 120/250 VAC,
 16 AMP/40°C, 250 VAC

LINE FREQUENCY: 50-60Hz

MAXIMUM LEAKAGE CURRENT,
 EACH LINE TO GROUND: 2μ AMP @ 120V 60Hz
 5μ AMP @ 250V 50Hz

OPERATING AMBIENT TEMP. RANGE: -10°C TO +40°C @ RATED CURRENT, I_r.

IN AN AMBIENT, T_a, HIGHER THAN 40°C, THE MAXIMUM OPERATING CURRENT, I_o, IS AS FOLLOWS:

$$I_o = I_r \sqrt{\frac{85 - T_a}{45}}$$

RELIABILITY SPECIFICATIONS:

STORAGE TEMPERATURE: -40°C TO +85°C
 HUMIDITY: 21 DAYS @ 40°C 95% RH.
 CURRENT OVERLOAD TEST: 6 TIMES I_r FOR 8 SECONDS

TEST SPECIFICATIONS:

INDUCTANCE: 8.3 mH NOMINAL
 CAPACITANCE: (MEASURED @ 1KHz, 0.250VAC MAX., 25°C±1°C)
 LINE TO GROUND: NA μF±20%
 LINE TO LINE: 2.0 μF±20%
 DISCHARGE RESISTOR: 165 MΩ
 L/G AND L/L I.R.
 NO DISCHARGE RESISTOR: 6000MΩ (MIN.) @ 100VDC, 20°C AND 50% RH

RECOMMENDED RECEIVING INSPECTION HIPOT:

LINE TO GROUND: 1500 VAC FOR 1 MINUTE
 LINE TO LINE: 1450 VDC FOR 1 MINUTE

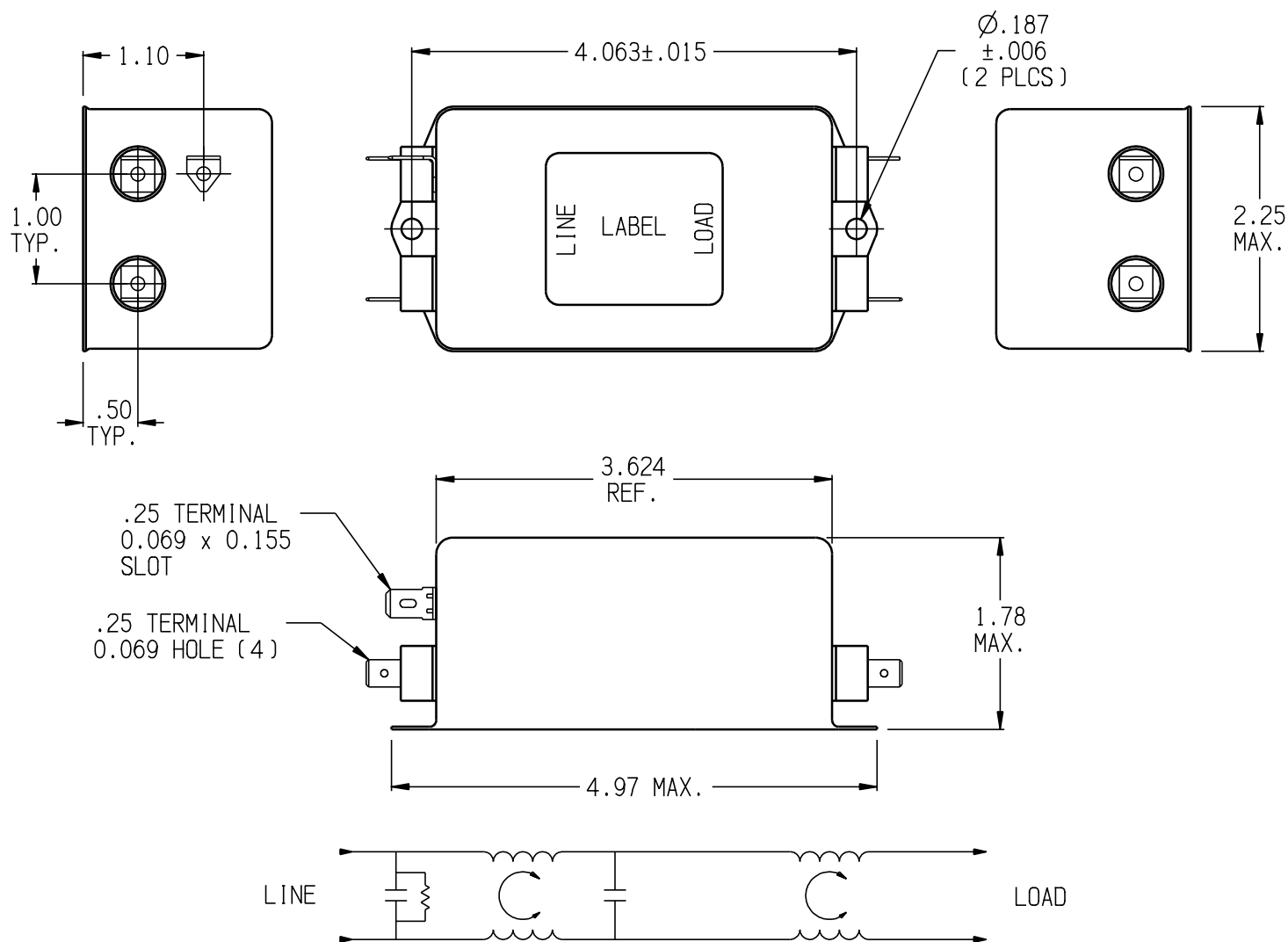
FILTER APPROVAL:

THE BEST WAY TO SELECT AND QUALIFY A FILTER IS FOR YOUR ENGINEERING TO TEST THE UNIT IN YOUR EQUIPMENT.

CUSTOMER DRAWING

CATALOG # 16EHQ1

ECN#	APPRVD	DATE
13-007605	TAM	A



50 Ω - 50 Ω (MINIMUM) INSERTION LOSS

FREQUENCY MHz	.01	.04	.06	.10	.15	.40	1.0	5.0	10.0	30.0	/	/
COMMON dB	6	18	20	26	31	34	33	20	13	8	/	/
DIFF. dB	8	15	10	29	45	61	54	45	40	15	/	/

PARTS SHALL COMPLY WITH TYCO ELECTRONICS 138-702 SPECIFICATION FOR HAZARDOUS SUBSTANCES

UNLESS OTHERWISE SPECIFIED TOLERANCE TO BE ±0.025 MATERIAL & FINISH: AS SUPPLIED DIMENSIONS IN INCHES



NOTES:

POWER LINE FILTER

TE PART NO.: 7-1609097-9			
SCALE: 5/8	DATE: 23APR13	DRAWING NUMBER: 16EHQ1	
REV.:	DRW. BY: LJD	DATE: TAM	REV. A1

Mouser Electronics

Authorized Distributor

Click to View Pricing, Inventory, Delivery & Lifecycle Information:

[TE Connectivity:](#)

[7-1609097-9](#) [16EHQ1](#)