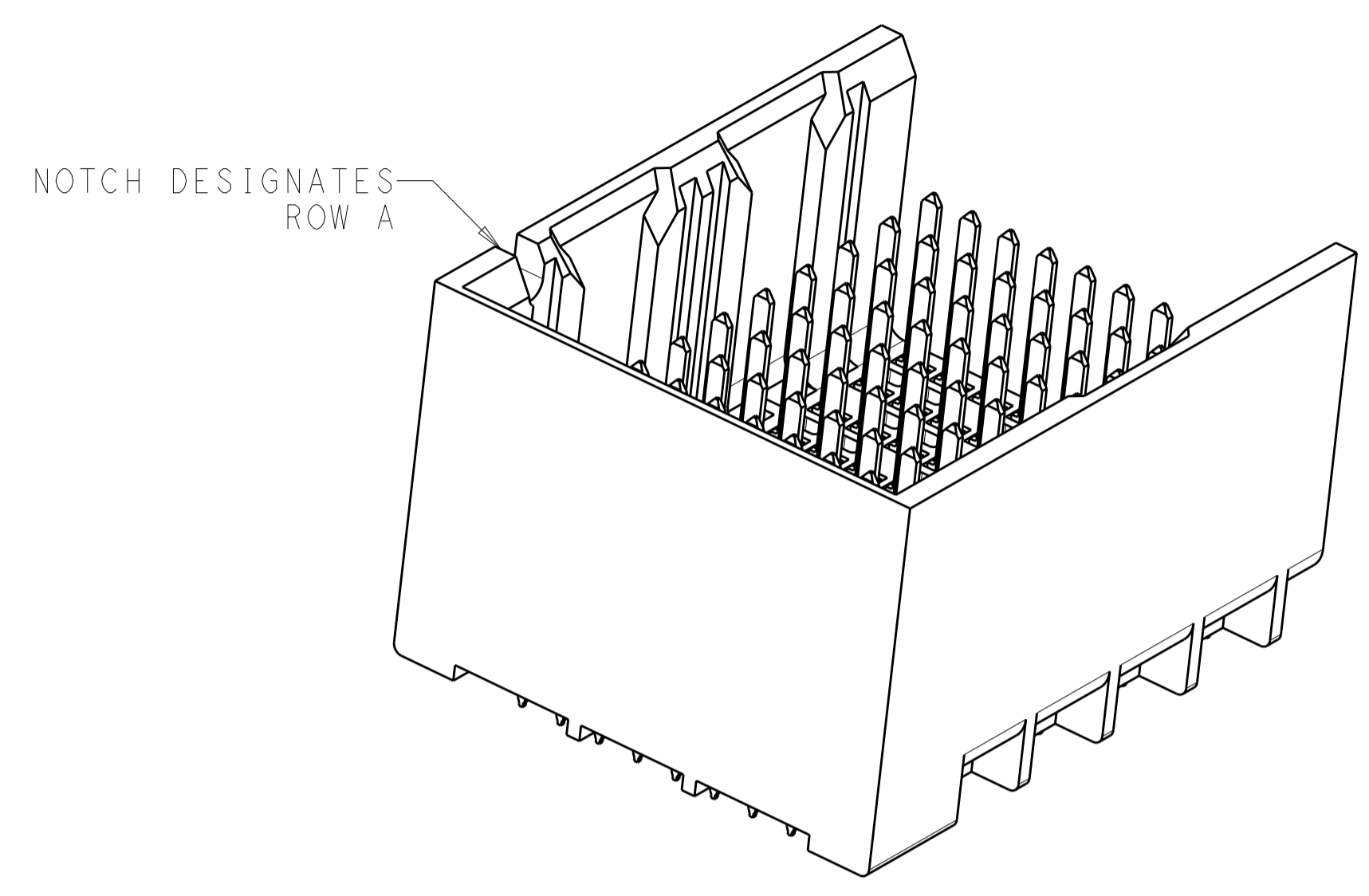
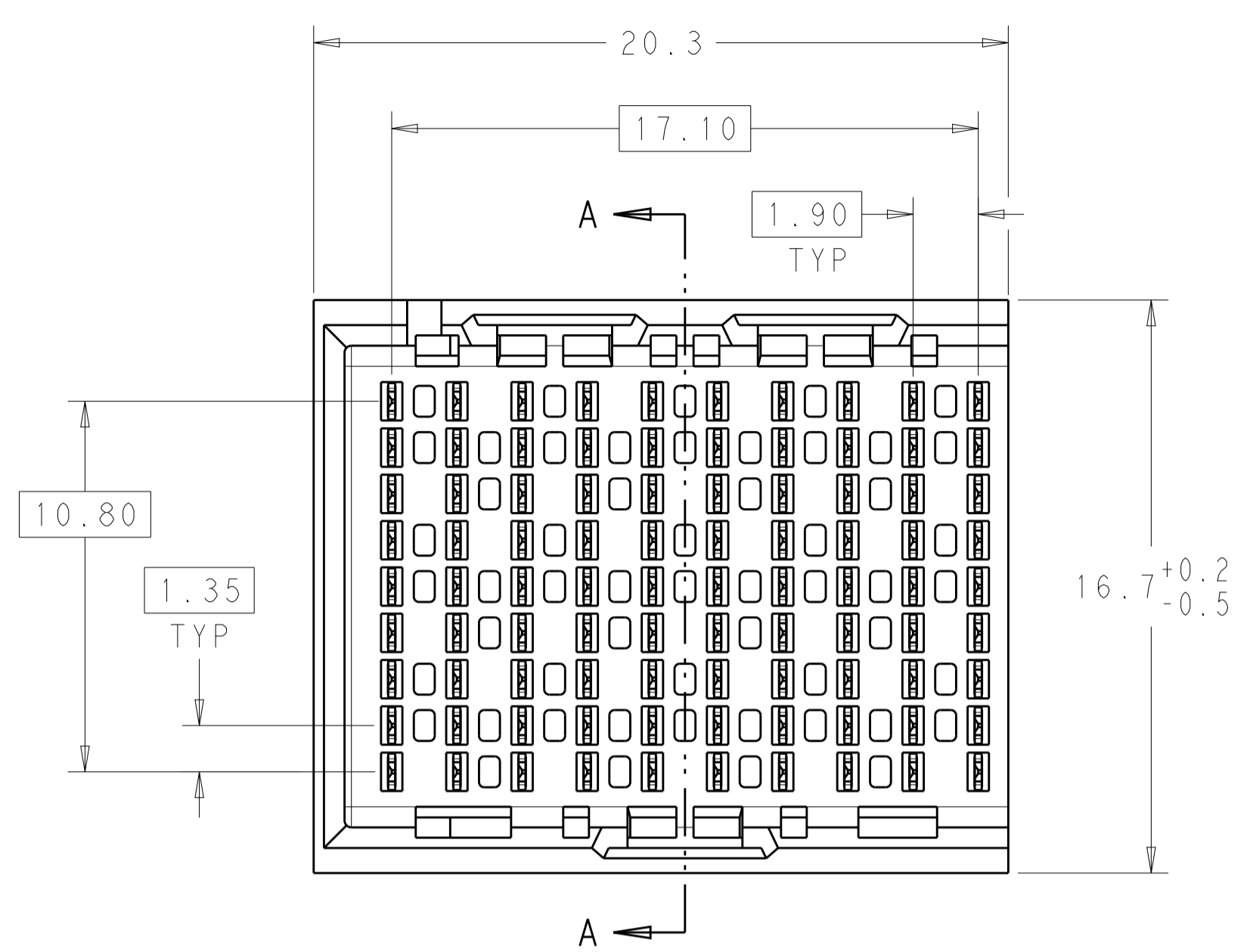
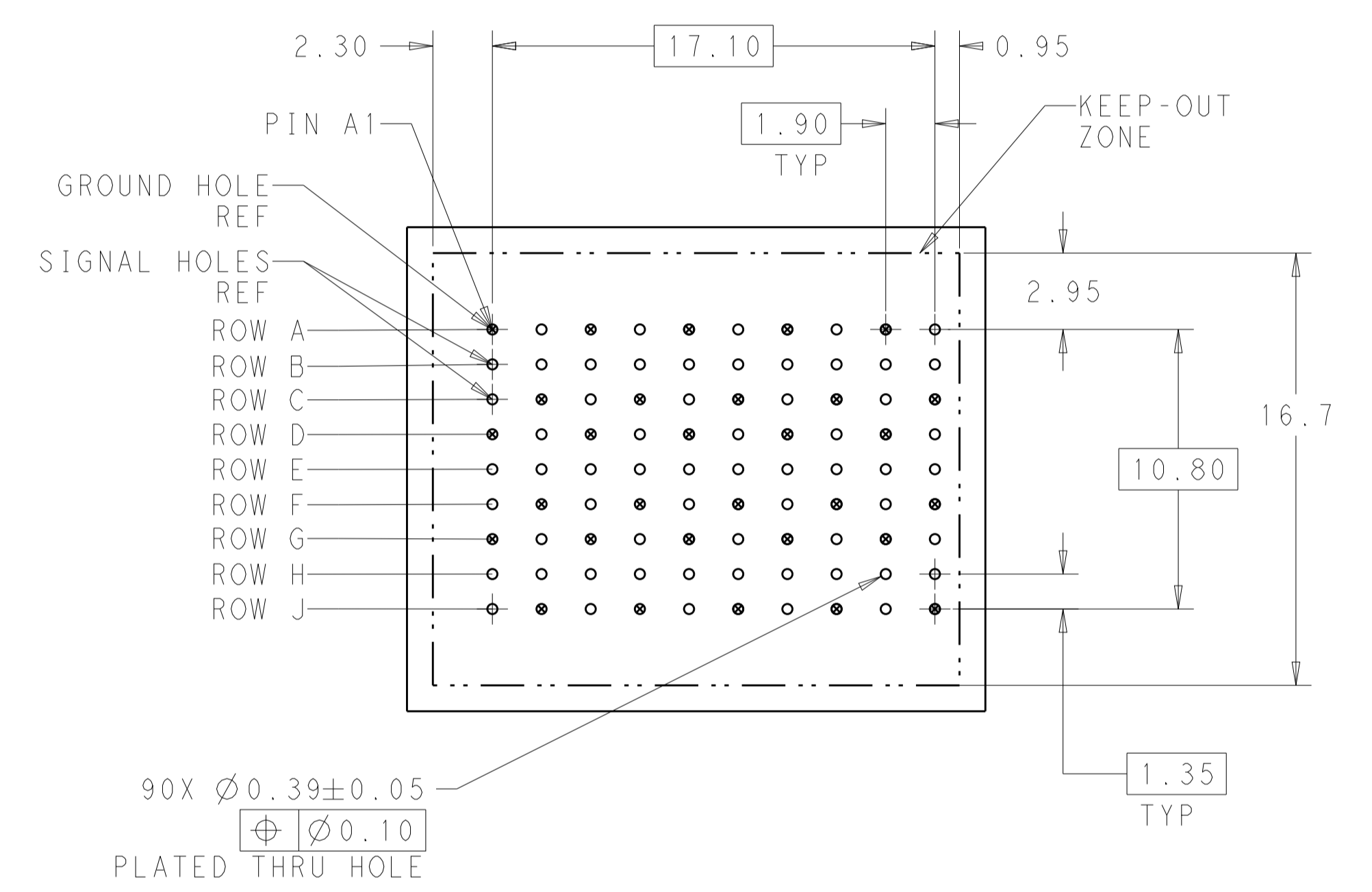
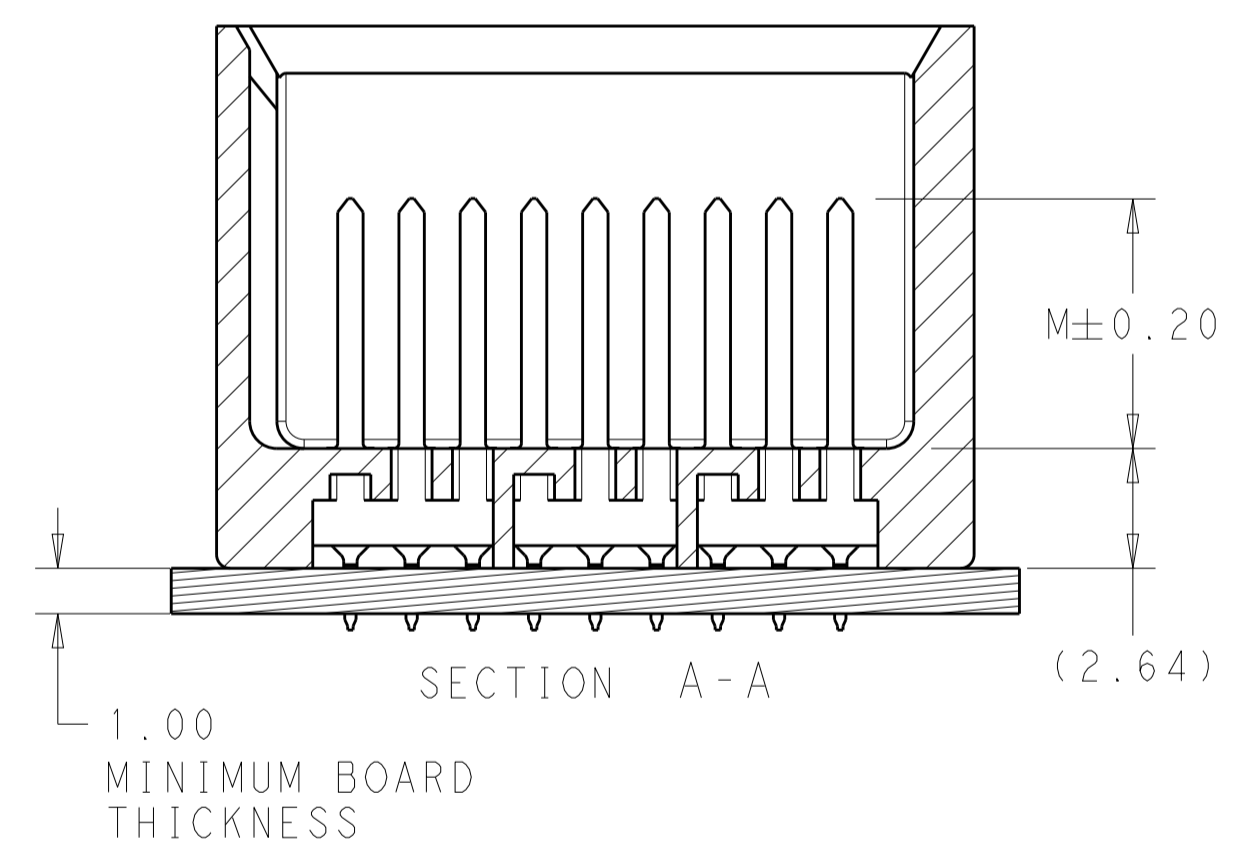
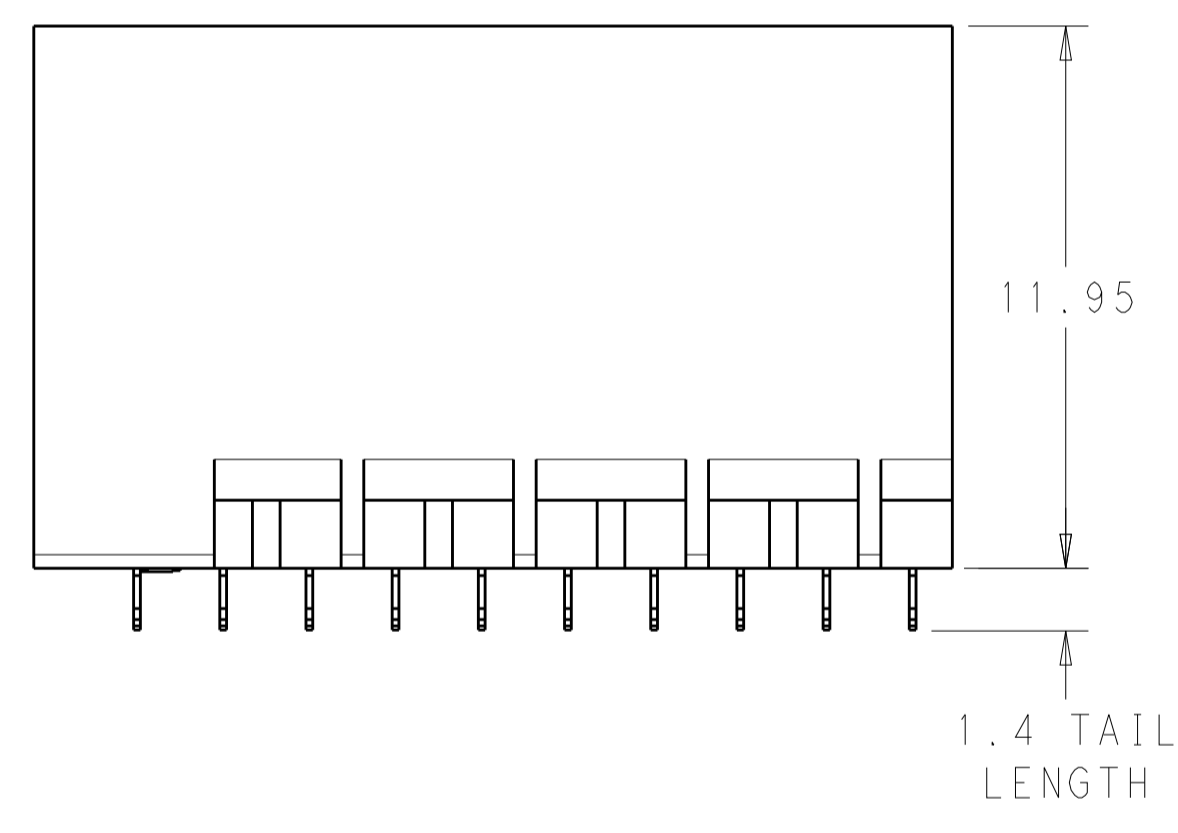


LOC	DIST	REVISIONS			
AD	00	REV	DATE	BY	APPD
		C1	19MAY2017	A.S.	S.Y.



- 1 MATERIAL:  
HOUSING: LCP, GLASS FILLED, UL94V-0.  
TERMINALS: HIGH PERFORMANCE COPPER ALLOY.
- 2 FINISH:  
30μ" MIN GOLD IN CONTACT AREA. SELECTIVE TIN ON PCB TAILS, NICKEL OVERALL.
- 3 FINISH:  
30μ" MIN GOLD IN CONTACT AREA. SELECTIVE TIN-LEAD ON PCB TAILS, NICKEL OVERALL.



UNGUIDED BACKPLANE HOLE PATTERN (CONNECTOR SIDE)

3	5.5	2007789-6
3	4.9	2007789-5
3	4.5	2007789-4
2	5.5	2007789-3
2	4.9	2007789-2
2	4.5	2007789-1
FINISH	DIM M	PART NUMBER

REFER TO WWW.TE.COM FOR PRODUCT AVAILABILITY

THIS DRAWING IS A CONTROLLED DOCUMENT.		DWN J.K. SHOBER 21DEC2010 CHK J. EARY 21DEC2010 APVD J. EARY 21DEC2010	
DIMENSIONS: mm 	TOLERANCES UNLESS OTHERWISE SPECIFIED: 0 PLC ± 1 PLC ±0.25 2 PLC ±0.13 3 PLC ± 4 PLC ± ANGLES ±	NAME IMPACT, 3 PAIR, 10 COLUMN, HEADER UNGUIDED, LEFT END WALL SIGNAL MODULE, 0.39 PTH PRODUCT SPEC APPLICATION SPEC SIZE CAGE CODE DRAWING NO WEIGHT CUSTOMER DRAWING	
MATERIAL	SEE TABLE	A100779C=2007789 SCALE 6:1 SHEET 1 OF 1 REV C1	

# Mouser Electronics

Authorized Distributor

Click to View Pricing, Inventory, Delivery & Lifecycle Information:

[TE Connectivity:](#)

[2007789-2](#) [2007789-1](#)