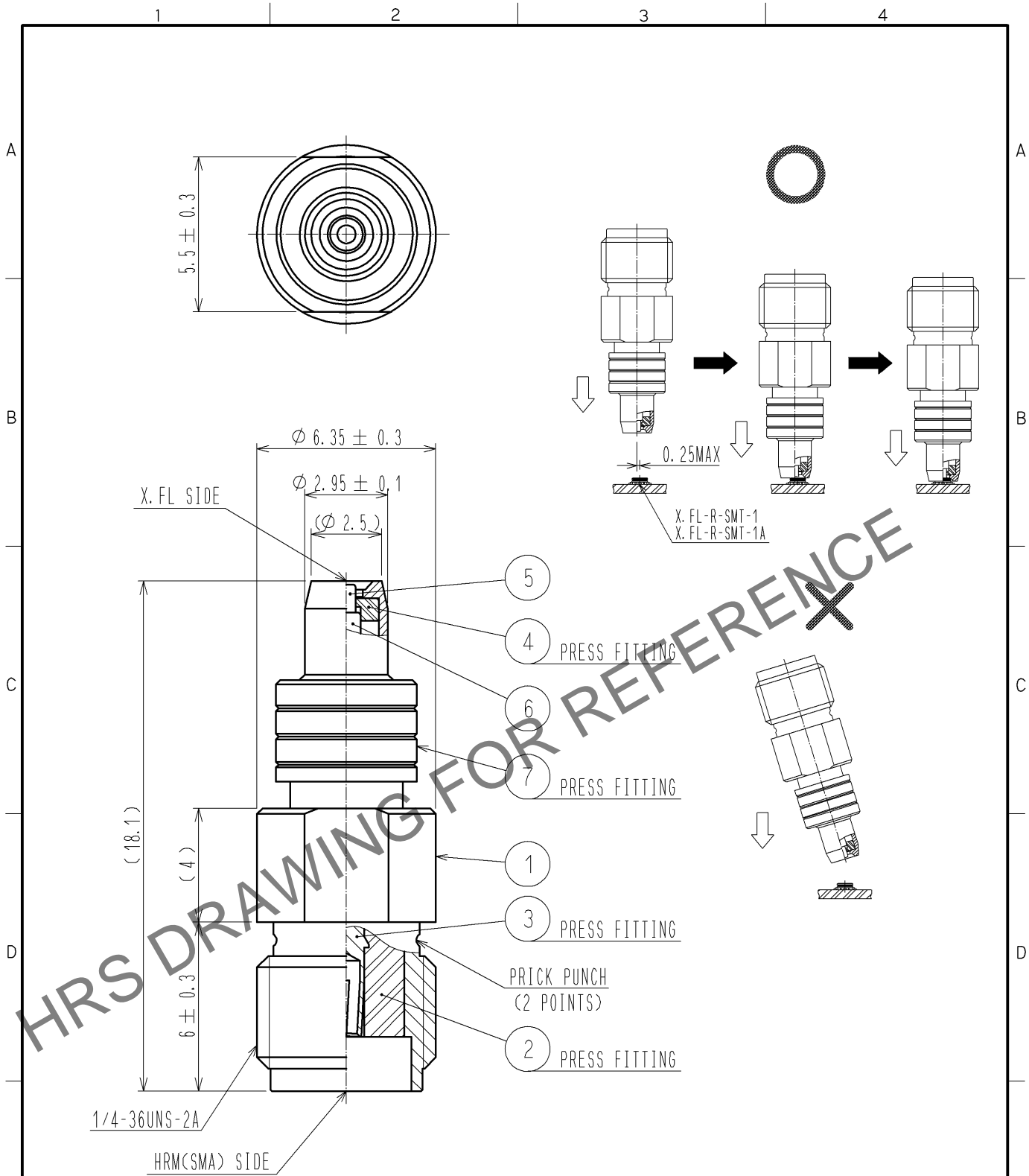


Jun.1.2024 Copyright 2024 HIROSE ELECTRIC CO., LTD. All Rights Reserved.  
 In case of consideration for using Automotive equipment / device which demand high reliability, kindly contact our sales window correspondents.



RoHS COMPLIANT

4	PTFE		7	STAINLESS STEEL	GOLD PLATING
3	BERYLLIUM COPPER	GOLD PLATING	6	BRASS	GOLD PLATING
2	PTFE		5	BERYLLIUM COPPER	GOLD PLATING(FREE CONTACT)
1	BRASS	NICKEL PLATING			
NO.	MATERIAL	FINISH . REMARKS	NO.	MATERIAL	FINISH . REMARKS

UNITS mm		SCALE 5 : 1	COUNT 	DESCRIPTION OF REVISIONS	DESIGNED	CHECKED	DATE
HIROSE ELECTRIC CO., LTD.		APPROVED : MH. YAMANE	11. 05. 28	DRAWING NO.	EDC4-328934-00		
		CHECKED : NK. NINOMIYA	11. 05. 27	PART NO.	HRMJ-X. FLP-ST3		
		DESIGNED : MY. KOJIMA	11. 05. 24	CODE NO.	CL311-0450-5-00		1/1
		DRAWN : MY. KOJIMA	11. 05. 24				