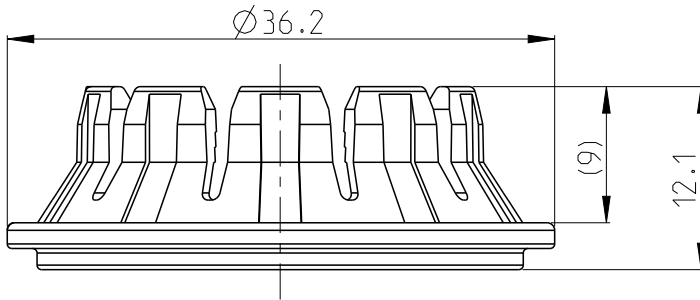
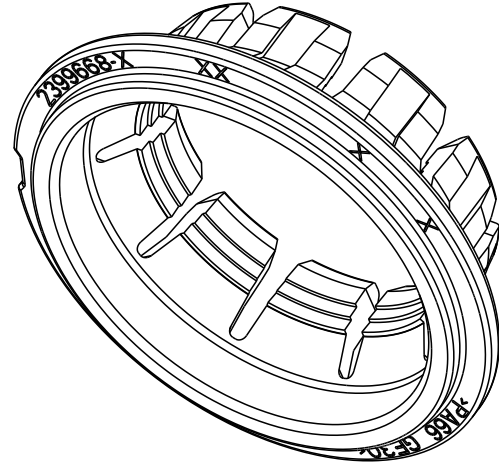
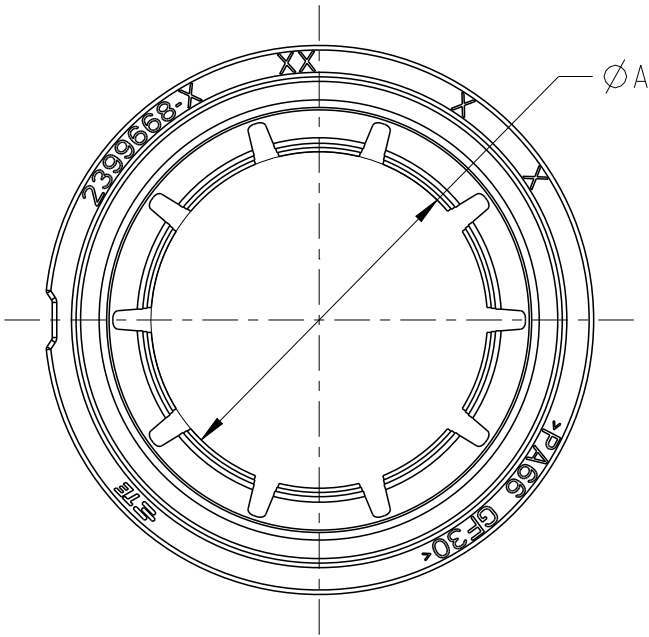


| REVISIONS | | | | | |
|-----------|-----|-----------------|-----------|-----|------|
| P | LTR | DESCRIPTION | DATE | DWN | APVD |
| | A | INITIAL DRAWING | 12NOV2021 | C.C | I.Y |
| | A1 | ECR-22-136442 | 11APR2022 | S.T | Z.Z |
| | A2 | ECR-22-153884 | 19SEP2022 | S.T | Z.Z |
| | A3 | ECR-23-188029 | 25SEP2023 | T.L | Z.Z |



- 1 MATERIAL: PA66-GF
COLOR: SEE TABLE
- 2. BULK PACKAGED



| | | | | | | |
|-----------|--------------------|-------|--------|-----------|------------|------|
| 2399668-4 | CABLE CLIP - 150SQ | BLACK | Ø24.75 | (2.48) | 24.5 | 25.5 |
| 2399668-3 | CALBE CLIP- 120SQ | BLACK | Ø22.25 | (2.7) | 22.2 | 23.0 |
| 2399668-2 | CALBE CLIP- 95SQ | BLACK | Ø19.55 | (3.02) | 19.5 | 20.3 |
| 2399668-1 | CALBE CLIP- 70SQ | BLACK | Ø16.65 | (3.16) | 16.7 | 17.3 |
| PART NO. | DESCRIPTION | COLOR | DIM.A | WEIGHT(g) | MIN. | MAX. |
| | | | | | CABLE O.D. | |

© 2021 TE Connectivity. All Rights Reserved.

| | | | | | | |
|--|---------------------------------------|----------------------------------|------------------|--------------------|-------------------------|--------------------|
| DIMENSIONS: mm | DWN C.CAO | 12NOV2021 | MATERIAL | 1 | FINISH | |
| | CHK J.LI | 12NOV2021 | | | | |
| TOLERANCES UNLESS OTHERWISE SPECIFIED: ±0.3 | APVD I.YIN | 12NOV2021 | | | | |
| 0 PLC ± 1 PLC ±0.3 2 PLC ±0.15 3 PLC ±0.01 4 PLC ±0.0001 ANGLES ± | PRODUCT SPEC 108-160407 | NAME CABLE CLIP HVP-HD1400 | SIZE A 4 | CAGE CODE 00779 | DRAWING NO C-2399668 | RESTRICTED TO - |
| | APPLICATION SPEC 114-160223/160418 | WEIGHT | CUSTOMER DRAWING | | SCALE 2:1 | SHEET 1 OF 1 |
| | | | | | REV A3 | |