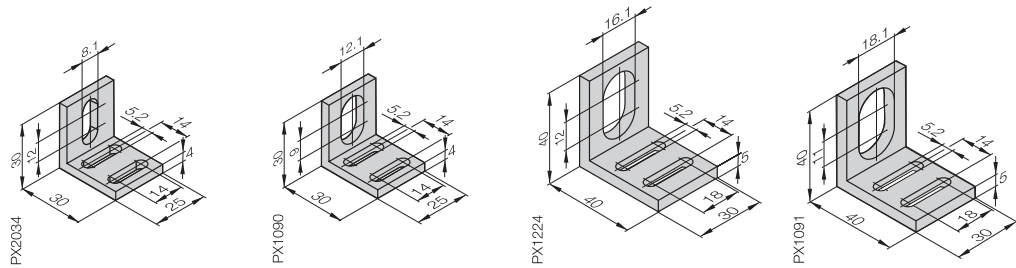
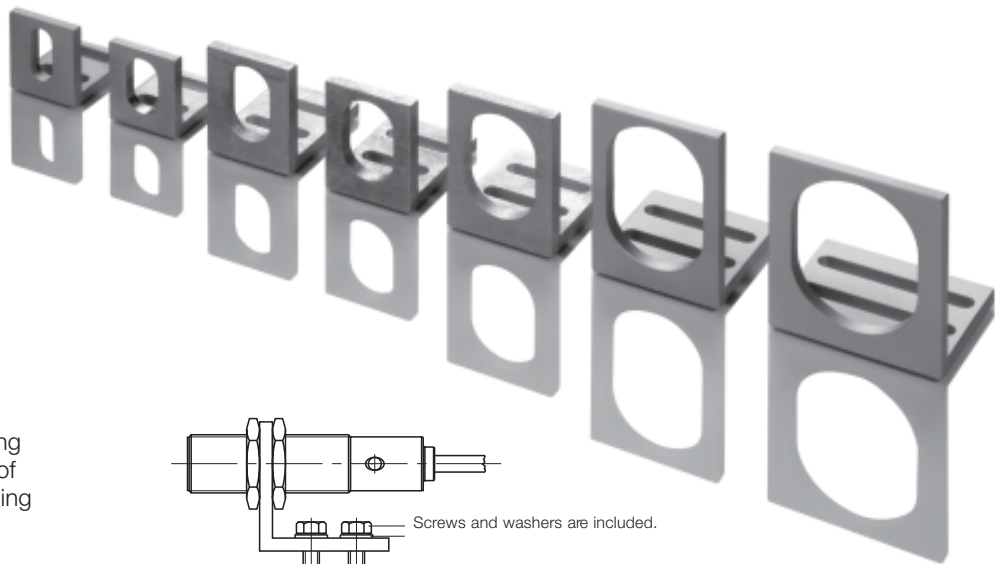
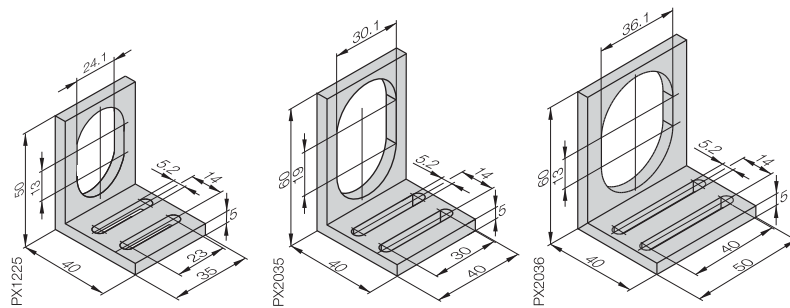


Description	<b>Mounting bracket for M8</b>	<b>Mounting bracket for M12</b>	<b>Mounting bracket for M16</b>	<b>Mounting bracket for M18</b>
Ordering code	BES 08-HW-1	BES 12-HW-1	BES 16-HW-1	BES 18-HW-1



Description	<b>Mounting bracket for M24</b>	<b>Mounting bracket for M30</b>	<b>Mounting bracket for M36</b>	
Ordering code	BES 24-HW-1	BES 30-HW-1	BES 36-HW-1	



These aluminum mounting brackets provide a way of easily and quickly attaching sensors to the machine.

For tubular sensors we recommend the additional use of clamps (see pages 6.20 and 6.21).

