

1 2 3 4 5 6 7

A

B

C

D

E

F

G

H

A

B

C

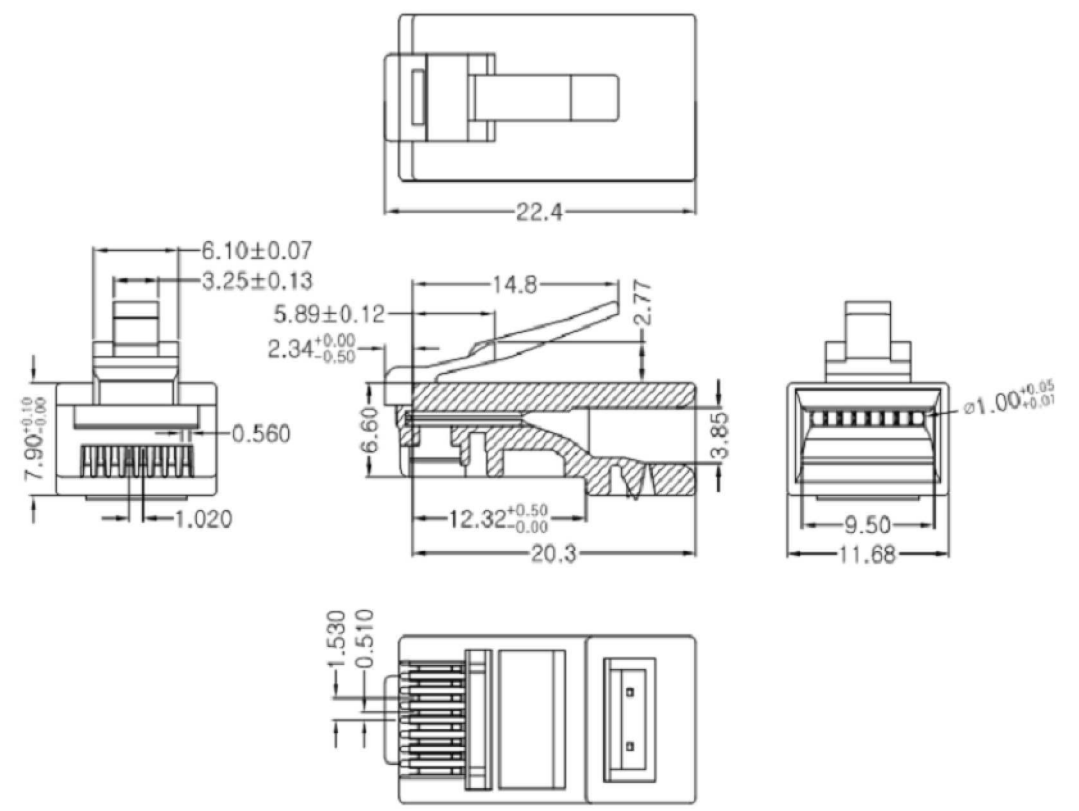
D

E

F

G

H



Specifications:

Material:  
 Housing: Poly Carbonate(PC) UL94V-2  
 Contact: Phosphor Bronze with 2 prongs  
 Plating: 50u" gold plated  
 100u" Nickel under plated  
 Operating temperature: -40°C to +125°C

Electrical:  
 Current rating: 250V AC max. at 2A  
 Dielectric: 500V AC  
 Insulation resistance: 500MΩ  
 Termination resistance: 35mΩ max after environmental tests  
 Tensile strength: 20 LBS (89N) min.  
 Durability: 500 mating cycles

Complies with FCC68/F  
 ① Wire gauge: 30AWG-24AWG Stranded wire  
 Cable OD size: flat cable 2.5x8.8±0.02mm  
 Wire size: 0.95±0.05mm

**RoHS compliant**  
 Unit: mm

Scale	Free					Date	Name	Customer-No.	
TOLERANCE					Drawn	03.05.2016	Amy		
X.X	±0.20				Approved	03.04.2019	Amy	ASSMANN WSW-No.	
X.XX	±0.10							A-MO 8/8-F50	
X.XXX	±0.05							Drawing-No.	
DIM	TOL	①	Add cable wire size information	03.04.2019	Amy	<b>ASSMANN</b> WSW components		ASS 7233 CO	rev01
Angle	±2°	②	Drawn	03.05.2016	Amy			Replace	Sheet
Angle	TOL	Id.	Modification	Date	Name				

1 2 3 4 5 6 7