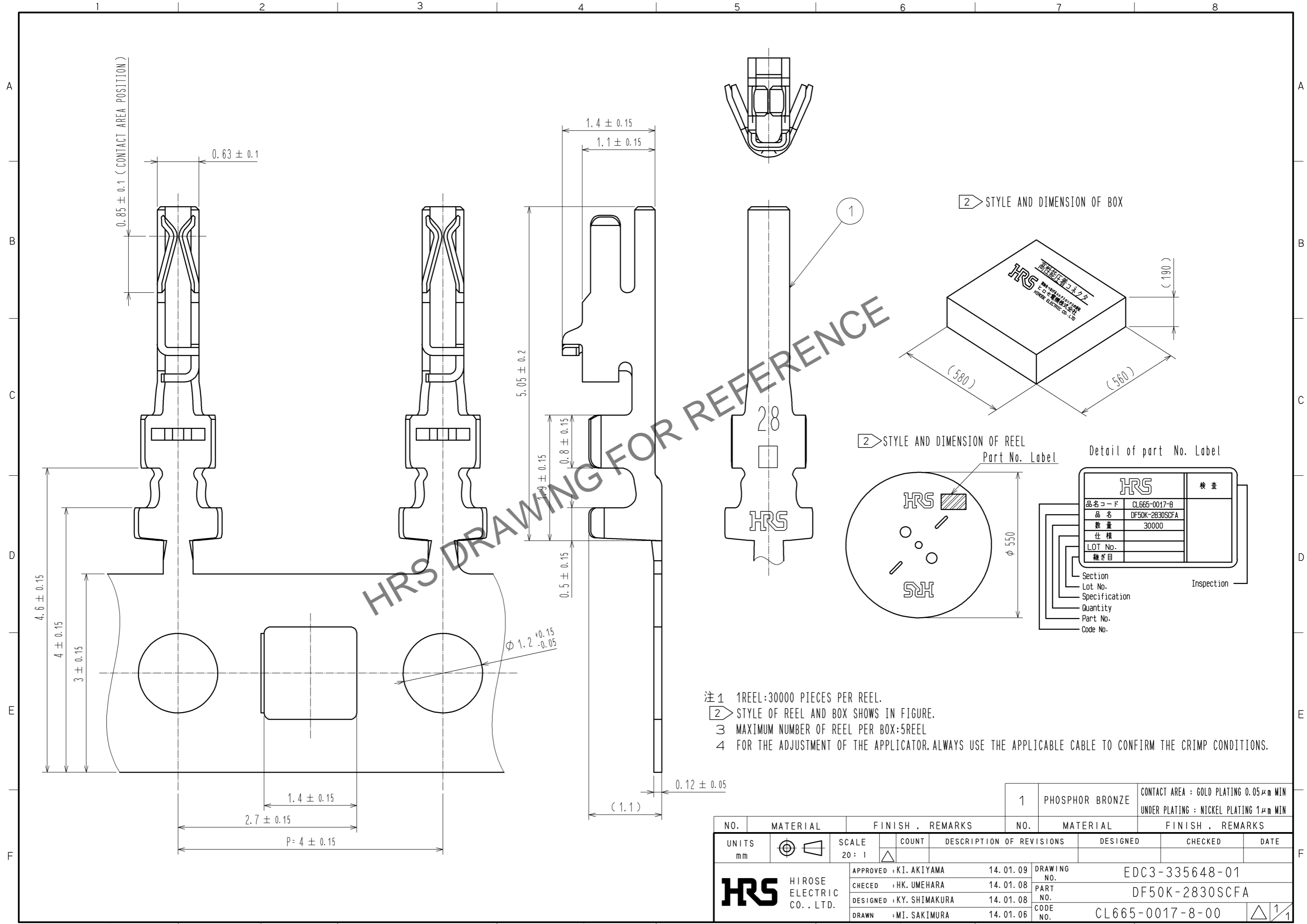
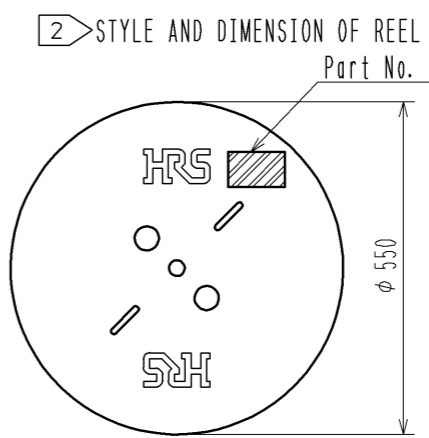
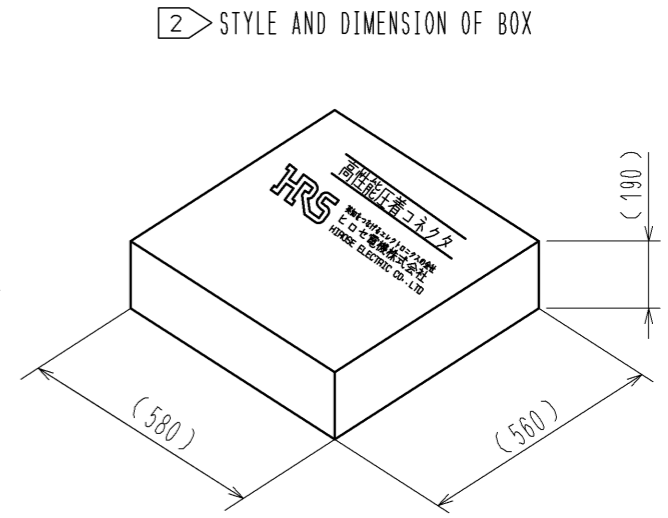


Jul.1.2024 Copyright 2024 HIROSE ELECTRIC CO., LTD. All Rights Reserved.
 In case of consideration for using Automotive equipment / device which demand high reliability, kindly contact our sales window correspondents.



- 注1 1REEL:30000 PIECES PER REEL.
 注2 STYLE OF REEL AND BOX SHOWS IN FIGURE.
 注3 MAXIMUM NUMBER OF REEL PER BOX:5REEL
 注4 FOR THE ADJUSTMENT OF THE APPLICATOR, ALWAYS USE THE APPLICABLE CABLE TO CONFIRM THE CRIMP CONDITIONS.



Detail of part No. Label

| | | |
|---------|----------------|----|
| HRS | | 検査 |
| 品名コード | CL665-0017-8 | |
| 品名 | DF50K-2830SCFA | |
| 数量 | 30000 | |
| 仕様 | | |
| LOT No. | | |
| 継ぎ目 | | |

Section
 Lot No.
 Specification
 Quantity
 Part No.
 Code No.

Inspection

| | | | | | | | |
|-------------|---------------------------------|--------------------------|------------|--------------------------|--|---------|------|
| NO. | MATERIAL | FINISH . REMARKS | NO. | MATERIAL | FINISH . REMARKS | | |
| | | | 1 | PHOSPHOR BRONZE | CONTACT AREA : GOLD PLATING 0.05μm MIN UNDER PLATING : NICKEL PLATING 1μm MIN | | |
| UNITS mm | | SCALE 20 : 1 | COUNT | DESCRIPTION OF REVISIONS | DESIGNED | CHECKED | DATE |
| HRS | HIROSE ELECTRIC CO., LTD. | APPROVED : KI. AKIYAMA | 14. 01. 09 | DRAWING NO. | EDC3-335648-01 | | |
| | | CHECED : HK. UMEHARA | 14. 01. 08 | PART NO. | DF50K-2830SCFA | | |
| | | DESIGNED : KY. SHIMAKURA | 14. 01. 08 | CODE NO. | CL665-0017-8-00 | | |
| | | DRAWN : MI. SAKIMURA | 14. 01. 06 | | | | |