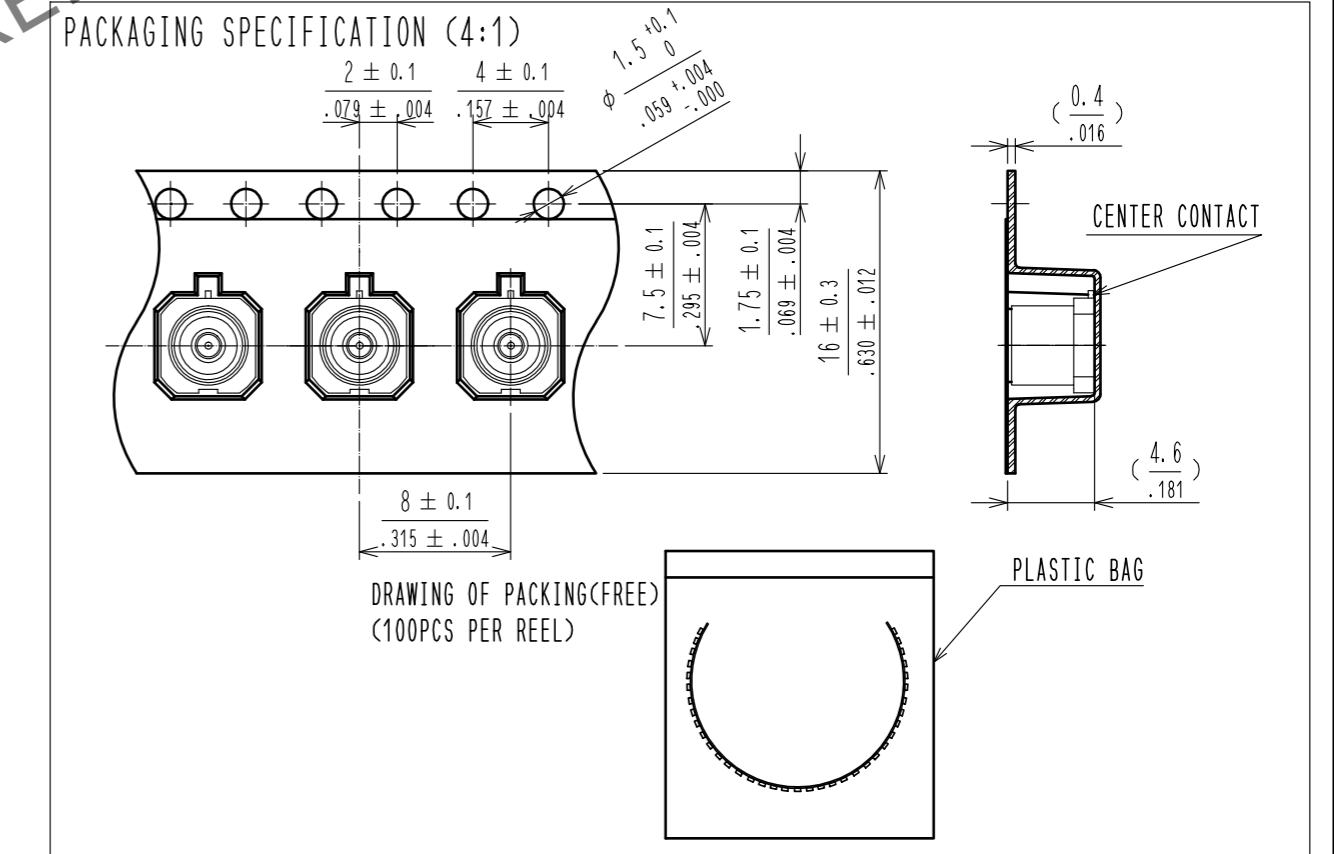
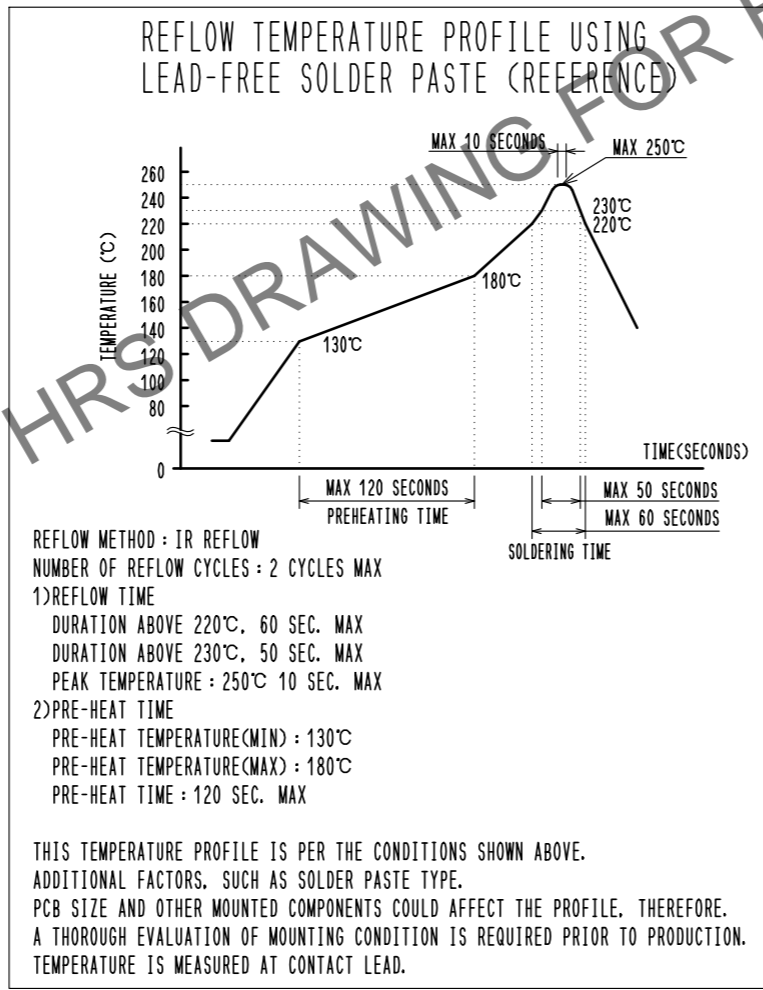
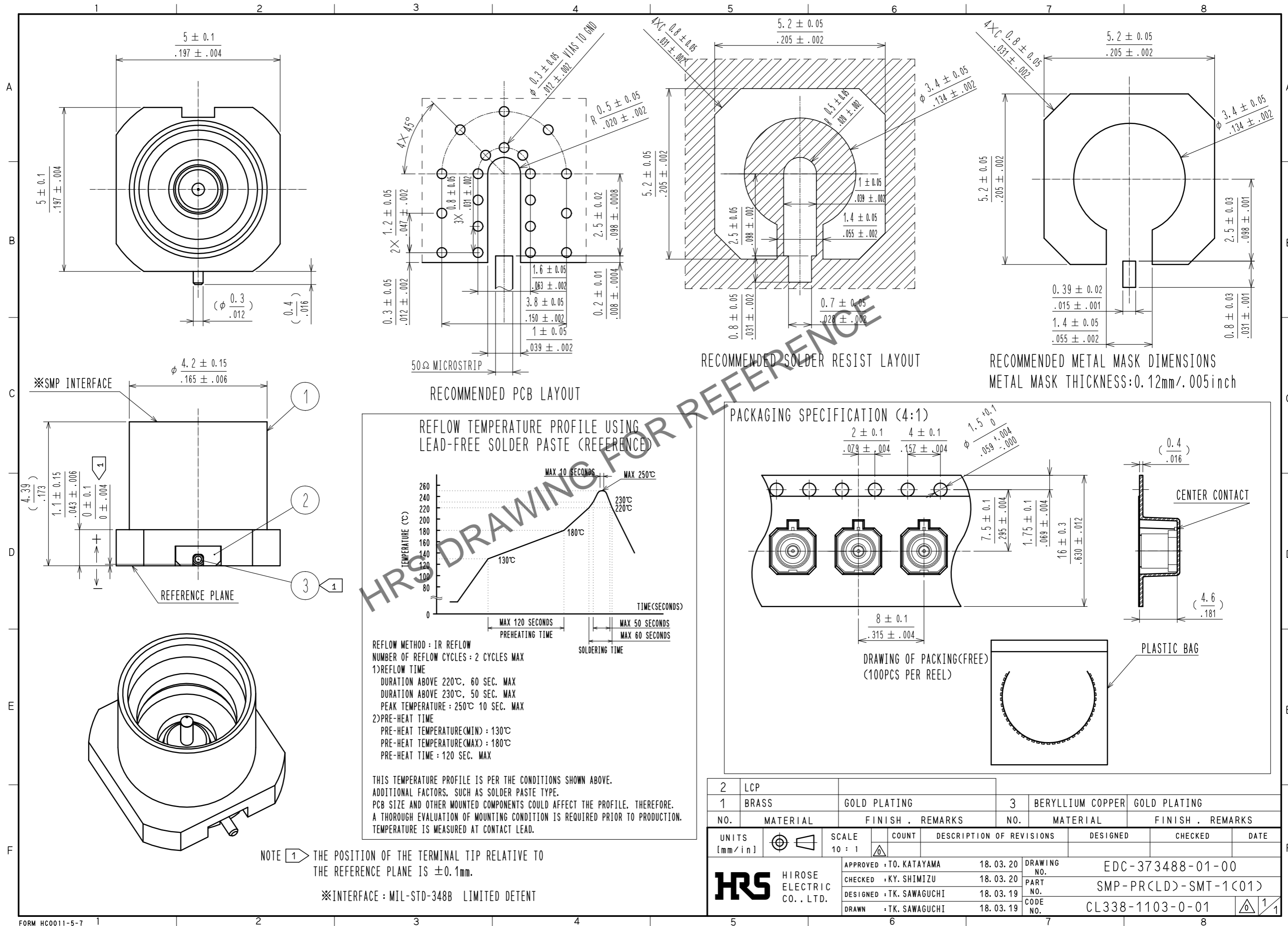


Jul.1.2024 Copyright 2024 HIROSE ELECTRIC CO., LTD. All Rights Reserved.  
 In case of consideration for using Automotive equipment / device which demand high reliability, kindly contact our sales window correspondents.



2	LCP			3	BERYLLIUM COPPER	GOLD PLATING	
1	BRASS	GOLD PLATING					
NO.	MATERIAL	FINISH	REMARKS	NO.	MATERIAL	FINISH	REMARKS
UNITS [mm/in]	①	SCALE 10:1	COUNT	DESCRIPTION OF REVISIONS	DESIGNED	CHECKED	DATE
APPROVED : TO. KATAYAMA 18.03.20 CHECKED : KY. SHIMIZU 18.03.20 DESIGNED : TK. SAWAGUCHI 18.03.19 DRAWN : TK. SAWAGUCHI 18.03.19				DRAWING NO. EDC-373488-01-00 PART NO. SMP-PR(LD)-SMT-1(C01) CODE NO. CL338-1103-0-01			

NOTE ① THE POSITION OF THE TERMINAL TIP RELATIVE TO THE REFERENCE PLANE IS ±0.1mm.  
 ※INTERFACE : MIL-STD-348B LIMITED DETENT