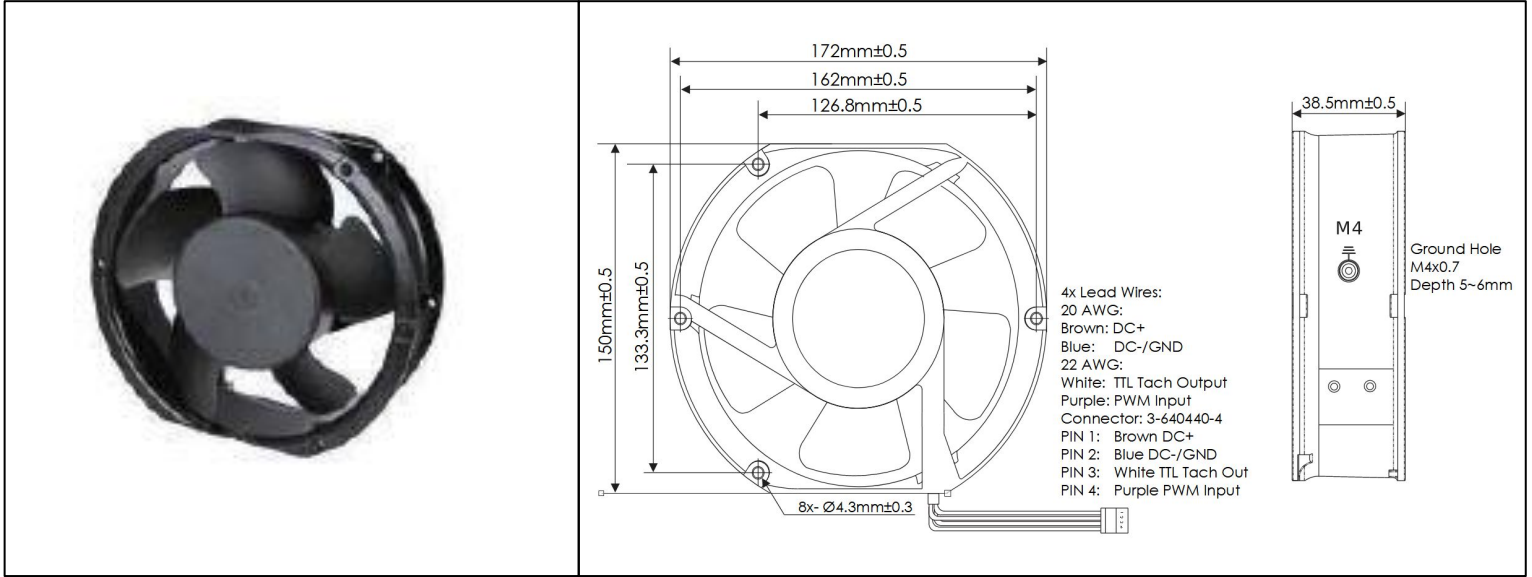


# OD172SAPL-48HB10(21)

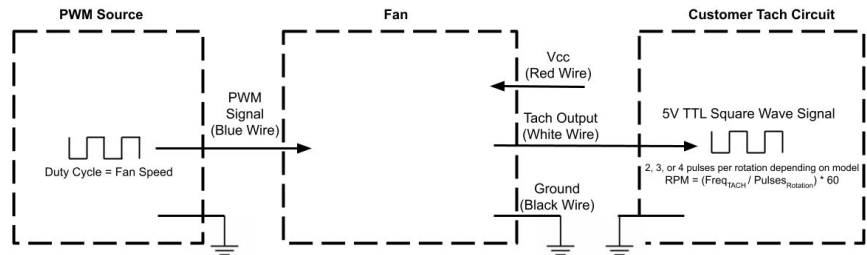


DC Fan, 48V  
172 x 150 x 38mm (6.7" x 5.9" x 1.5")



Frame	Die Cast Aluminum, Black Finish	<b>Operating Temperature</b> -20°C ~ +65°C	<p>Static Pressure ("H<sub>2</sub>O")</p> <p>Airflow (CFM)</p>
Impeller	PBT, UL94 V-0 Plastic	<b>Storage Temperature</b> -20°C ~ +75°C	
Connection	4x Wire Leads	<b>Life Expectancy</b> 80,000 Hours (L10 at 40°C)	
Motor	Brushless DC, Auto Restart, Auto Cutoff, Electronically Protected, Polarity Protected	<b>Installed Options</b> TTL Tachometer Output PWM Input	
Bearing System	Dual Ball Bearings	Weight: 1.7 lbs	
Dielectric Strength	500VAC/min, < 1mA		
Insulation Resistance	≥10MΩ @ 500VDC		

Part Number	OD172SAPL-48HB10(21)
Rated Voltage (Volts DC)	48 VDC
Voltage Range (Volts DC)	28 ~ 52
Rated Wattage (Watts)	24
Rated Current (Amps)	0.48
Rated Speed (RPM)	3950
Airflow (CFM)	224.2
Noise Level (dBA)	55.3
Max. Static Pressure (" H <sub>2</sub> O)	0.73



Tach Output Voltage: 5V  
Tach Pulses Per Rotation: 2  
PWM Max Sink Current: 5mA  
PWM Frequency Range: 1KHz ~ 100KHz  
PWM Typical Frequency: 25KHz  
PWM Minimum Duty Cycle for fan startup: 30%  
RPM at 0% Duty Cycle: 0 RPM  
RPM will be full speed if PWM input is disconnected.