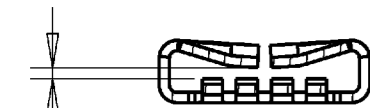
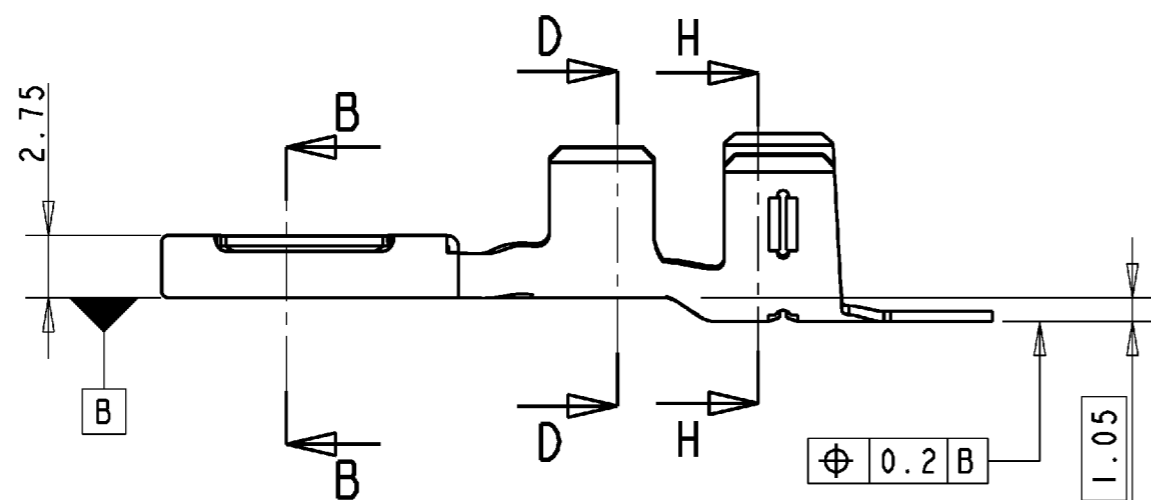


LOC	DIST	REVISIONS					
F	00	P	LTR	DESCRIPTION	DATE	DWN	APVD
		A		FIRST ISSUE	07MAY2008	FSf	JDr

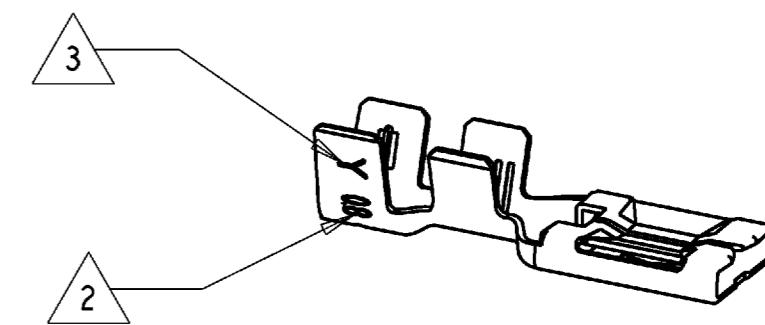
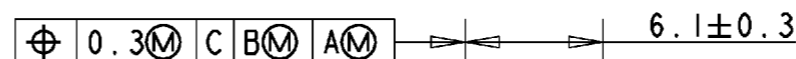
COUPE B-B
SECTION B-B



0.5±0.2
 REGLAGES EN FONCTION DES
 FORCES D'INSERTION SUR CALIBRE
 SET IN FUNCTION OF THE
 INSERTION FORCE ON CHECK TAB

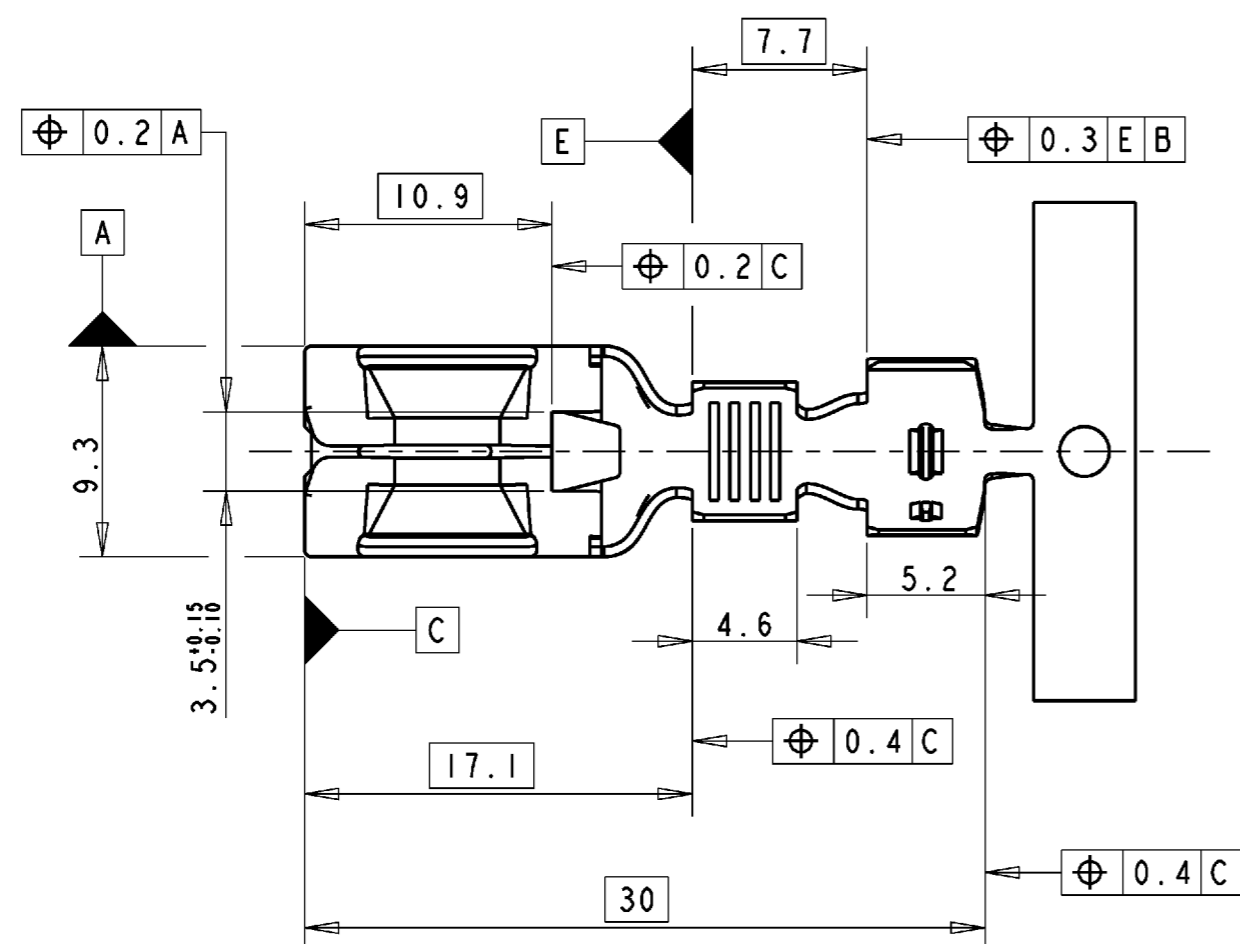
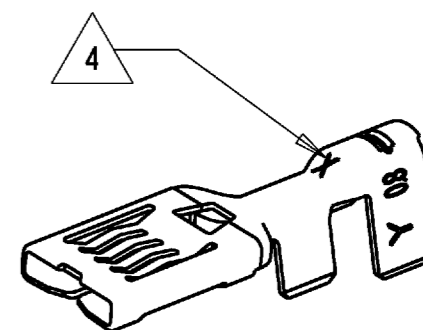
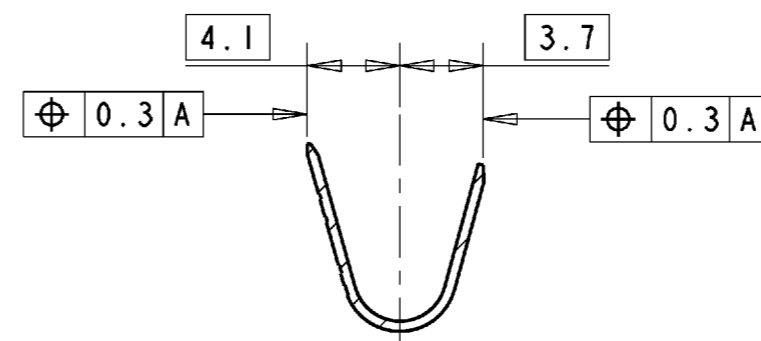


SECTION D-D
SECTION D-D



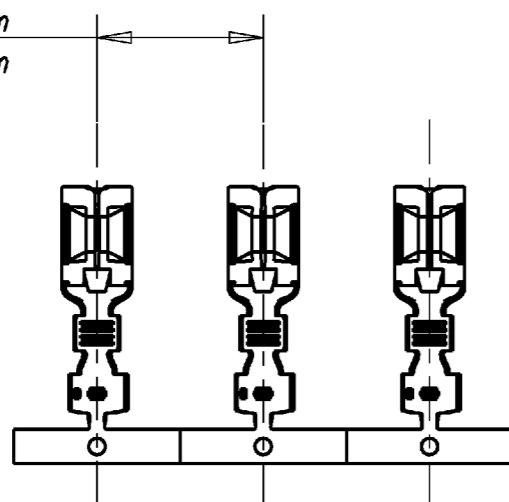
ECHELLE 2:1
SCALE 2:1

SECTION H-H
SECTION H-H



NOTE	NOTE
1 CONDITIONNEMENT : VOIR SPECIFICATION 107-15602	PACKAGING : SEE SPECIFICATION 107-15602
2 MARQUAGE "0.8" POUR CLIP AVEC ENTREFER REGLE POUR UTILISATION SUR LANGUETTE D'ÉPAISSEUR 0.8mm.	"0.8" MARKING FOR RECEPTACLE CONTACT WITH GAP SET FOR USE WITH 0.8mm THICK TAB
3 MARQUAGE MATIERE VOIR TABLEAU DES REFERENCES	MATERIAL MARKING SEE PART NUMBER TABLE
4 MARQUAGE GAMME: "B" POUR GAMME 5-6mm ²	RANGE MARKING: "B" FOR RANGE 5-6mm ²
5 PLAN D'INTERMONTABILITE: 1544953	INTERFACE CAVITY DRAWING: 1544953

PAS: 22mm
PITCH: 22mm



ECHELLE 1:1
SCALE 1:1

1801432-1	CLIP 8mm MAXIFUSE PLUS G: 5-6mm ² 8mm MAXIFUSE PLUS RECEPTACLE WIRE RANGE: 5-6mm ²	CuNiSi CuNiSi	"S"	PRE-ETAME SnAg(1-3%): 1-3µm PRE-TINNED SnAg(1-3%): 1-3µm
REF TYCO ELECTRONICS TYCO ELECTRONICS PN	DESIGNATION DESCRIPTION	MATIERE MATERIAL	MARQUAGE MATERIE MATERIAL MARKING	FINITION FINISH

<small>THIS DRAWING IS A CONTROLLED DOCUMENT FOR TYCO ELECTRONICS CORPORATION IT IS SUBJECT TO CHANGE AND THE CONTROLLING ENGINEERING ORGANIZATION SHOULD BE CONTACTED FOR THE LATEST REVISION.</small>		DWN F. SAPET 07MAY2008	Tyco Electronics France SAS RN 90, 38530 Chapareillan	
<small>TOLERANCES UNLESS OTHERWISE SPECIFIED:</small> 0 PLC ±0.2 1 PLC ±0.2 2 PLC ±0.2 3 PLC ±0.2 4 PLC ±0.2 ANGLES ±5° FINISH SEE TABLE		CHK P. FLORES 07MAY2008	NAME RECEPT CONTACT, 8MM MAXIFUSE PLUS, WIRE RANGE 5-6MM ² CLIP 8MM MAXIFUSE PLUS - G: 5-6MM ²	
<small>DIMENSIONS:</small> mm		APVD J. DAHER 07MAY2008	PRODUCT SPEC 108-15392 APPLICATION SPEC 114-15106	
SEE TABLE		WEIGHT 0.0023kg	SIZE A2	RESTRICTED TO -
SEE TABLE		CUSTOMER DRAWING	CAGE CODE 00779	SCALE 3:1
		DRAWING NO C-1801432	SHEET 1	REV A