



SCHROFF

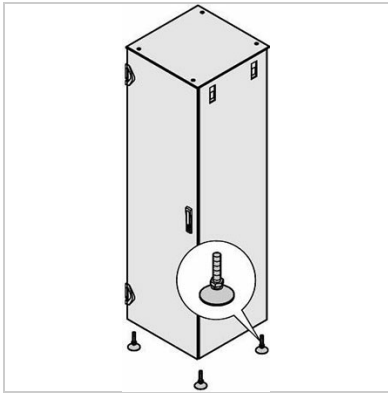
Project - 0 Item(s)

MY PROJECT LIST

- PRODUCTS
- APPLICATIONS
- INDUSTRIES
- NEW PRODUCTS
- CONFIGURATORS
- Products ▾
- Search
- 🔍

Home > Products > Adjustable feet, for frame (Varistar)

Adjustable feet, for frame (Varistar)



Catalog Number: 23130-079

[Back To Product](#)

- Static load-carrying capacity 1000 kg
- Mounts onto frame

Product family:

Varistar

Note:

Not suitable in connection with base/plinth

Accessory category:

Feet/ castors



Select product specifications before modifying or adding to project list or requesting a quote.

[Clear Selection](#)

Quantity

Modify Product ▶

Add Item to Project List +

Documents

- Main Catalog - Varistar platform
- Main Catalog - Varistar Datacom/Networking
- User manual

Links

- Native CAD files

Recently Viewed

Adjustable feet, for frame (Varistar)

Technical Data

Qty	PU 4 pieces
Description	150 kg per foot

Delivery Comprises:

Item	Quantity	Description
1	4	Adjustable foot; Height 20 mm ... 40 mm

Accessories

<p>EXPLORE</p> <ul style="list-style-type: none"> About Us Services & Capabilities News & Events Newsletter Subscriptions Strategic Partnerships Investor Relations 	<p>CONTACT</p> <ul style="list-style-type: none"> Customer Service Find a Sales Office or Distributor Global Locations Product Compliance & Certifications Partner Login 	<p>DOWNLOAD</p> <ul style="list-style-type: none"> Download Center Reference Projects Videos Product Configurators Warranties and Terms of Sale & Procurement
--	--	---

Connect With Us

