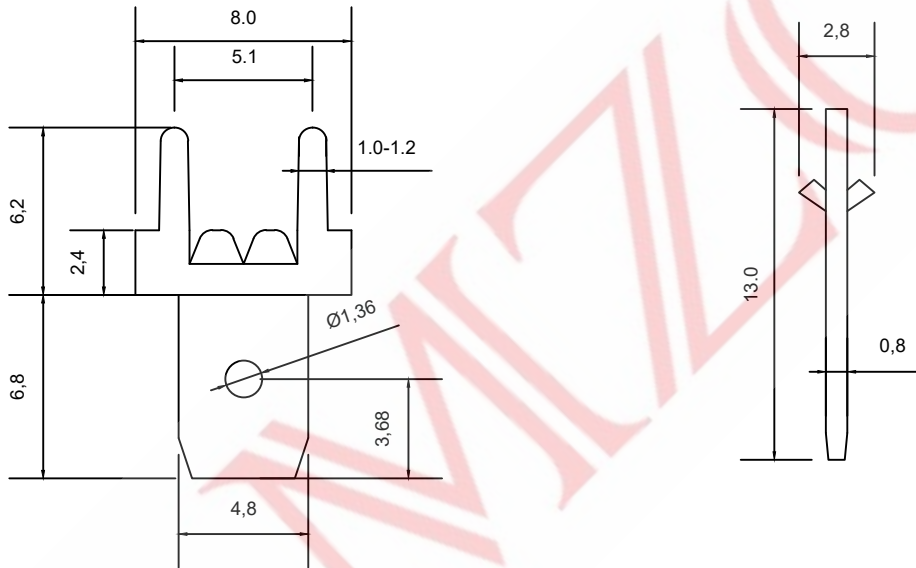


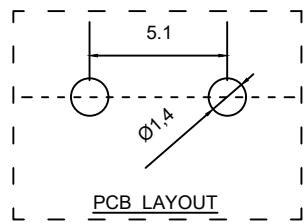
1 SAMZO REAC/ROHS

REV	ECN NO	DESCRIPTION	DESIGN	APPROVAL	DATE
A1	NEW	Replace frame			2023.09.03



TERMINAL:  
 >MATERIAL:C2680  
 >THICKNESS:0.8mm  
 >BAG QTY:5000PCS

NOTE:  
 1. CURRENT RATING:10A MAX  
 2. VOLTAGE RANGE:220V AC.DC  
 3. TEMPERATURE RANGE:-20°C TO 105°C



ITEM	DESCRIPTION	MATERIAL	QTY	FINSH/COLOR					
A	主体	黄铜	1	镀锡					
					GENERAL TOLERANCE				
					≥0~2<	±0.15			
					DESIGN	WANGUIFA	2018.06.12	≥2~5<	±0.25
					CHECKED	ZHENGUILAN	2018.06.12	≥0~2<	±0.15
					APPROVED	LILIANJIANG	2018.06.14	≥5	±0.35

FIRST VIEW

The copyright belongs to samzo parts [China] Co., Ltd. please use the material after samzo parts agree to authorize. The final right of interpretation belongs to samzo parts. WWW.KKK-JP.COM

SCALE 1:1 UNIT mm

**SAMZO COMPONENTS**  
 Electronic switch and connector manufacturer

TITLE::	4.8*13.0*0.8 Ø1.36
DWG NO:	G48-11P05
PART NO:	G482308110
MODEL NO:	G480-09-3T
NAME:	GASKET