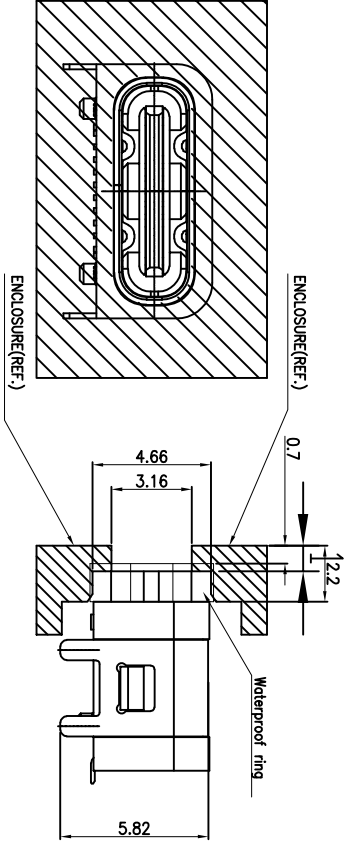
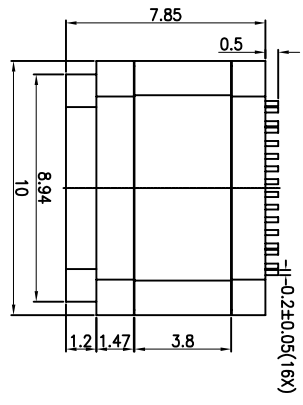
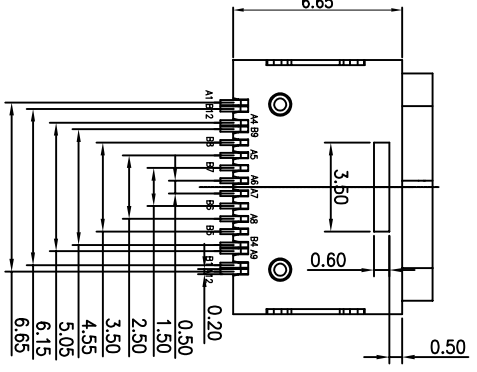
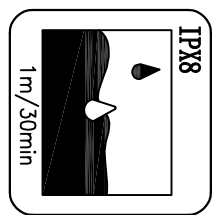
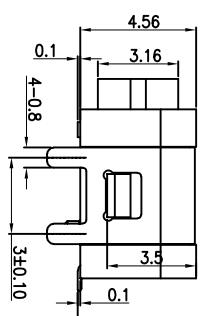
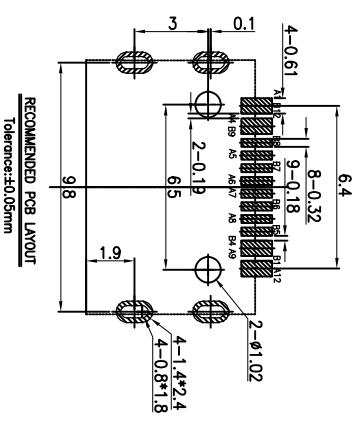
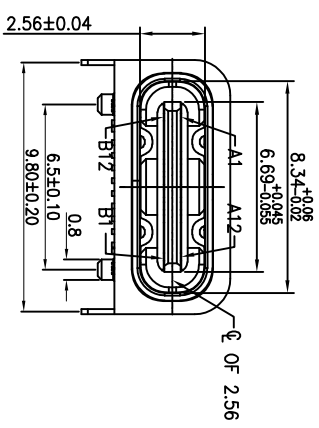


REV.	ECN NO.	DESCRIPTION	DATE	DESIGN



- NOTES:  
SPECIFICATION:
- CURRENT RATING: 5.0A MAX
  - VOLTAGE: 30 VAC
  - TEMPERATURE RANGE: -30 °C ~ 85 °C
  - CONTACT RESISTANCE: 40 MILLIONHM MAX
  - INSULATION RESISTANCE: 100 MEGOHMS MIN.
  - INSERTION FORCE : 6N~20N
  - UNMATING FORCE: 8N~20N
  - DURABILITY: 10,000 CYCLES
  - WATER PROOFNESS: THIS PRODUCT IS BASED ON IPX8(1.5M 30min).

＜防水等級IPX7 1.5米深 30分物＞



USB TYPE-C PIN ASSIGNMENTS

PIN NUMBER	SIGNAL NAME	PIN NUMBER	SIGNAL NAME
A1	GND	B12	GND
A4	VBUS	B9	VBUS
A5	CC1	B8	SBU2
A6	Dp1	B7	Dn2
A7	Dn1	B6	Dp2
A8	SBU1	B5	CC2
A9	VBUS	B4	VBUS
A12	GND	B1	GND

NO	DESCRIPTION	QTY	MATERIAL	REMARKS
6	Run-RING	1PCS	Silica gel	BLACK
5	SHELL	1PCS	STAINLESS STEEL	NI Plated:40U"MIN
4	SHIELDING PLATE	1PCS	STAINLESS STEEL	NI Plated:40U"MIN
3	CONTACT	1SET	Brass	Contact Plating: Au (1u"-3u") Soldering Plating: Au (1u")
2	SHELL HOUSING	1PCS	LCP	BLACK
1	HOUSING	1PCS	LCP	BLACK

TOLERANCE

X.X	±0.30	X.*	±10'
.XX	±0.20	.X'	± 8'
.XXX	±0.10	.XX'	± 5'

UNITS: mm

MATERIAL: ---

FINISH: ---

NAME(INTENDED USE)  
CUSTOMER DRAWING

PART NO. FY23-012TC161F1785-02

TITLE: CF 6P防水母座板上.7.85L

DESIGN: ZXM

CHEG: ---

APPD: ---

DRAWG NO. FY23-012TC161F1785-02

SCALE 1:1

SHEET 1/2

REV. A