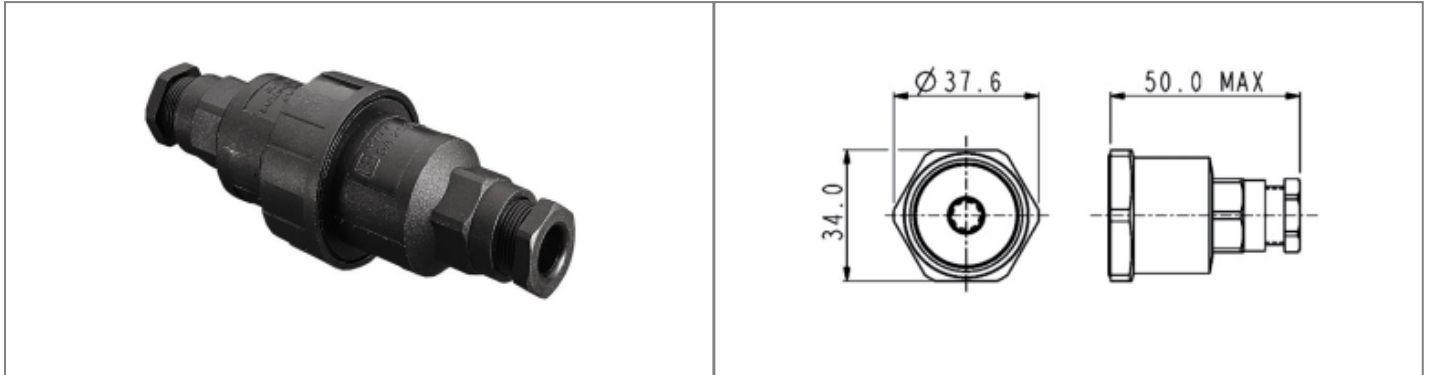


PX0777/UTP Datasheet

Product Name // In-Line Sealed Cable Joiner PX0777 Series UTP Ethernet RJ45 Coupler

[View Product Page](#)


// Product Description:

- ⊞ Sealed In-Line Cable Joiner
- ⊞ Water and dustproof to IP68 when mated with compatible connector
- ⊞ Supplied with 3, 4, 6 or 8 way Terminal Block (for Power connections) or UTP/STP Coupler (for Ethernet connections)
- ⊞ Data connector available with Unshielded (UTP), Shielded (STP) and CAT5e Shielded Couplers
- ⊞ Data connector supplied with three Cable Glands in sizes: 3.5mm-5mm (blue), 5mm-7mm (green), 6mm-8mm (red)
- ⊞ Choice of cable acceptance for Power connector 3.5mm-9mm diameter depending on part code (see data for details)
- ⊞ Cable Glands for differing cable diameters available separately individually or in packs
- ⊞ Choice of body colour depending on part code:
- ⊞ Part codes with suffix /OR - Orange
- ⊞ Part codes with no suffix - Black

// General Information:

Product Display Title:	Sealed In-Line Cable Joiner
Product Family:	Circular Data Connectors
Product Series:	Standard Buccaneer - Ethernet
Body Material:	Polyamide (PA)- Glass Filled
Contact Type:	UTP RJ45 Coupler
Coupling Type:	Screw
Diameter Over Coupling Ring Mm:	38.1mm
Flamability Rating:	UL94V-0
Function:	Flex to Inline Sealed Cable Joiner
Ip Rating:	IP68, IP69K
Max Operating Temperature:	+70°C
Min Operating Temperature:	-20°C
Rohs Compliant:	Yes
Voltage Max:	42V

// Product PDF Links

[Standard Series Ethernet...](#)

// Product 3D CAD Model Links

[PX0777/UTP3D CAD Model](#)