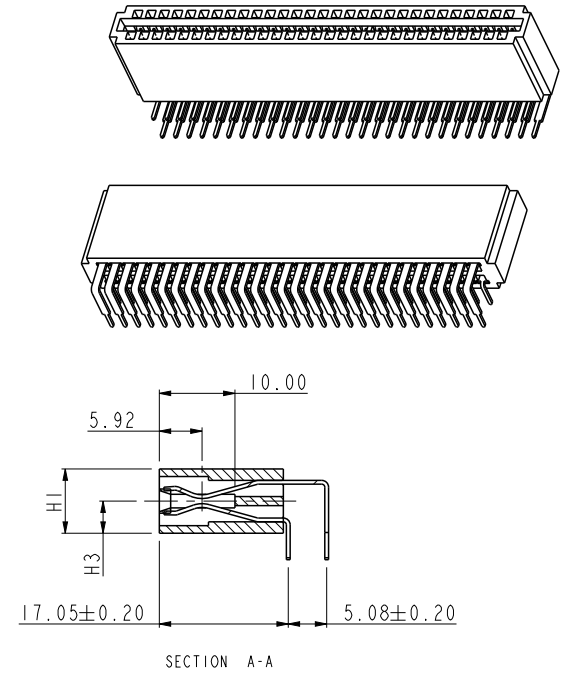
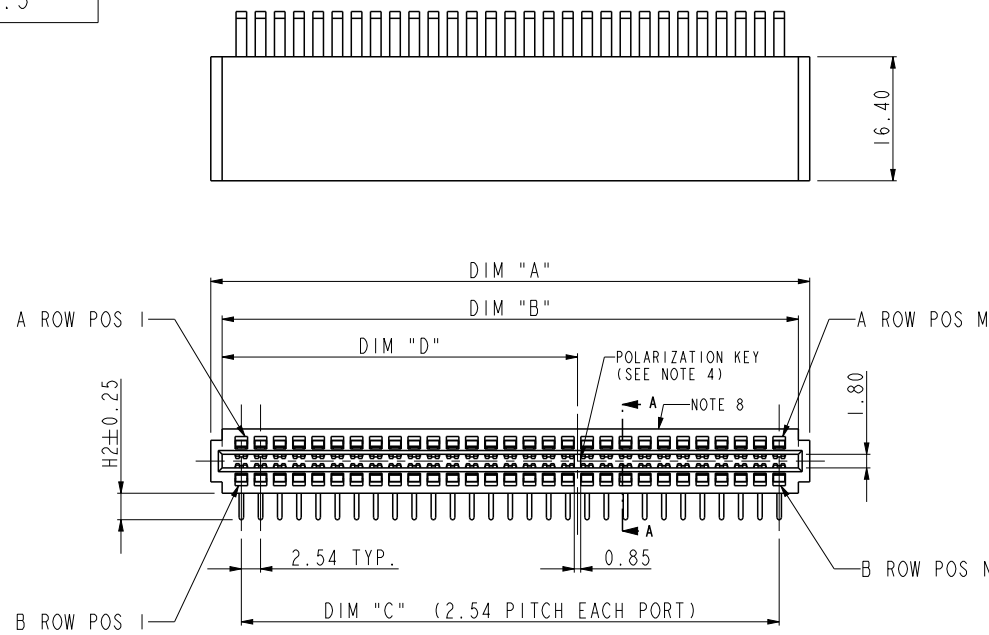


PRODUCT NO.  
10035388-XXX\_-  
NOTE: 5



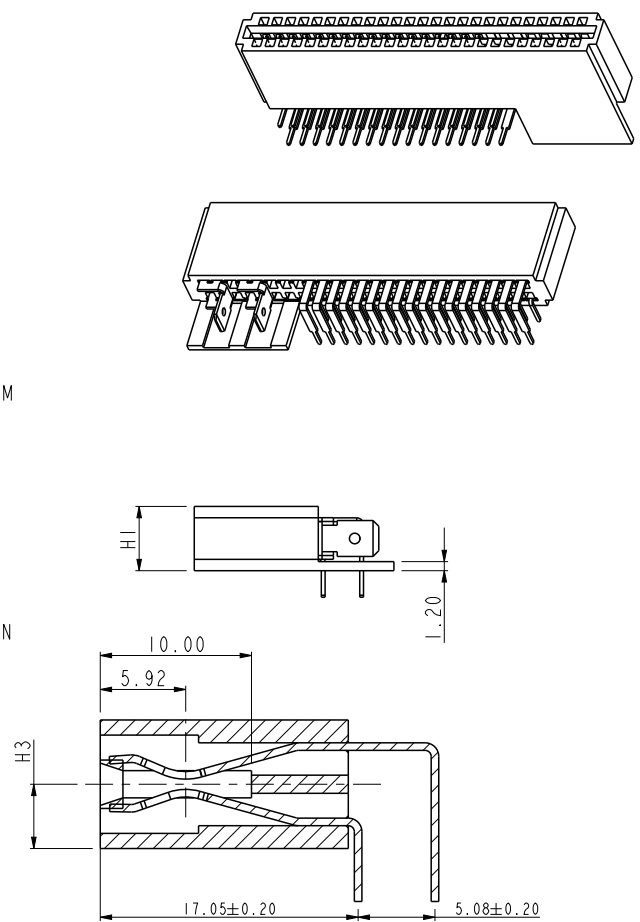
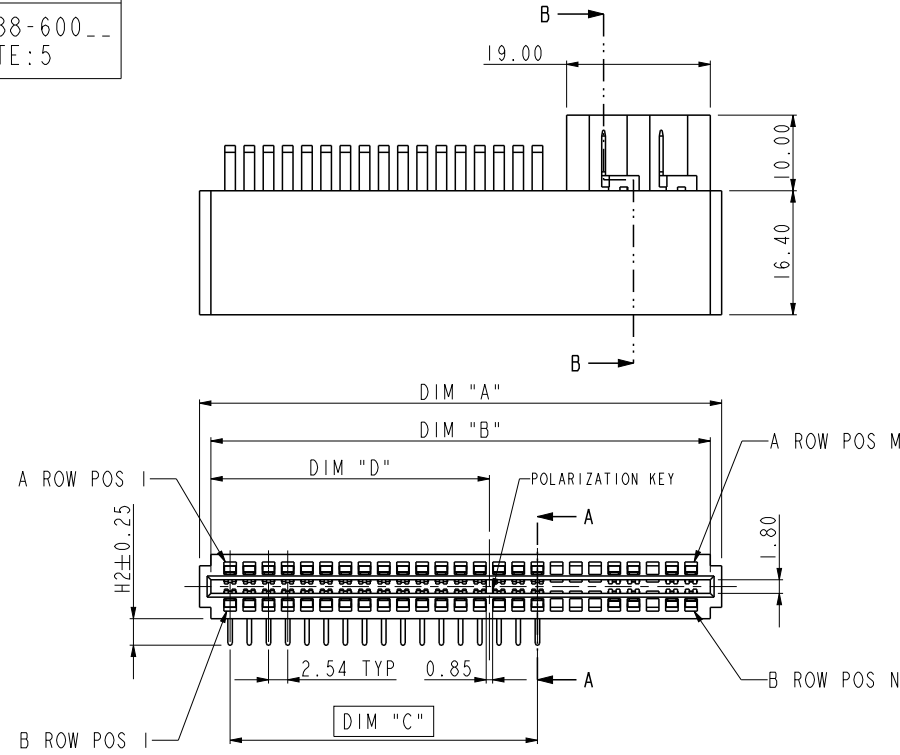
NOTE:

- MATERIAL:  
HOUSING: HIGH TEMPERATURE THERMOPLASTIC, UL 94 V-0 RATED, BLACK.  
TERMINAL: HIGH CONDUCTIVITY COPPER ALLOY.
- PRODUCT SPECIFICATION: GS-12-259.
- PACKAGE SPECIFICATION: GS-14-937
- THERE IS NO POLARIZATION KEY IN 10035388-102/103/104/105/106/107/108/110/114/119/120/121/122/123/125/126/126A/202/203/204/205/206/207/500/700/800/802/902/903/904/905/909/910/911/912/913.
- PLATING SPEC:  
10035388-XXX:  
POWER PIN: CONTACT AREA - 30u" GOLD OVER 50u" NICKEL UNDER PLATED.  
SOLDER TAIL - 100u" TIN/LEAD OVER 50u" NICKEL UNDER PLATED.  
AC TERMINAL: 50u" NICKEL UNDER PLATED; 30u" GOLD ON CONTACT AREA.  
10035388-XXXLF:  
POWER PIN: CONTACT AREA - 30u" GOLD OVER 50u" NICKEL UNDER PLATED.  
SOLDER TAIL - 100u" PURE MATTE TIN OVER 50u" NICKEL UNDER PLATED.  
AC TERMINAL: 50u" NICKEL UNDER PLATED; 30u" GOLD ON CONTACT AREA.
- P/N 10035388-XXXLF MEETS EUROPEAN UNION DIRECTIVE AND OTHER COUNTRY REGULATIONS AS DESCRIBED IN GS-22-008.
- THE HOUSING WILL WITHSTAND EXPOSURE TO 260°C PEAK TEMPERATURE FOR 10 SECONDS IN A WAVE SOLDER APPLICATION WITH A CIRCUIT BOARD.  
PRODUCT MARKING ON HOUSING IN AREA SHOWN MEETS AFCI SPECIFICATION: GS-24-007.

spec ref		*	dr De-Ming Lu		2014/08/06	<h1 style="margin: 0;">Amphenol Power Solutions</h1> <p style="margin: 0;">A Division of Amphenol Corporation    amphenol-icc.com</p>	MM	scale	size	
tolerance std		TOLERANCES UNLESS OTHERWISE SPECIFIED	eng Ada Ye		2021/07/16		←	1:1	A4	
ISO 406			r vwr		-		ecn no ELX-DG-41134-1			
ISO 1101			appr Zheng, Pei-Min		2021/07/16		rel level Released			
surface		linear	0.X	±0.5	projection	title	POWER EDGE CARD CONNECTOR		10035388	rev
ISO 1302		angular	0°	±2°			WITHOUT SIGNAL ASSY		cat. no.	-
product family						-	Product - Customer Drw		sheet 1 of 7	

Creo File:APH-PWR-ACC\_REV B\_2021-09-07

PRODUCT NO.  
10035388-600\_\_  
NOTE: 5



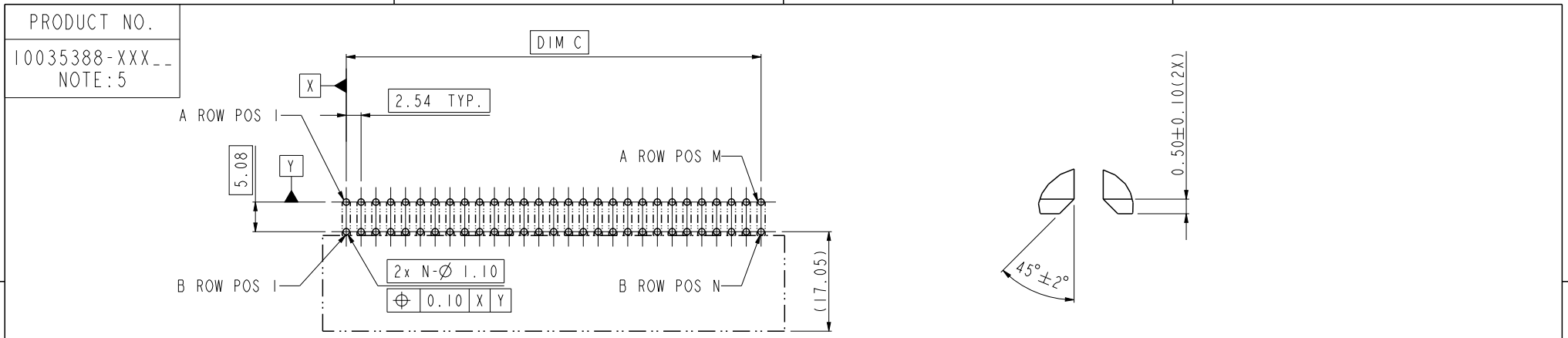
NOTE:  
(APPLY TO 10035388-600\_\_ AS ADDITIONAL)  
10. THE EMPTY POSITIONS ARE 18, 19, 20, 23.  
11. THERE ARE 2 AC TERMINALS.

SECTION A-A  
SCALE 2:1

SECTION B-B  
SCALE 2:1

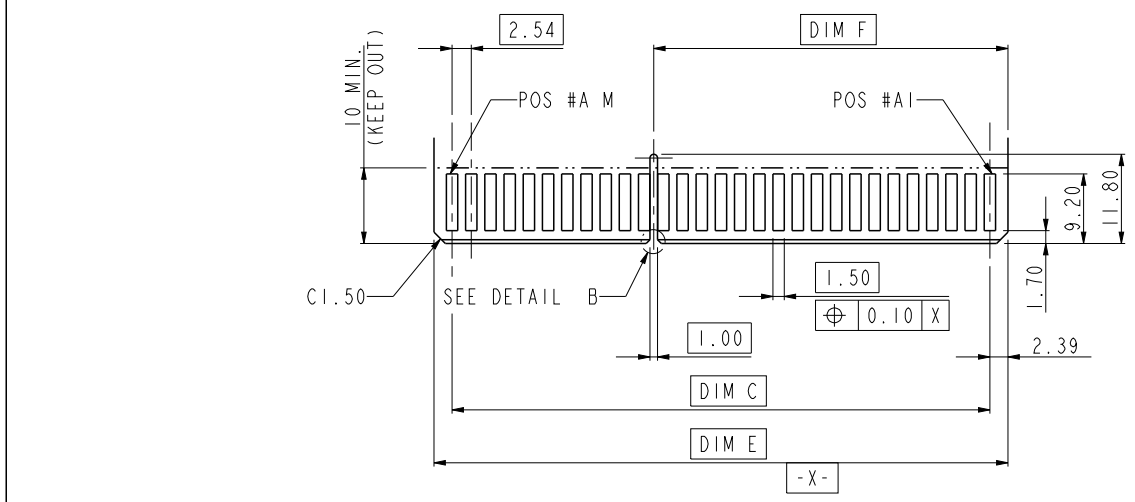
spec ref *		dr De-Ming Lu		2014/08/06		<h1 style="text-align: center;">Amphenol Power Solutions</h1>		MM		scale 1:1		size A4			
tolerance std		eng Ada Ye		2021/07/16				ecn no ELX-DG-41134-1		Released					
ISO 406 ISO 1101		r vwr -		-				rel level							
ISO 1302		appr Zheng, Pei-Min		2021/07/16		A Division of Amphenol Corporation amphenol-icc.com									
TOLERANCES UNLESS OTHERWISE SPECIFIED		projection				title POWER EDGE CARD CONNECTOR WITHOUT SIGNAL ASSY		surface - linear		0.X ±0.5 0.XX ±0.25 0.XXX ±0.10		drg no 10035388		rev AR	
angular 0° ±2°		product family -						Product - Customer Drw		cat. no. -		sheet 2 of 7			

Creo File: APH-PWR-ACC\_REV B\_2021-09-07

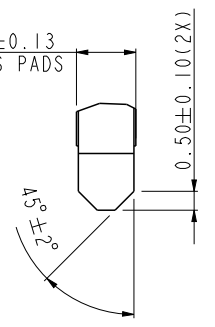
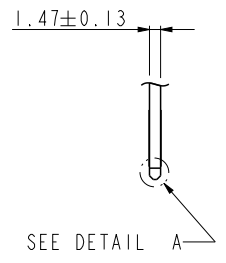


RECOMMENDED PCB LAYOUT

DETAIL B  
SCALE 5:1



RECOMMENDED DAUGHTER CARD LAYOUT (TOP SIDE)



DETAIL A  
SCALE 5:1

spec ref *		dr De-Ming Lu 2014/08/06		<h1 style="text-align: center;">Amphenol Power Solutions</h1> <p style="text-align: center;">A Division of Amphenol Corporation amphenol-icc.com</p>		MM		scale 1:1	size A4												
tolerance std		eng Ada Ye 2021/07/16				ecn no ELX-DG-41134-1		rel level Released													
ISO 406 ISO 1101		r vwr - -				app r Zheng, Pei-Min 2021/07/16		rev													
TOLERANCES UNLESS OTHERWISE SPECIFIED		projection		title POWER EDGE CARD CONNECTOR WITHOUT SIGNAL ASSY		10035388		rev AR													
surface -		<table border="1"> <tr> <td>linear</td> <td>0.X</td> <td>±0.5</td> </tr> <tr> <td></td> <td>0.XX</td> <td>±0.25</td> </tr> <tr> <td></td> <td>0.XXX</td> <td>±0.10</td> </tr> <tr> <td>angular</td> <td>0°</td> <td>±2°</td> </tr> </table>				linear	0.X	±0.5		0.XX	±0.25		0.XXX	±0.10	angular	0°	±2°	cat. no. -		product family - Product - Customer Drw	
linear	0.X	±0.5																			
	0.XX	±0.25																			
	0.XXX	±0.10																			
angular	0°	±2°																			
ISO 1302		<table border="1"> <tr> <td>linear</td> <td>0.X</td> <td>±0.5</td> </tr> <tr> <td></td> <td>0.XX</td> <td>±0.25</td> </tr> <tr> <td></td> <td>0.XXX</td> <td>±0.10</td> </tr> <tr> <td>angular</td> <td>0°</td> <td>±2°</td> </tr> </table>		linear	0.X	±0.5		0.XX	±0.25		0.XXX	±0.10	angular	0°	±2°	product family - Product - Customer Drw		sheet 3 of 7			
linear	0.X	±0.5																			
	0.XX	±0.25																			
	0.XXX	±0.10																			
angular	0°	±2°																			

Creo File: APH-PWR-ACC; REV B; 2021-09-07

**Amphenol  
Power Solutions**

© 2021 Amphenol Corporation

1			2				3			4			
PRAT NO.	DIM"A"	DIM"B"	DIM"C"	DIM"D"	DIM"E"	DIM"F"	H1	H2	H3	PIN CONFIGURATION	M	N	
10035388-000 10035388-000LF	79.20	76.20	71.12	46.99	75.90	46.84	8.50	3.50	4.25	ALL LOADED	29	29	
10035388-001 10035388-001LF	79.20	76.20	71.12	46.99	75.90	46.84	8.50	3.50	4.25	A1: [P P] A29 B1: [P P] B29	29	29	
10035388-100 10035388-100LF	69.04	66.04	60.96	36.83	65.74	36.68	8.50	3.50	4.25	ALL LOADED	25	25	
10035388-101 10035388-101LF	69.04	66.04	60.96	36.83	65.74	36.68	8.50	3.50	4.25	A1: [P P] A25 B1: [P P] B25	25	25	
10035388-102 10035388-102LF	69.04	66.04	60.96	N/A	65.74	N/A	8.50	3.50	4.25	ALL LOADED	25	25	
10035388-103 10035388-103LF	69.04	66.04	60.96	N/A	65.74	N/A	8.50	3.50	4.25	A1: [P P] A25 B1: [P P] B25	25	25	
10035388-104 10035388-104LF	69.04	66.04	60.96	N/A	65.74	N/A	8.50	3.50	4.25	A1: [P P] A25 B1: [P P] B25	25	25	
10035388-105 10035388-105LF	69.04	66.04	60.96	N/A	65.74	N/A	8.50	3.50	4.25	A1: [P P] A25 B1: [P P] B25	25	25	
10035388-106 10035388-106LF	69.04	66.04	60.96	N/A	65.74	N/A	9.287	2.713	5.037	ALL LOADED	25	25	
10035388-200 10035388-200LF	84.28	81.28	76.20	52.07	80.98	51.92	8.50	3.50	4.25	ALL LOADED	31	31	
10035388-201 10035388-201LF	84.28	81.28	76.20	52.07	80.98	51.92	8.50	3.50	4.25	A1: [P P] A31 B1: [P P] B31	31	31	
10035388-202 10035388-202LF	84.28	81.28	76.20	N/A	80.98	N/A	8.50	3.50	4.25	ALL LOADED	31	31	
10035388-203 10035388-203LF	84.28	81.28	76.20	N/A	80.98	N/A	8.50	3.50	4.25	A1: [P P] A31 B1: [P P] B31	31	31	
10035388-205 10035388-205LF	94.44	91.44	86.36	N/A	91.14	N/A	8.50	3.50	4.25	A1: [P P] A35 B1: [P P] B35	35	35	
10035388-300 10035388-300LF	86.82	83.82	78.74	54.61	83.52	54.46	8.50	3.50	4.25	ALL LOADED	32	32	
10035388-301 10035388-301LF	86.82	83.82	78.74	54.61	83.52	54.46	8.50	3.50	4.25	A1: [P P] A32 B1: [P P] B32	32	32	

spec ref	*	dr	De-Ming Lu	2014/08/06		MM	scale	size	
tolerance std	TOLERANCES UNLESS OTHERWISE SPECIFIED	eng	Ada Ye	2021/07/16		←	1:1	A4	
ISO 406 ISO 1101		r vwr	-	-		→	ec n no	ELX-DG-41134-1	
surface	linear	appr	Zheng, Pei-Min	2021/07/16	A Division of Amphenol Corporation		amphenol-icc.com	rel level	Released
	0.X ±0.5	projection	POWER EDGE CARD CONNECTOR			diag no	10035388		rev
	0.XX ±0.25		WITHOUT SIGNAL ASSY			cat. no.	-		AR
	0.XXX ±0.10		product family			Product - Customer Drw		sheet 4 of 7	
ISO 1302	angular 0° ±2°								

Creo File:APH-PWR-ACC\_REV B\_2021-09-07

PRAT NO.	DIM"A"	DIM"B"	DIM"C"	DIM"D"	DIM"E"	DIM"F"	H1	H2	H3	PIN CONFIGURATION	M	N
10035388-400 10035388-400LF	61.42	58.42	53.34	29.21	58.12	29.06	8.50	3.50	4.25	ALL LOADED	22	22
10035388-500 10035388-500LF	76.66	73.66	68.58	N/A	73.36	N/A	8.50	3.50	4.25	ALL LOADED	28	28
10035388-600 10035388-600LF	69.04	66.04	40.64	36.83	65.74	36.68	8.50	3.50	4.25	AI P A25 BI P B25	25	25
10035388-700 10035388-700LF	86.82	83.82	78.74	N/A	83.52	N/A	8.50	3.50	4.25	ALL LOADED	32	32
10035388-800 10035388-800LF	48.72	45.72	40.64	N/A	45.42	N/A	8.50	3.50	4.25	ALL LOADED	17	17
10035388-802 10035388-802LF	48.72	45.72	40.64	N/A	45.42	N/A	8.50	3.50	4.25	AI P P P  P P  P P P P  P  P  P  A17 BI P P P  P P  P P P  P  P  P  B17	17	17
10035388-900 10035388-900LF	41.10	38.10	33.02	26.67	37.80	26.52	8.50	3.50	4.25	ALL LOADED	14	14
10035388-903 10035388-903LF	94.44	91.44	86.36	N/A	91.14	N/A	8.50	3.50	4.25	AI P P P P P P P P  P P P P P  P P P P P  P P P P P P  A35 BI P P P P P P P P  P P P P P  P P P P P  P P P P P P  B35	35	35
10035388-904 10035388-904LF	94.44	91.44	86.36	N/A	91.14	N/A	8.50	3.50	4.25	AI P P  P P  P P P P  P P  P P  P P P  P P  P P  A35 BI P P  P P  P P P P  P P  P P  P P P  P P  P P  B35	35	35
10035388-905 10035388-905LF	94.44	91.44	86.36	N/A	91.14	N/A	8.50	3.50	4.25	ALL LOADED	35	35
10035388-907 10035388-907LF	53.80	50.80	45.72	26.27	50.50	26.52	8.50	3.50	4.25	ALL LOADED	19	19
10035388-908 10035388-908LF	61.42	58.42	53.34	29.21	58.12	29.06	8.50	3.50	4.25	AI P P P P P P P  P  P P P P  P P P P P  A22 BI P P P P P P P  P  P P P P  P P P P P  B22	22	22
10035388-909 10035388-909LF	48.72	45.72	40.64	N/A	45.42	N/A	8.50	3.50	4.25	AI P  P  P P P P P  P P P P P P  A17 BI P  P  P P P P P  P P P P P P  B17	17	17
10035388-910 10035388-910LF	94.44	91.44	86.36	N/A	91.14	N/A	8.50	3.50	4.25	AI P  P  P P  P P  P  A35 BI P P  P  P  P P  P P P P P P P P P P P P P P P P P P P  B35	35	35
10035388-911 10035388-911LF	53.80	50.80	45.72	N/A	50.50	N/A	8.50	3.50	4.25	ALL LOADED	19	19
10035388-912 10035388-912LF	41.10	38.10	33.02	N/A	37.80	N/A	8.50	3.50	4.25	AI P P  P P  P P  P P  P P  A14 BI P P  P P  P P  P P  P P  B14	14	14


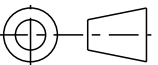
spec ref	*	dr	De-Ming Lu	2014/08/06	<h2 style="margin: 0;">Amphenol Power Solutions</h2>	MM	scale	size
tolerance std		eng	Ada Ye	2021/07/16			1:1	A4
ISO 406 ISO 1101	TOLERANCES UNLESS OTHERWISE SPECIFIED	r vwr	-	-		ec n no	ELX-DG-41134-1	
ISO 1302		appr	Zheng, Pei-Min	2021/07/16		A Division of Amphenol Corporation amphenol-icc.com		rel level <b>Released</b>
surface		linear	0.X	±0.5	title POWER EDGE CARD CONNECTOR WITHOUT SIGNAL ASSY			diag no 10035388 cat. no. -
	angular	0°	±2°	product family - Product - Customer Drw			sheet 5 of 7	

	PRAT NO.	DIM"A"	DIM"B"	DIM"C"	DIM"D"	DIM"E"	DIM"F"	H1	H2	H3	PIN CONFIGURATION	M	N
A	10035388-107 10035388-107LF	69.04	66.04	60.96	N/A	65.74	N/A	8.50	3.50	4.25	A1  A25 B1  B25	25	25
	10035388-913 10035388-913LF	25.86	22.86	17.78	N/A	22.56	N/A	8.50	3.50	4.25	ALL LOADED	8	8
	10035388-902 10035388-902LF	94.44	91.44	86.36	N/A	91.14	N/A	8.50	3.50	4.25	A1  A35 B1  B35	35	35
B	10035388-108 10035388-108LF	69.04	66.04	60.96	N/A	65.74	N/A	8.50	3.50	4.25	A1  A25 B1  B25	25	25
	10035388-206 10035388-206LF	84.28	81.28	76.20	N/A	80.98	N/A	8.50	3.50	4.25	A1  A31 B1  B31	31	31
	10035388-110 10035388-110LF	69.04	66.04	60.96	N/A	65.74	N/A	8.50	3.50	4.25	A1  A25 B1  B25	25	25
C	10035388-204 10035388-204LF	81.74	78.74	73.66	N/A	78.44	N/A	8.50	3.50	4.25	ALL LOADED	30	30
	10035388-114 10035388-114LF	41.10	38.10	33.02	N/A	37.80	N/A	8.50	3.50	4.25	ALL LOADED	14	14
	10035388-119 10035388-119LF	94.44	91.44	86.36	N/A	91.14	N/A	8.50	3.50	4.25	A1  A35 B1  B35	35	35
D	10035388-120 10035388-120LF	69.04	66.04	60.96	N/A	65.74	N/A	8.50	3.50	4.25	A1  A25 B1  B25	25	25
	10035388-121 10035388-121LF	48.72	45.72	40.64	N/A	45.42	N/A	8.50	3.50	4.25	A1  A17 B1  B17	17	17
	10035388-122 10035388-122LF	76.66	73.66	68.58	N/A	73.36	N/A	8.50	3.50	4.25	A1  A28 B1  B28	28	28
D	10035388-123 10035388-123LF	69.04	66.04	60.69	N/A	65.74	N/A	8.50	3.50	4.25	A1  A25 B1  B25	25	25
	10035388-125 10035388-125LF	41.10	38.10	33.02	N/A	37.80	N/A	8.50	3.50	4.25	A1  A14 B1  B14	14	14
	10035388-126 10035388-126LF	41.10	38.10	33.02	N/A	37.80	N/A	8.50	3.50	4.25	A1  A14 B1  B14	14	14
	10035388-207 10035388-207LF	81.74	78.74	73.66	N/A	78.44	N/A	8.50	3.50	4.25	A1  A30 B1  B30	30	30

spec ref	*	dr	De-Ming Lu	2014/08/06	<b>Amphenol Power Solutions</b>	MM	scale	size
tolerance std	TOLERANCES UNLESS OTHERWISE SPECIFIED	eng	Ada Ye	2021/07/16			1:1	A4
ISO 406		r vwr	-	-		ec n no	ELX-DG-41134-1	
ISO 1101		appr	Zheng, Pei-Min	2021/07/16		A Division of Amphenol Corporation	amphenol-icc.com	rel level
surface	linear	0.X	±0.5	projection	POWER EDGE CARD CONNECTOR	10035388	cat. no.	rev
	angular	0°	±2°					
ISO 1302					WITHOUT SIGNAL ASSY			AR
					product family	-	Product - Customer Drw	sheet 6 of 7

Creo File:APH-PWR-ACC;REV B;2021-09-07

PRAT NO.	DIM"A"	DIM"B"	DIM"C"	DIM"D"	DIM"E"	DIM"F"	H1	H2	H3	PIN CONFIGURATION	M	N												
10035388-126A 10035388-126ALF	41.10	38.10	33.02	N/A	37.80	N/A	8.50	5.00	4.25	A1 <table border="1"><tr><td>P</td><td>P</td><td>P</td><td>P</td><td>P</td><td>P</td></tr></table> A14 B1 <table border="1"><tr><td>P</td><td>P</td><td>P</td><td>P</td><td>P</td><td>P</td></tr></table> B14	P	P	P	P	P	P	P	P	P	P	P	P	14	14
P	P	P	P	P	P																			
P	P	P	P	P	P																			
10035388-400A 10035388-400ALF	61.42	58.42	53.34	29.21	58.12	29.06	8.50	5.00	4.25	ALL LOADED	22	22												

spec ref *		dr De-Ming Lu 2014/08/06				MM		scale 1:1		size A4			
tolerance std		eng Ada Ye 2021/07/16				ec n no ELX-DG-41134-1							
ISO 406 ISO 1101		r vwr -				A Division of Amphenol Corporation amphenol-icc.com		rel level Released					
surface -		linear		projection		title		diag no		rev			
ISO 1302		0.X ±0.5				POWER EDGE CARD CONNECTOR		10035388		AR			
		0.XX ±0.25											
		0.XXX ±0.10											
		angular 0° ±2°		product family		Product - Customer Drw		sheet 7 of 7					

Creo File:APH-PWR-ACC;REV B;2021-09-07