

4. "E" IDENTIFIES E-SEAL, LOCATED APPROX. AS SHOWN.

3. MATERIAL: HOUSING: PA66 GF15, SEE TABLE FOR COLOR SHORT, LONG CAP: PA66 GF15, BLACK GROMMET: E-SEAL VMO (BURNT RED) N-SEAL VMO (RED-ORANGE) BLOCKED VMO (RED-ORANGE)

2. THIS RECEPTACLE MATES WITH DT06-4S-XXXX PLUG (XXXX = ALL MODIFICATIONS)

1. SECONDARY WEDGE LOCK SOLD SEPARATELY: W4PX-XXXX. (X = A,B,C,D KEY, XXXX = ALL MODIFICATIONS)

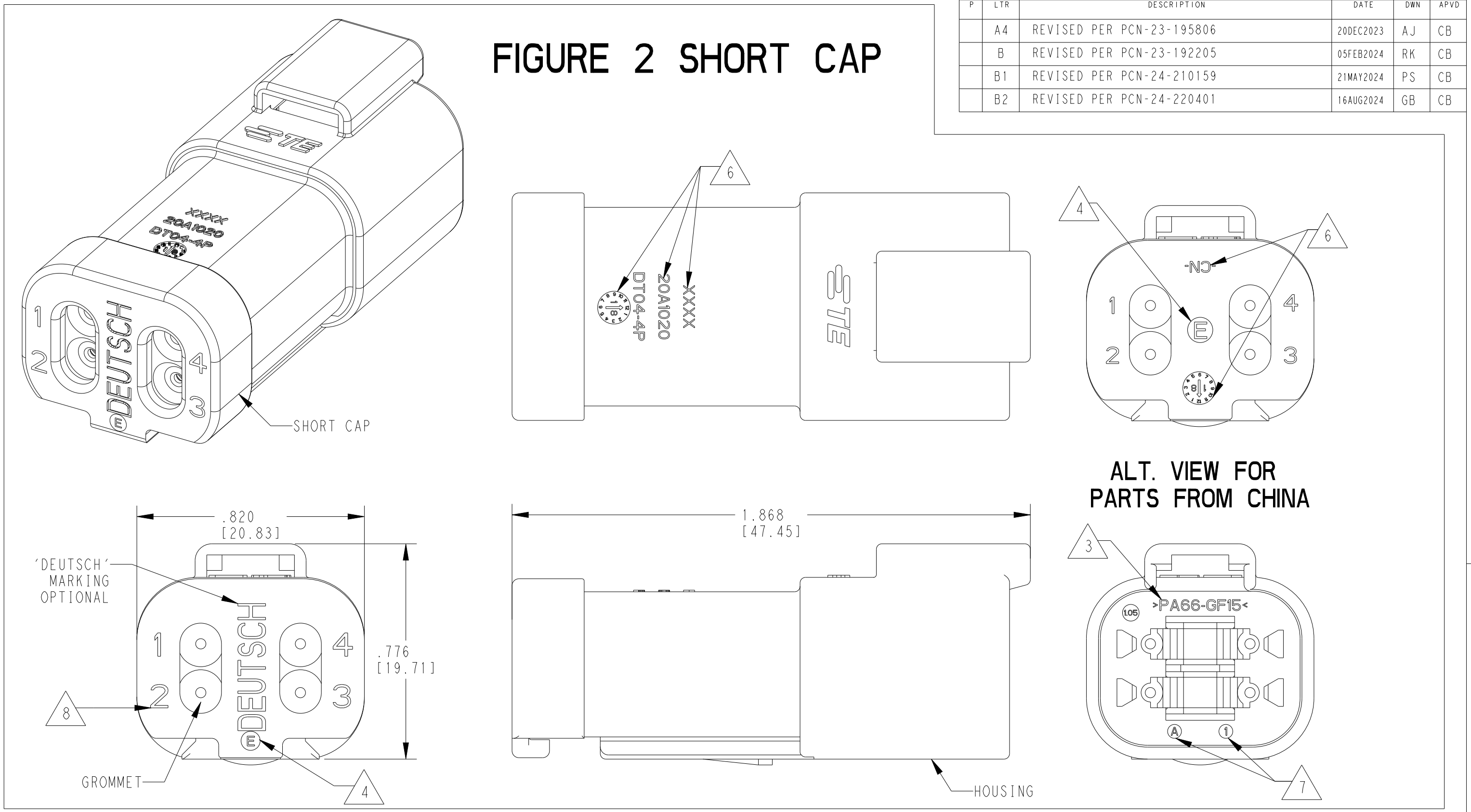
NOTES: UNLESS OTHERWISE SPECIFIED

6. MARKING FOR PARTS PRODUCED IN CHINA:
 -XXXX IDENTIFIES THE MODIFICATION NUMBER, IF APPLICABLE. EXAMPLE: "E003" FOR DT04-4P-E003, OR BLANK FOR DT04-4P
 -DATE CODE: IDENTIFIES THE YEAR, MONTH, DAY AND HOUR OF ASSEMBLY.
 YEAR: FIRST AND SECOND DIGIT. (17 = 2017)
 MONTH: THIRD DIGIT, EXCLUDING 1. A = JAN, B = FEB, C = MARCH ... (K = OCTOBER)
 DAY: FOURTH AND FIFTH DIGITS (14 = 14th DAY)
 HOUR: SIXTH AND SEVENTH DIGITS (11 = 11AM)
 -DIAL DATE CODE LOCATED ON HOUSING AND/OR CAP.
 -CN LOCATED ON HOUSING AND/OR CAP.

5. FOR CONTACT AND WIRE PERFORMANCE AND APPLICATION CHARACTERISTICS SEE CUSTOMER DRAWING 0425-015-0000.

8. BLOCKED SEAL CONNECTORS (EXAMPLE: C017) WILL NOT HAVE THE TERMINAL CAVITY IDENTIFICATION MARKINGS ON THEIR CAPS.

7. MARKING FOR PARTS PRODUCED IN US:
 -DATE CODE:
 YEAR TO BE LAST NUMERICAL DIGIT, EX: 1 = 2021
 MONTH USES SEQUENTIAL ALPHA CHARACTERS, EX: A = JANUARY
 -DEUTSCH



CONTACT SIZE	WIRE RANGE	INSULATION OD SEALING RANGE	SEAL IDENTIFICATION
16	14-20 AWG [2.5-0.5mm ²]	.088 - .145 [2.23-3.68] .053 - .120 [1.35-3.05]	STANDARD SEAL EXTRA THIN SEAL E-SEAL

TE INTERNAL PART NUMBER	DEUTSCH PART NUMBER	PN REV	HOUSING COLOR	STANDARD SEAL	EXTRA THIN SEAL E-SEAL	BLOCKED SEAL	SHORT CAP	LONG CAP	FIGURE
DT04-4P	DT04-4P	A	GRAY	X					1
DT04-4P-C015	DT04-C015	B	GRAY		X				1
DT04-4P-C017	DT04-4P-C017	C	GRAY			X	X		2
DT04-4P-CE01	DT04-4P-CE01	C	GRAY		X		X		2
DT04-4P-CE02	DT04-4P-CE02	B	BLACK		X				1
DT04-4P-CE03	DT04-4P-CE03	B	BLACK		X		X		2
DT04-4P-CE04	DT04-4P-CE04	C	GRAY		X			X	3
DT04-4P-CE09	DT04-4P-CE09	B	BLACK		X			X	3
DT04-4P-CE26	DT04-4P-CE26	A	BLACK			X	X		2
DT04-4P-E003	DT04-4P-E003	B	GRAY	X			X		2
DT04-4P-E004	DT04-4P-E004	A	BLACK	X					1
DT04-4P-E005	DT04-4P-E005	A	BLACK	X			X		2
DT04-4P-E008	DT04-4P-E008	C	GRAY	X				X	3
DT04-4P-EE01	DT04-4P-EE01	A	BLACK	X				X	3
DT04-4P-EP04	DT04-4P-EP04	C	GRAY	X			X		2
DT04-4P-P004	DT04-4P-P004	B	GRAY	X					1
1-2448112-1	DT04-4P-TE09	A	BROWN		X				1
1-2448112-2	DT04-4P-TE03	A	GREEN		X				1
1-2448112-3	DT04-4P-TE07	A	BLUE		X				1
2-2448112-1	DT04-4P-TN09	A	BROWN	X					1
2-2448112-2	DT04-4P-TN03	A	GREEN	X					1
2-2448112-3	DT04-4P-TN07	A	BLUE	X					1
3-2448112-1	DT04-4P-EE18	A	BROWN		X		X		2
3-2448112-2	DT04-4P-EE16	A	GREEN		X		X		2
3-2448112-3	DT04-4P-EE17	A	BLUE		X		X		2
4-2448112-1	DT04-4P-EE14	A	BROWN	X			X		2
4-2448112-2	DT04-4P-EE13	A	GREEN	X			X		2
4-2448112-3	DT04-4P-EE06	A	BLUE	X			X		2

THIS DRAWING IS A CONTROLLED DOCUMENT.

TE Connectivity

4 WAY RECEPTACLE, STANDARD SEAL EXTRA THIN SEAL, SHORT AND LONG CAP, DT SERIES

SIZE: 4F4U8 C=DT04-4P-XXXX

SCALE: 3:1 SHEET 1 OF 1 REV: B2