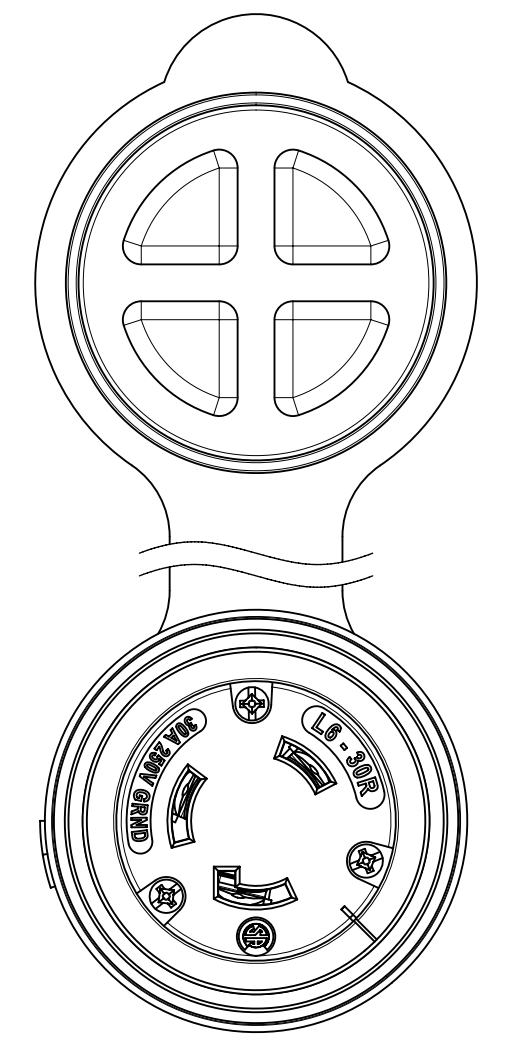
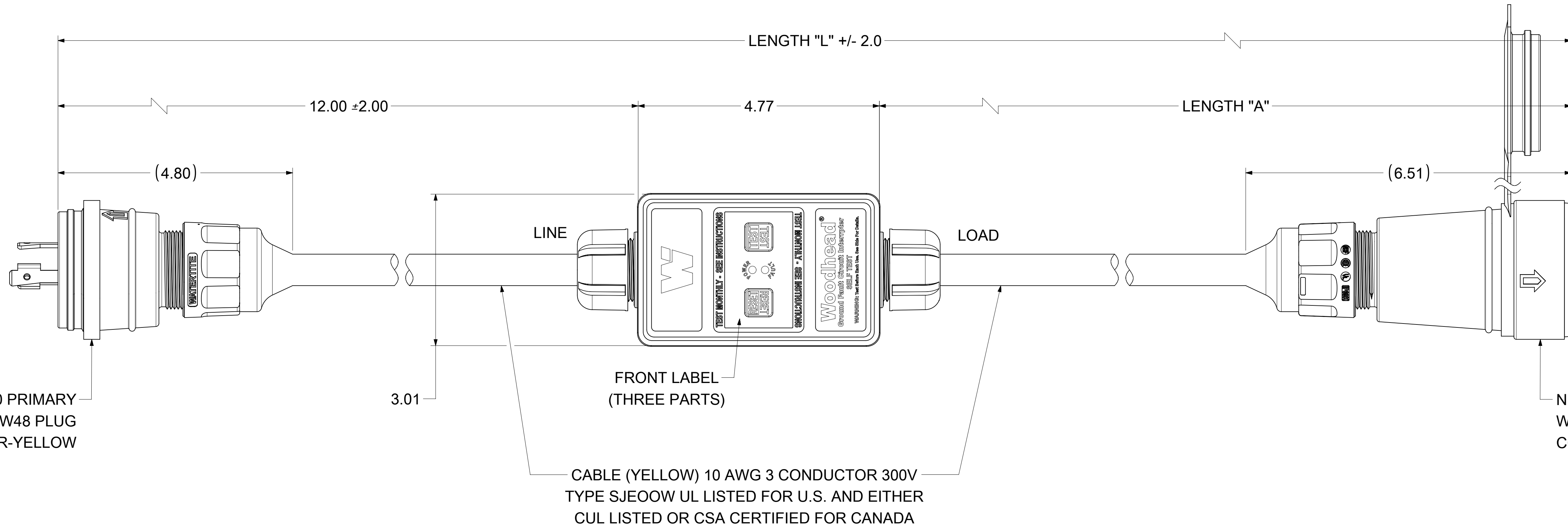
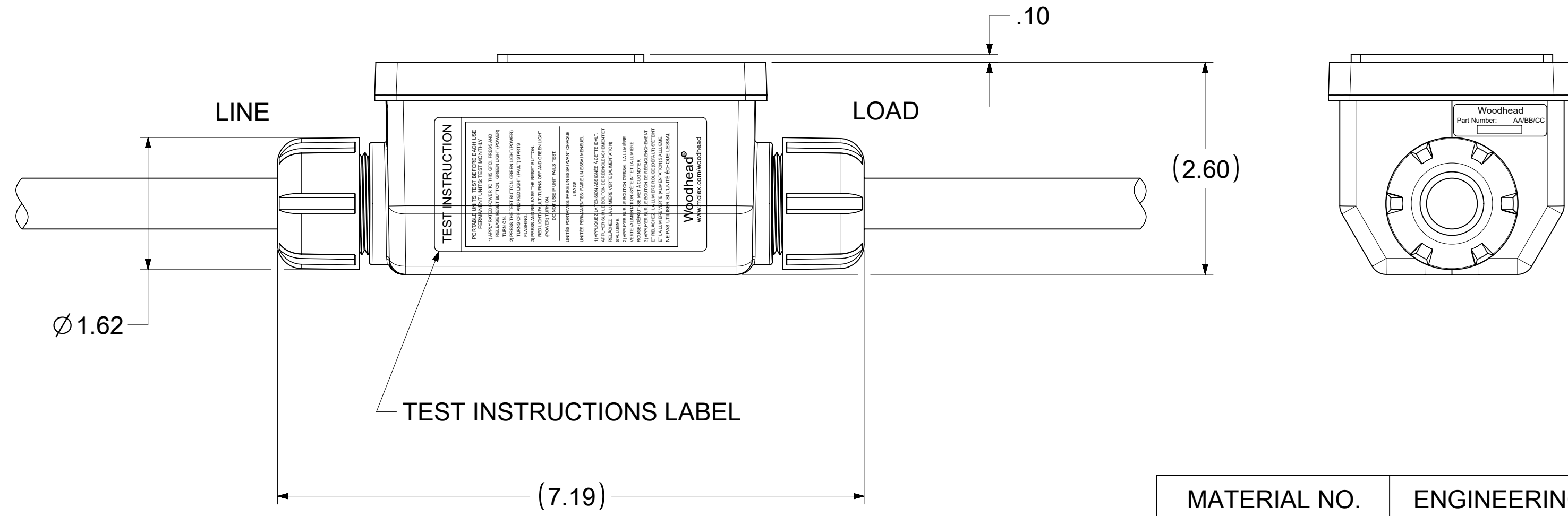
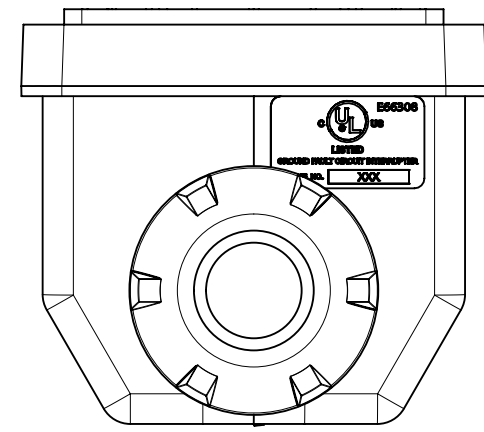


NEMA L6-30 PRIMARY
WOODHEAD #28W48 PLUG
COLOR-YELLOW



NEMA L6-30 SECONDARY
WOODHEAD #29W48 CONNECTOR
COLOR-YELLOW

CABLE (YELLOW) 10 AWG 3 CONDUCTOR 300V
TYPE SJE00W UL LISTED FOR U.S. AND EITHER
CUL LISTED OR CSA CERTIFIED FOR CANADA



TECHNICAL

LISTED: cULus
 RATED SUPPLY VOLTAGE: 240VAC
 RATED CURRENT: UP TO 30 AMPS
 RESET TYPE: AUTOMATIC OR MANUAL
 OPERATING FREQUENCY: 60 Hz
 TYPE: CLASS A
 GROUND TRIP CURRENT: 5mA +/- 1mA
 PHASE: SINGLE PHASE
 OVERLOAD CURRENT: 180 AMPS, 0.45PF
 INSULATION VOLTAGE: 1,500 VRMS - 1 MINUTE
 ENDURANCE OPERATIONS: 3000 OPERATIONS
 ENCLOSURE: TYPE 4X, IP69K (SINGLE PHASE)

MATERIAL NO.	ENGINEERING NO.	LENGTH "L"	LENGTH "A"	POWER-UP
1301530193	30054-1A	2 FT 9.4 IN.	1 FT	AUTO
1301530199	30054-6A	7 FT 9.4 IN.	6 FT	AUTO
1301530196	30054-25A	26 FT 9.4 IN.	25 FT	AUTO
1301530194	30054-1M	2 FT 9.4 IN.	1 FT	MANUAL
1301530200	30054-6M	7 FT 9.4 IN.	6 FT	MANUAL
1301530197	30054-25M	26 FT 9.4 IN.	25 FT	MANUAL

FUNCTIONAL SYMBOLS FA = 0 FC = 0 FD = 0	THIS DRAWING CONTAINS INFORMATION THAT IS PROPRIETARY TO MOLEX ELECTRONIC TECHNOLOGIES, LLC AND SHOULD NOT BE USED WITHOUT WRITTEN PERMISSION		CURRENT REV DESC: UPDATED GFCI BODY		
	DIMENSION UNITS INCH	SCALE NTS	 30A/240V INLINE GFCI AUTO 2FT WATERTITE NEMA		
GENERAL TOLERANCES (UNLESS SPECIFIED)		EC NO: 788654 DRWN: PPURSUTANDEL 2024/06/06 CHK'D: DNGUYEN62 2024/06/11 APPR: HKNEELAND 2024/06/13			
DIVISIONAL SYMBOLS	ANGULAR TOL ± °		INITIAL REVISION:		
	4 PLACES ±		DRWN: PPURSUTANDEL 2021/07/06		
3 PLACES ±		APPR: HKNEELAND 2021/08/17			
2 PLACES ±		MATERIAL NUMBER			
1 PLACE ±		1301530193			
0 PLACES ±		DOC TYPE DOC PART REVISION			
DRAFT WHERE APPLICABLE MUST REMAIN WITHIN DIMENSIONS		THIRD ANGLE PROJECTION		SHEET NUMBER	
D-DRAWING		SERIES		1 OF 1	
D-DRAWING		SERIES		1 OF 1	
D-DRAWING		SERIES		1 OF 1	
D-DRAWING		SERIES		1 OF 1	
D-DRAWING		SERIES		1 OF 1	