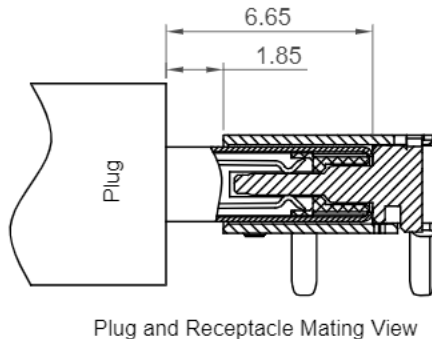
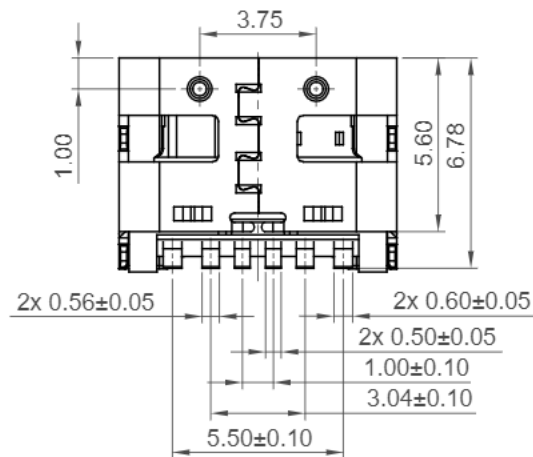
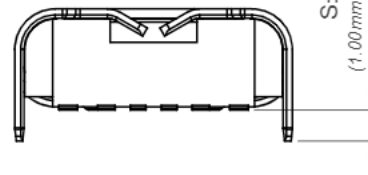
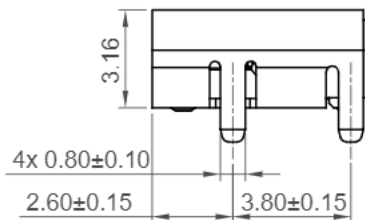
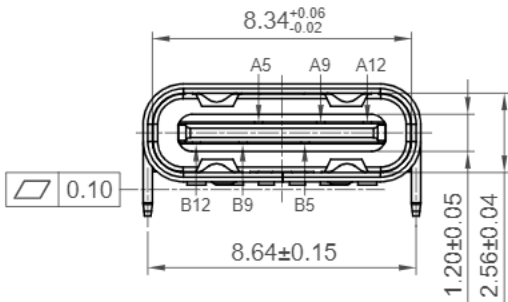
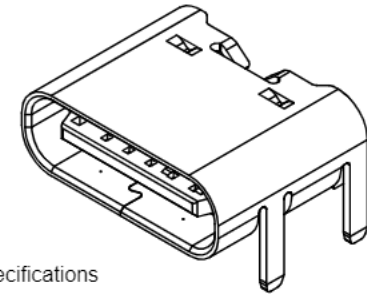


**Recommended PCB Layout**  
Thickness 1.00±0.10mm  
Tolerance: ±0.05mm

▨ Solder Area □ Component Outline



Pin	Signal	Mating Sequence
A5	CC1	Second
A9	V <sub>bus</sub>	First
A12	GND	First
B5	CC2	Second
B9	V <sub>bus</sub>	First
B12	GND	First
SHELL	GND	



**Specifications**

**Material**

Insulator: LCP, UL 94V-0, Black  
Contact: Copper Alloy  
Shell: Stainless Steel  
Middle plate: Stainless Steel

**Plating**

Contact: Gold Flash All Over  
Shell: 50µ" min. Nickel  
Middle plate: Clear

**Electrical**

Current Rating: 3.00A collectively for V<sub>bus</sub> pins  
4.25A collectively for GND pins  
1.25A for B5 pin  
0.25A for A5 pin

Voltage Rating: 20V DC

Contact Resistance: 40mΩ max initial.  
50mΩ max after test

Dielectric Withstanding Voltage: 100V AC  
Insulation Resistance 100MΩ min

**Mechanical & Environmental**

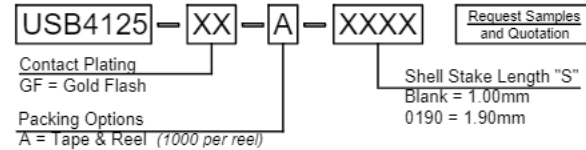
Operating Temperature: -30°C to +85°C

Mating Force: 5 to 20 N

Unmated Force: 6 to 20 N after test

Durability: 20,000 cycles

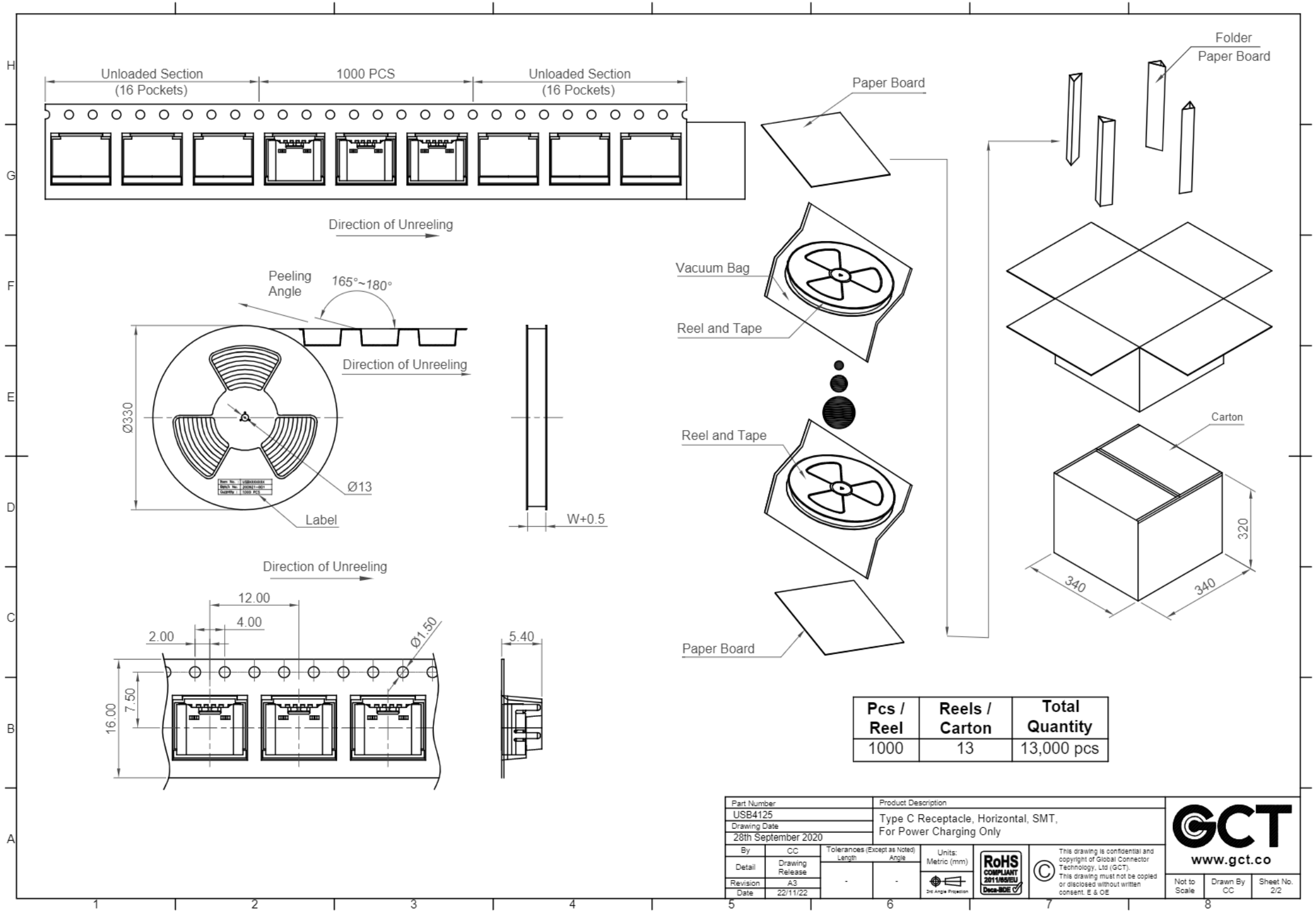
**Ordering Grid**



Part Number USB4125		Product Description Type C Receptacle, Horizontal, SMT, For Power Charging Only	
Drawing Date 28th September 2020			
By CC	Detail Drawing Release	Tolerances (Except as Noted) Length X.X ± 0.30 X.XX ± 0.25 X.XXX ± 0.10	Units: Metric (mm)
Revision A3	Date 22/11/22	2nd Angle Projection	
		<p>This drawing is confidential and copyright of Global Connector Technology, Ltd (GCT). This drawing must not be copied or disclosed without written consent. E &amp; OE</p>	



Not to Scale	Drawn By CC	Sheet No. 1/2
--------------	----------------	------------------



Pcs / Reel	Reels / Carton	Total Quantity
1000	13	13,000 pcs

Part Number USB4125		Product Description Type C Receptacle, Horizontal, SMT, For Power Charging Only	
Drawing Date 28th September 2020			
By CC	Detail Drawing Release	Tolerances (Except as Noted) Length	Units: Metric (mm)
Revision A3	Date 22/11/22		
		This drawing is confidential and copyright of Global Connector Technology, Ltd (GCT). This drawing must not be copied or disclosed without written consent. E & OE	



Not to Scale	Drawn By CC	Sheet No. 2/2
--------------	----------------	------------------