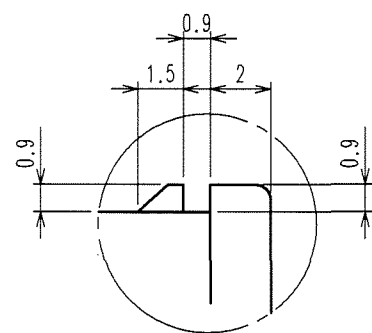
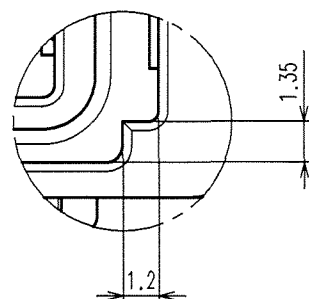


Jul.1.2024 Copyright 2024 HIROSE ELECTRIC CO., LTD. All Rights Reserved.
In case of consideration for using Automotive equipment / device which demand high reliability, kindly contact our sales window correspondents.

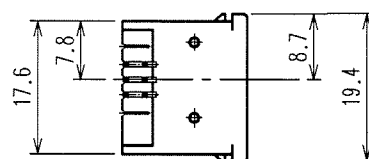
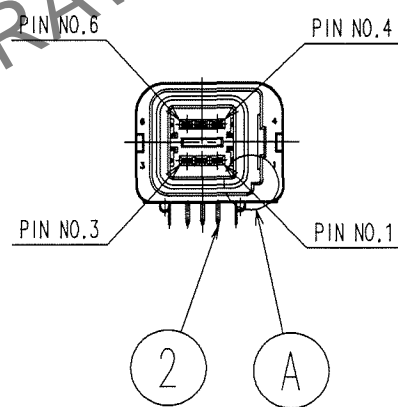
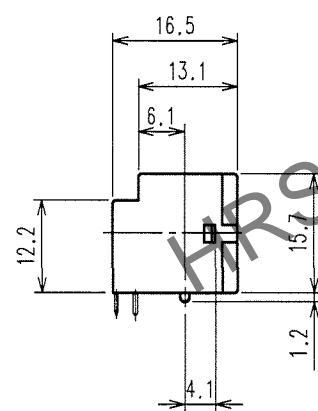
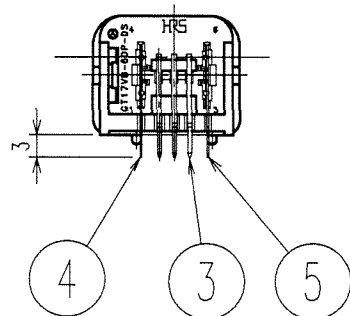
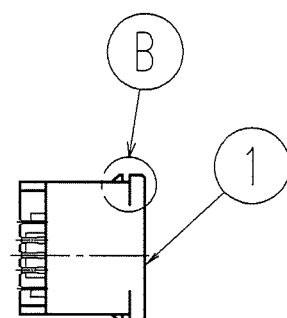
ELV. RoHS COMPLIANT



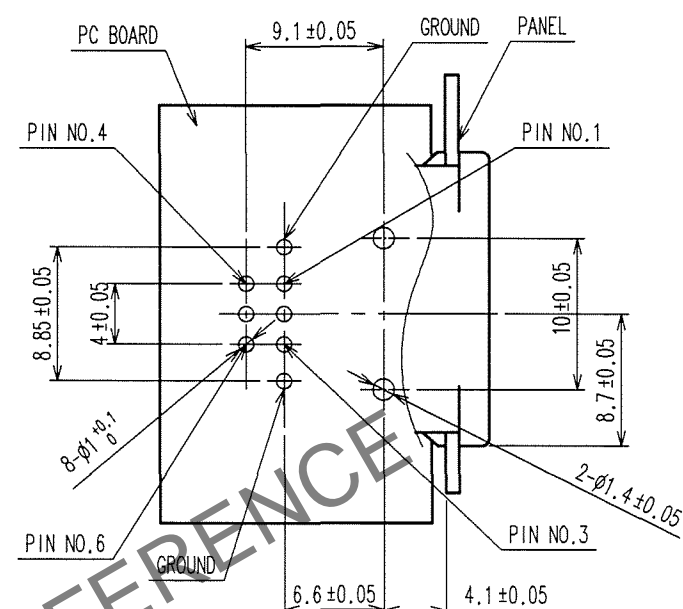
B (4:1)



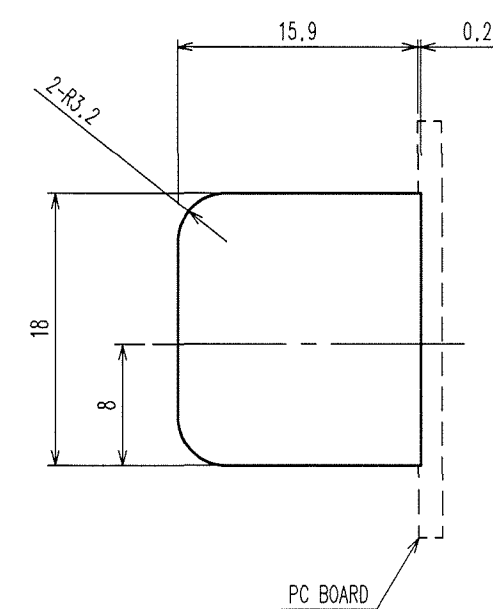
A (4:1)



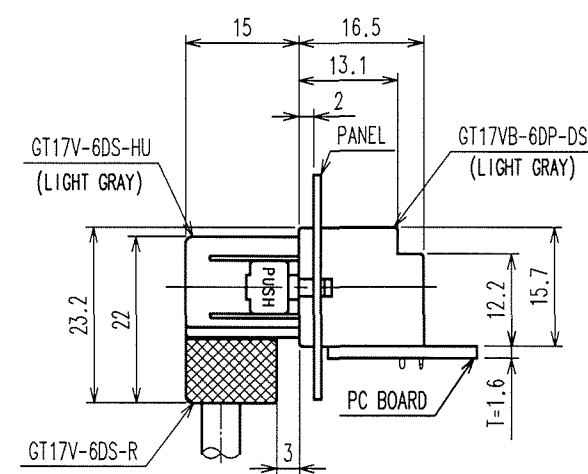
COUNT	DESCRIPTION OF REVISIONS	BY	CHKD	DATE	COUNT	DESCRIPTION OF REVISIONS	BY	CHKD	DATE
△				..	△				..
△				..	△				..
△				..	△				..



RECOMMENDED PC BOARD HOLE PATTERN(2:1)



RECOMMENDED PANEL CUTOUT(2:1)



MATED CONNECTORS

2	BRASS	TIN PLATED T=0.64	5	COPPER ALLOY	TIN PLATED T=0.25
1	PBT	LIGHT GRAY	4	COPPER ALLOY	TIN PLATED T=0.25
			3	BRASS	TIN PLATED T=0.64
NO.	MATERIAL	FINISH, REMARKS	NO.	MATERIAL	FINISH, REMARKS

CODE NO. (OLD) CL?	DRAWN	DESIGNED	CHECKED	APPROVED	RELEASED
	S.KURIYA	T.SHISHIKURA	K. Sato	K. Sato	..
	06.4.14	99.6.22	06.4.18	06.4.18	..

SCALE 1 : 1	DRAWING NO. EDC3-165530-01	PART NO. GT17VB-6DP-DS(70)
UNITS mm	HRS HIROSE ELECTRIC CO., LTD	CODE NO. CL767-0032-2-70

TO