



DELTA line SCHUKO socket outlet 250 V AC, 16A With screwless Connection terminals with increased touch protection Solid plate 80 mm x 80 mm titanium white

Model	
product brand name	DELTA
product designation	SCHUKO socket outlet
cover version	solid plate
design of the special power supply unit	without special current supply
design of the socket according to VDE 0620 for severe conditions	No
design of the phase tap	No
General technical data	
marking of socket outlet	without imprint
mounting type	fixing with claw and screw
surface processing	others
material	thermoplastic
Supply voltage	
operating voltage rated value	250 V
supply voltage frequency rated value	50 Hz
Protection class	
protection class IP	IP20
Main circuit	
operational current rated value	16 A
Appearance	
color	titanium white
Product details	
product component	
<ul style="list-style-type: none"> <li>• ejection equipment</li> <li>• labeling field</li> <li>• increased touch protection</li> <li>• residual current device</li> <li>• miniature fuse</li> <li>• integrated functional lighting</li> <li>• integrated light source</li> <li>• integrated orientation lighting</li> <li>• hinged lid</li> </ul>	<ul style="list-style-type: none"> <li>No</li> <li>No</li> <li>Yes</li> <li>No</li> <li>No</li> <li>No</li> <li>No</li> <li>No</li> <li>No</li> </ul>
<b>product feature</b> <ul style="list-style-type: none"> <li>• lockable</li> <li>• halogen-free</li> <li>• transparent</li> </ul>	<ul style="list-style-type: none"> <li>No</li> <li>Yes</li> <li>No</li> </ul>
Product function	
product function	
<ul style="list-style-type: none"> <li>• socket selectable</li> </ul>	No

• overvoltage protection	No
<b>Number</b>	
number of units	1
number of sockets switchable	0
<b>Connections</b>	
arrangement of contacts diagonal	No
type of electrical connection	plug terminal
<b>Mechanical Design</b>	
height	70 mm
width	70 mm
depth	45 mm
fastening method	flush mounting
material of the enclosure	plastic
<b>Environmental footprint</b>	
Environmental Product Declaration (EPD)	Yes
Global Warming Potential [CO2 eq] total	4.77 kg
Global Warming Potential [CO2 eq] during manufacturing	0.284 kg
Global Warming Potential [CO2 eq] during operation	4.48 kg
Global Warming Potential [CO2 eq] after end of life	7.42E-5 kg
<b>Approvals Certificates</b>	
<b>General Product Approval</b>	<b>other</b>



[Confirmation](#)

[Miscellaneous](#)

## Environment



[Environmental Confirmations](#)

## Further information

### Information on the packaging

<https://support.industry.siemens.com/cs/ww/en/view/109813875>

### Information- and Downloadcenter (Catalogs, Brochures,...)

<http://www.siemens.com/lowvoltage/catalogs>

### Industry Mall (Online ordering system)

<https://mall.industry.siemens.com/mall/en/en/Catalog/product?mlfb=5UB1582>

### Service&Support (Manuals, Certificates, Characteristics, FAQs,...)

<https://support.industry.siemens.com/cs/ww/en/ps/5UB1582>

### Image database (product images, 2D dimension drawings, 3D models, device circuit diagrams, ...)

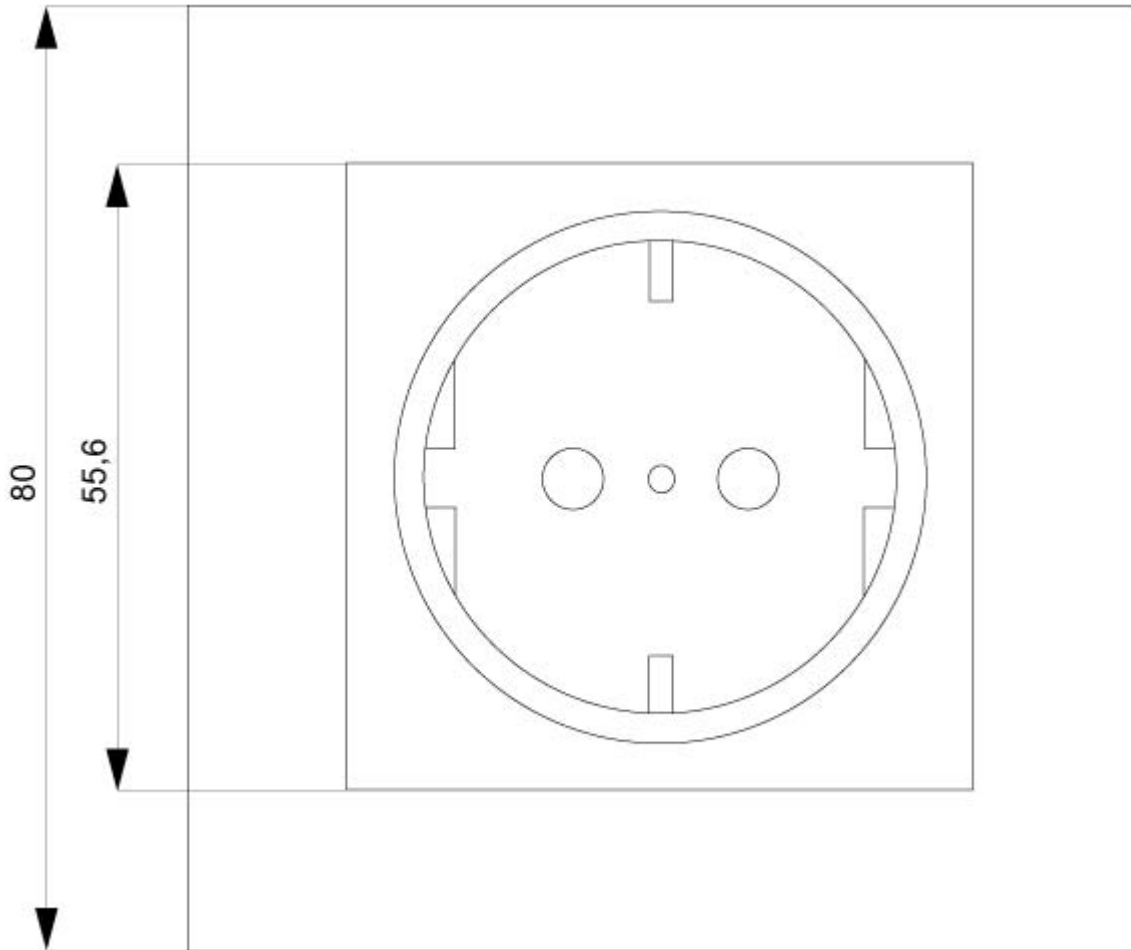
[http://www.automation.siemens.com/bilddb/cax\\_en.aspx?mlfb=5UB1582](http://www.automation.siemens.com/bilddb/cax_en.aspx?mlfb=5UB1582)

### CAX-Online-Generator

<http://www.siemens.com/cax>

### Tender specifications

<http://www.siemens.com/specifications>



last modified:

7/7/2024 