



# **ECP5 and ECP5-5G Family**

## **Data Sheet**

FPGA-DS-02012-3.3

January 2024

## Disclaimers

Lattice makes no warranty, representation, or guarantee regarding the accuracy of information contained in this document or the suitability of its products for any particular purpose. All information herein is provided AS IS, with all faults, and all associated risk is the responsibility entirely of the Buyer. The information provided herein is for informational purposes only and may contain technical inaccuracies or omissions, and may be otherwise rendered inaccurate for many reasons, and Lattice assumes no obligation to update or otherwise correct or revise this information. Products sold by Lattice have been subject to limited testing and it is the Buyer's responsibility to independently determine the suitability of any products and to test and verify the same. LATTICE PRODUCTS AND SERVICES ARE NOT DESIGNED, MANUFACTURED, OR TESTED FOR USE IN LIFE OR SAFETY CRITICAL SYSTEMS, HAZARDOUS ENVIRONMENTS, OR ANY OTHER ENVIRONMENTS REQUIRING FAIL-SAFE PERFORMANCE, INCLUDING ANY APPLICATION IN WHICH THE FAILURE OF THE PRODUCT OR SERVICE COULD LEAD TO DEATH, PERSONAL INJURY, SEVERE PROPERTY DAMAGE OR ENVIRONMENTAL HARM (COLLECTIVELY, "HIGH-RISK USES"). FURTHER, BUYER MUST TAKE PRUDENT STEPS TO PROTECT AGAINST PRODUCT AND SERVICE FAILURES, INCLUDING PROVIDING APPROPRIATE REDUNDANCIES, FAIL-SAFE FEATURES, AND/OR SHUT-DOWN MECHANISMS. LATTICE EXPRESSLY DISCLAIMS ANY EXPRESS OR IMPLIED WARRANTY OF FITNESS OF THE PRODUCTS OR SERVICES FOR HIGH-RISK USES. The information provided in this document is proprietary to Lattice Semiconductor, and Lattice reserves the right to make any changes to the information in this document or to any products at any time without notice.

# Contents

Contents .....	2
Acronyms in This Document .....	9
1. General Description .....	11
1.1. Features .....	11
2. Architecture .....	14
2.1. Overview .....	14
2.2. PFU Blocks .....	15
2.2.1. Slice .....	16
2.2.2. Modes of Operation .....	19
2.3. Routing .....	20
2.4. Clocking Structure .....	20
2.4.1. sysCLOCK PLL .....	20
2.5. Clock Distribution Network .....	22
2.5.1. Primary Clocks .....	22
2.5.2. Edge Clock .....	23
2.6. Clock Dividers .....	24
2.7. DDRDLL .....	25
2.8. sysMEM Memory .....	26
2.8.1. sysMEM Memory Block .....	26
2.8.2. Bus Size Matching .....	27
2.8.3. RAM Initialization and ROM Operation .....	27
2.8.4. Memory Cascading .....	27
2.8.5. Single, Dual and Pseudo-Dual Port Modes .....	27
2.8.6. Memory Core Reset .....	28
2.9. sysDSP™ Slice .....	28
2.9.1. sysDSP Slice Approach Compared to General DSP .....	28
2.9.2. sysDSP Slice Architecture Features .....	29
2.10. Programmable I/O Cells .....	33
2.11. PIO .....	35
2.11.1. Input Register Block .....	35
2.11.2. Output Register Block .....	36
2.12. Tri-state Register Block .....	37
2.13. DDR Memory Support .....	38
2.13.1. DQS Grouping for DDR Memory .....	38
2.13.2. DLL Calibrated DQS Delay and Control Block (DQSBUF) .....	39
2.14. sysI/O Buffer .....	41
2.14.1. sysI/O Buffer Banks .....	41
2.14.2. Typical sysI/O I/O Behavior during Power-up .....	43
2.14.3. Supported sysI/O Standards .....	43
2.14.4. On-Chip Programmable Termination .....	44
2.14.5. Hot Socketing .....	45
2.15. SerDes and Physical Coding Sublayer .....	45
2.15.1. SerDes Block .....	47
2.15.2. PCS .....	47
2.15.3. SerDes Client Interface Bus .....	48
2.16. Flexible Dual SerDes Architecture .....	48
2.17. IEEE 1149.1-Compliant Boundary Scan Testability .....	48
2.18. Device Configuration .....	49
2.18.1. Enhanced Configuration Options .....	49
2.18.2. Single Event Upset (SEU) Support .....	49
2.18.3. On-Chip Oscillator .....	50
2.19. Density Shifting .....	50

2.20.	Digital Temperature Readout.....	50
3.	DC and Switching Characteristics.....	51
3.1.	Absolute Maximum Ratings .....	51
3.2.	Recommended Operating Conditions .....	51
3.3.	Power Supply Ramp Rates.....	52
3.4.	Power-On-Reset Voltage Levels .....	52
3.5.	Power up Sequence.....	52
3.6.	Hot Socketing Specifications .....	52
3.7.	Hot Socketing Requirements.....	53
3.8.	ESD Performance.....	53
3.9.	DC Electrical Characteristics .....	53
3.10.	Supply Current (Static) .....	54
3.11.	SerDes Power Supply Requirements <sup>1, 2, 3</sup> .....	55
3.12.	sysI/O Recommended Operating Conditions .....	56
3.13.	sysI/O Single-Ended DC Electrical Characteristics <sup>4</sup> .....	57
3.14.	sysI/O Differential Electrical Characteristics .....	58
3.14.1.	LVDS .....	58
3.14.2.	SSTLD.....	58
3.14.3.	LVC MOS33D .....	58
3.14.4.	LVDS25E .....	59
3.14.5.	BLVDS25 .....	60
3.14.6.	LVPECL33.....	61
3.14.7.	MLVDS25.....	62
3.14.8.	SLVS.....	63
3.15.	Typical Building Block Function Performance .....	64
3.16.	Derating Timing Tables.....	65
3.17.	Maximum I/O Buffer Speed .....	65
3.18.	External Switching Characteristics .....	66
3.19.	sysCLOCK PLL Timing.....	72
3.20.	SerDes High-Speed Data Transmitter .....	73
3.21.	SerDes/PCS Block Latency .....	75
3.22.	SerDes High-Speed Data Receiver.....	76
3.23.	Input Data Jitter Tolerance.....	76
3.24.	SerDes External Reference Clock.....	77
3.25.	PCI Express Electrical and Timing Characteristics.....	78
3.25.1.	PCIe (2.5 Gb/s) AC and DC Characteristics .....	78
3.25.2.	PCIe (5 Gb/s) AC and DC Characteristics .....	79
3.26.	CPRI LV2 E.48 Electrical and Timing Characteristics .....	81
3.27.	XAU/CPRI LV E.30 Electrical and Timing Characteristics .....	82
3.27.1.	AC and DC Characteristics .....	82
3.28.	CPRI LV E.24/SGMII (2.5 Gbps) Electrical and Timing Characteristics .....	82
3.28.1.	AC and DC Characteristics .....	82
3.29.	Gigabit Ethernet/SGMII (1.25 Gbps)/CPRI LV E.12 Electrical and Timing Characteristics .....	83
3.29.1.	AC and DC Characteristics.....	83
3.30.	SMPTE SD/HD-SDI/3G-SDI (Serial Digital Interface) Electrical and Timing Characteristics .....	84
3.30.1.	AC and DC Characteristics .....	84
3.31.	sysCONFIG Port Timing Specifications .....	85
3.32.	JTAG Port Timing Specifications .....	90
3.33.	Switching Test Conditions .....	91
4.	Pinout Information .....	93
4.1.	Signal Descriptions .....	93
4.2.	PICs and DDR Data (DQ) Pins Associated with the DDR Strobe (DQS) Pin .....	96
4.3.	Pin Information Summary .....	96
4.3.1.	LF5UM/LF5UM5G .....	96

---

4.3.2. LFE5U .....	98
5. Ordering Information .....	99
5.1. ECP5/ECP5-5G Part Number Description .....	99
5.2. Ordering Part Numbers .....	100
5.2.1. Commercial .....	100
5.2.2. Industrial .....	102
Supplemental Information .....	104
For Further Information .....	104
Technical Support Assistance .....	105
Revision History .....	106

## Figures

Figure 2.1. Simplified Block Diagram, LFE5UM/LFE5UM5G-85 Device (Top Level) .....	15
Figure 2.2. PFU Diagram .....	16
Figure 2.3. Slice Diagram .....	17
Figure 2.4. Connectivity Supporting LUT5, LUT6, LUT7, and LUT8 .....	18
Figure 2.5. General Purpose PLL Diagram.....	20
Figure 2.6. LFE5UM/LFE5UM5G-85 Clocking.....	22
Figure 2.7. DCS Waveforms .....	23
Figure 2.8. Edge Clock Sources per Bank .....	24
Figure 2.9. ECP5/ECP5-5G Clock Divider Sources .....	24
Figure 2.10. DDRDLL Functional Diagram .....	25
Figure 2.11. ECP5/ECP5-5G DLL Top Level View (For LFE-45 and LFE-85) .....	26
Figure 2.12. Memory Core Reset .....	28
Figure 2.13. Comparison of General DSP and ECP5/ECP5-5G Approaches .....	29
Figure 2.14. Simplified sysDSP Slice Block Diagram .....	31
Figure 2.15. Detailed sysDSP Slice Diagram .....	32
Figure 2.16. Group of Four Programmable I/O Cells on Left/Right Sides .....	34
Figure 2.17. Input Register Block for PIO on Top Side of the Device .....	35
Figure 2.18. Input Register Block for PIO on Left and Right Side of the Device.....	35
Figure 2.19. Output Register Block on Top Side .....	36
Figure 2.20. Output Register Block on Left and Right Sides .....	37
Figure 2.21. Tri-state Register Block on Top Side .....	37
Figure 2.22. Tri-state Register Block on Left and Right Sides.....	38
Figure 2.23. DQS Grouping on the Left and Right Edges .....	39
Figure 2.24. DQS Control and Delay Block (DQSBUF) .....	40
Figure 2.25. ECP5/ECP5-5G Device Family Banks .....	42
Figure 2.26. On-Chip Termination .....	44
Figure 2.27. SerDes/PCS Duals (LFE5UM/LFE5UM5G-85) .....	46
Figure 2.28. Simplified Channel Block Diagram for SerDes/PCS Block .....	47
Figure 3.1. LVDS25E Output Termination Example .....	59
Figure 3.2. BLVDS25 Multi-point Output Example.....	60
Figure 3.3. Differential LVPECL33 .....	61
Figure 3.4. MLVDS25 (Multipoint Low Voltage Differential Signaling) .....	62
Figure 3.5. SLVS Interface .....	63
Figure 3.6. Receiver RX.CLK.Centered Waveforms .....	70
Figure 3.7. Receiver RX.CLK.Aligned and DDR Memory Input Waveforms.....	70
Figure 3.8. Transmit TX.CLK.Centered and DDR Memory Output Waveforms.....	70
Figure 3.9. Transmit TX.CLK.Aligned Waveforms.....	71
Figure 3.10. DDRX71 Video Timing Waveforms.....	71
Figure 3.11. Receiver DDRX71_RX Waveforms.....	72
Figure 3.12. Transmitter DDRX71_TX Waveforms.....	72
Figure 3.13. Transmitter and Receiver Latency Block Diagram .....	75
Figure 3.14. SerDes External Reference Clock Waveforms.....	77
Figure 3.15. sysCONFIG Parallel Port Read Cycle.....	86
Figure 3.16. sysCONFIG Parallel Port Write Cycle.....	87
Figure 3.17. sysCONFIG Slave Serial Port Timing .....	87
Figure 3.18. Power-On-Reset (POR) Timing .....	88
Figure 3.19. sysCONFIG Port Timing .....	88
Figure 3.20. Configuration from PROGRAMN Timing .....	89
Figure 3.21. Wake-Up Timing .....	89
Figure 3.22. Master SPI Configuration Waveforms .....	90
Figure 3.23. JTAG Port Timing Waveforms .....	91
Figure 3.24. Output Test Load, LVTTTL and LVCMOS Standards .....	91

## Tables

Table 1.1. ECP5 and ECP5-5G Family Selection Guide .....	12
Table 2.1. Resources and Modes Available per Slice .....	16
Table 2.2. Slice Signal Descriptions .....	18
Table 2.3. Number of Slices Required to Implement Distributed RAM .....	19
Table 2.4. PLL Blocks Signal Descriptions .....	21
Table 2.5. DDRDLL Ports List .....	25
Table 2.6. sysMEM Block Configurations .....	27
Table 2.7. Maximum Number of Elements in a Slice .....	33
Table 2.8. Input Block Port Description .....	36
Table 2.9. Output Block Port Description .....	37
Table 2.10. Tri-state Block Port Description .....	38
Table 2.11. DQSBUF Port List Description .....	40
Table 2.12. On-Chip Termination Options for Input Modes .....	44
Table 2.13. LFE5UM/LFE5UM5G SerDes Standard Support .....	46
Table 2.14. Available SerDes Duals per LFE5UM/LFE5UM5G Devices .....	47
Table 2.15. LFE5UM/LFE5UM5G Mixed Protocol Support .....	48
Table 2.16. Selectable Master Clock (MCLK) Frequencies during Configuration (Nominal) .....	50
Table 3.1. Absolute Maximum Ratings .....	51
Table 3.2. Recommended Operating Conditions .....	51
Table 3.3. Power Supply Ramp Rates <sup>1</sup> .....	52
Table 3.4. Power-On-Reset Voltage Levels .....	52
Table 3.5. Hot Socketing Specifications .....	53
Table 3.6. Hot Socketing Requirements .....	53
Table 3.7. DC Electrical Characteristics .....	53
Table 3.8. ECP5/ECP5-5G Supply Current (Static) .....	54
Table 3.9. ECP5UM .....	55
Table 3.10. ECP5-5G .....	56
Table 3.11. sysI/O Recommended Operating Conditions .....	56
Table 3.12. Single-Ended DC Characteristics .....	57
Table 3.13. LVDS .....	58
Table 3.14. LVDS25E DC Conditions .....	59
Table 3.15. BLVDS25 DC Conditions .....	60
Table 3.16. LVPECL33 DC Conditions .....	61
Table 3.17. MLVDS25 DC Conditions .....	62
Table 3.18. Input to SLVS .....	63
Table 3.19. Pin-to-Pin Performance .....	64
Table 3.20. Register-to-Register Performance .....	64
Table 3.21. ECP5/ECP5-5G Maximum I/O Buffer Speed .....	65
Table 3.22. ECP5/ECP5-5G External Switching Characteristics .....	66
Table 3.23. sysCLOCK PLL Timing .....	72
Table 3.24. Serial Output Timing and Levels .....	73
Table 3.25. Channel Output Jitter .....	74
Table 3.26. SerDes/PCS Latency Breakdown .....	75
Table 3.27. Serial Input Data Specifications .....	76
Table 3.28. Receiver Total Jitter Tolerance Specification .....	76
Table 3.29. External Reference Clock Specification (refclkp/refclkn) .....	77
Table 3.30. PCIe (2.5 Gb/s) .....	78
Table 3.31. PCIe (5 Gb/s) .....	79
Table 3.32. CPRI LV2 E.48 Electrical and Timing Characteristics .....	81
Table 3.33. Transmit .....	82
Table 3.34. Receive and Jitter Tolerance .....	82
Table 3.35. Transmit .....	82

---

Table 3.36. Receive and Jitter Tolerance .....	83
Table 3.37. Transmit .....	83
Table 3.38. Receive and Jitter Tolerance .....	83
Table 3.39. Transmit .....	84
Table 3.40. Receive .....	84
Table 3.41. Reference Clock .....	84
Table 3.42. ECP5/ECP5-5G sysCONFIG Port Timing Specifications .....	85
Table 3.43. JTAG Port Timing Specifications .....	90
Table 3.44. Test Fixture Required Components, Non-Terminated Interfaces .....	92



## Acronyms in This Document

A list of acronyms used in this document.

Acronym	Definition
ALU	Arithmetic Logic Unit
BGA	Ball Grid Array
CDR	Clock and Data Recovery
CPRI	Common Public Radio Interface
CRC	Cycle Redundancy Code
DCC	Dynamic Clock Control
DCS	Dynamic Clock Select
DCU	Dual Channel Unit
DDR	Double Data Rate
DLL	Delay-Locked Loops
DSP	Digital Signal Processing
EBR	Embedded Block RAM
ECLK	Edge Clock
FFT	Fast Fourier Transforms
FIFO	First In First Out
FIR	Finite Impulse Response
HSUL	High Speed Unterminated Logic
IP	Intellectual Property
LVC MOS	Low-Voltage Complementary Metal Oxide Semiconductor
LVDS	Low-Voltage Differential Signaling
LVPECL	Low Voltage Positive Emitter Coupled Logic
LVTTL	Low Voltage Transistor-Transistor Logic
LUT	Look Up Table
MIPI	Mobile Industry Processor Interface
MLVDS	Multipoint Low-Voltage Differential Signaling
PCI	Peripheral Component Interconnect
PCS	Physical Coding Sublayer
PCLK	Primary Clock
PDPR	Pseudo Dual Port RAM
PFU	Programmable Functional Unit
PIC	Programmable I/O Cells
PLL	Phase-Locked Loops
POR	Power On Reset
RAM	Random-Access Memory
ROM	Read-Only Memory
SCI	SerDes Client Interface
SDR	Single Data Rate
SED	Soft Error Detection
SEC	Soft Error Correction
SEI	Soft Error Injection
SerDes	Serializer/Deserializer
SEU	Single Event Upset
SLVS	Scalable Low-Voltage Signaling
SPI	Serial Peripheral Interface
SPR	Single Port RAM

---

Acronym	Definition
SRAM	Static Random-Access Memory
TAP	Test Access Port
TDM	Time Division Multiplexing

# 1. General Description

The ECP5™/ECP5-5G™ family of FPGA devices is optimized to deliver high performance features such as an enhanced Digital Signal Processing ( DSP) architecture, high speed SerDes (Serializer/Deserializer), and high speed source synchronous interfaces, in an economical FPGA fabric. This combination is achieved through advances in device architecture and the use of 40 nm technology making the devices suitable for high-volume, high-speed, and low-cost applications.

The ECP5/ECP5-5G device family covers look-up-table (LUT) capacity to 84k logic elements and supports up to 365 user I/O. The ECP5/ECP5-5G device family also offers up to 156 18 × 18 multipliers and a wide range of parallel I/O standards.

The ECP5/ECP5-5G FPGA fabric has optimized high performance with low power and low cost in mind. The ECP5/ ECP5-5G devices utilize reconfigurable SRAM logic technology and provide popular building blocks such as LUT-based logic, distributed and embedded memory, Phase-Locked Loops (PLLs), Delay-Locked Loops (DLLs), pre-engineered source synchronous I/O support, enhanced sysDSP slices and advanced configuration support, including encryption and dual-boot capabilities.

The pre-engineered source synchronous logic implemented in the ECP5/ECP5-5G device family supports a broad range of interface standards including DDR2/3, LPDDR2/3, XGMII, and 7:1 LVDS.

The ECP5/ECP5-5G device family also features high speed SerDes with dedicated Physical Coding Sublayer (PCS) functions. High jitter tolerance and low transmit jitter allow the SerDes plus PCS blocks to be configured to support an array of popular data protocols including PCI Express®, Ethernet (XAUI, GbE, and SGMII), and CPRI. Transmit De-emphasis with pre- and post-cursors, and Receive Equalization settings make the SerDes suitable for transmission and reception over various forms of media.

The ECP5/ECP5-5G devices also provide flexible, reliable and secure configuration options, such as dual-boot capability, bit-stream encryption, and TransFR field upgrade features.

ECP5-5G family devices have made some enhancement in the SerDes compared to ECP5UM devices. These enhancements increase the performance of the SerDes to up to 5 Gb/s data rate.

The ECP5-5G family devices are pin-to-pin compatible with the ECP5UM devices. These allows a migration

path for you to port designs from ECP5UM to ECP5-5G devices to get higher performance.

The Lattice Diamond™ design software allows large complex designs to be efficiently implemented using the ECP5/ECP5-5G FPGA family. Synthesis library support for ECP5/ECP5-5G devices is available for popular logic synthesis tools. The Diamond tools use the synthesis tool output along with the constraints from its floor planning tools to place and route the design in the ECP5/ECP5-5G device. The tools extract the timing from the routing and back-annotate it into the design for timing verification.

Lattice provides many pre-engineered IP (Intellectual Property) modules for the ECP5/ECP5-5G family. By using these configurable soft core IPs as standardized blocks, designers are free to concentrate on the unique aspects of their design, increasing their productivity.

## 1.1. Features

- Higher Logic Density for Increased System Integration
  - 12k to 84k LUTs
  - 197 to 365 user programmable I/O
- Embedded SerDes
  - 270 Mb/s, up to 3.2 Gb/s, SerDes interface (ECP5)
  - 270 Mb/s, up to 5.0 Gb/s, SerDes interface (ECP5-5G)
  - Supports eDP in RDR (1.62 Gb/s) and HDR (2.7 Gb/s)
  - Up to four channels per device: PCI Express, Ethernet (1GbE, SGMII, XAUI), and CPRI
- sysDSP™
  - Fully cascadable slice architecture
  - 12 to 160 slices for high performance multiply and accumulate
  - Powerful 54-bit ALU operations
  - Time Division Multiplexing MAC Sharing
  - Rounding and truncation
  - Each slice supports
    - Half 36 × 36, two 18 × 18 or four 9 × 9 multipliers
    - Advanced 18 × 36 MAC and 18 × 18 Multiply-Multiply-Accumulate (MMAC) operations
- Flexible Memory Resources
  - Up to 3.744 Mb sysMEM™ Embedded Block RAM (EBR)
  - 194k to 669k bits distributed RAM

- sysCLOCK Analog PLLs and DLLs
  - Four DLLs and four PLLs in LFE5-45 and LFE5-85; two DLLs and two PLLs in LFE5-25 and LFE5-12
- Pre-Engineered Source Synchronous I/O
  - DDR registers in I/O cells
  - Dedicated read/write levelling functionality
  - Dedicated gearing logic
  - Source synchronous standards support
  - ADC/DAC, 7:1 LVDS, XGMII
  - High Speed ADC/DAC devices
  - Dedicated DDR2/DDR3 and LPDDR2/LPDDR3 memory support with DQS logic, up to 800 Mb/s data-rate
- Programmable sysI/O™ Buffer Supports Wide Range of Interfaces
  - On-chip termination
  - LVTTTL and LVCMOS 33/25/18/15/12
  - SSTL 18/15 I, II
  - HSUL12
  - LVDS, Bus-LVDS, LVPECL, RSDS, MLVDS
  - subLVDS and SLVS, SoftIP MIPI D-PHY receiver/transmitter interfaces
- Flexible Device Configuration
  - Shared bank for configuration I/O
  - SPI boot flash interface
  - Dual-boot images supported
  - Slave SPI
  - TransFR™ I/O for simple field updates
- Single Event Upset (SEU) Mitigation Support
  - Soft Error Detect – Embedded hard macro
  - Soft Error Correction – Without stopping user operation
  - Soft Error Injection – Emulate SEU event to debug system error handling
- System Level Support
  - IEEE 1149.1 and IEEE 1532 compliant
  - Reveal Logic Analyzer
  - On-chip oscillator for initialization and general use
  - V core power supply for ECP5, 1.2 V core power supply for ECP5UM5G

**Table 1.1. ECP5 and ECP5-5G Family Selection Guide**

Device	LFE5UM-25 LFE5UM5G-25	LFE5UM-45 LFE5UM5G-45	LFE5UM-85 LFE5UM5G-85	LFE5U-12	LFE5U-25	LFE5U-45	LFE5U-85
LUTs (k)	24	44	84	12	24	44	84
sysMEM Blocks (18 kb)	56	108	208	32	56	108	208
Embedded Memory (kb)	1,008	1944	3744	576	1,008	1944	3744
Distributed RAM Bits (kb)	194	351	669	97	194	351	669
18 × 18 Multipliers	28	72	156	28	28	72	156
SerDes (Dual/Channels)	1/2	2/4	2/4	0	0	0	0
PLLs/DLLs	2/2	4/4	4/4	2/2	2/2	4/4	4/4
<b>Packages (SerDes Channels/I/O Count)</b>							
144 TQFP (20 mm × 20 mm, 0.5 mm)	—	—	—	0/98	0/98	0/98	—
256 caBGA (14 mm × 14 mm, 0.8 mm)	—	—	—	0/197	0/197	0/197	—
285 csfBGA (10 mm × 10 mm, 0.5 mm)	2/118	2/118	2/118	0/118	0/118	0/118	0/118
381 caBGA (17 mm × 17 mm, 0.8 mm)	2/197	4/203	4/205	0/197	0/197	0/203	0/205

Device	LFE5UM-25 LFE5UM5G-25	LFE5UM-45 LFE5UM5G-45	LFE5UM-85 LFE5UM5G-85	LFE5U-12	LFE5U-25	LFE5U-45	LFE5U-85
554 caBGA (23 mm × 23 mm, 0.8 mm)	—	4/245	4/259	—	—	0/245	0/259
756 caBGA (27 mm × 27 mm, 0.8 mm)	—	—	4/365	—	—	—	0/365

## 2. Architecture

### 2.1. Overview

Each ECP5/ECP5-5G device contains an array of logic blocks surrounded by Programmable I/O Cells (PIC). Interspersed between the rows of logic blocks are rows of sysMEM™ Embedded Block RAM (EBR) and rows of sysDSP™ Digital Signal Processing slices, as shown in [Figure 2.1](#). The LFE5-85 devices have three rows of DSP slices, the LFE5-45 devices have two rows, and both LFE5-25 and LFE5-12 devices have one. In addition, the LFE5UM/LFE5UM5G devices contain SerDes Duals on the bottom of the device.

The Programmable Functional Unit (PFU) contains the building blocks for logic, arithmetic, Random-Access Memory (RAM), and Read-Only Memory (ROM) functions. The PFU block is optimized for flexibility, allowing complex designs to be implemented quickly and efficiently. Logic Blocks are arranged in a two-dimensional array.

The ECP5/ECP5-5G devices contain one or more rows of sysMEM EBR blocks. sysMEM EBRs are large, dedicated 18 Kb fast memory blocks. Each sysMEM block can be configured in a variety of depths and widths as RAM or ROM. In addition, ECP5/ECP5-5G devices contain up to three rows of DSP slices. Each DSP slice has multipliers and adder/accumulators, which are the building blocks for complex signal processing capabilities.

The ECP5 devices feature up to four embedded 3.2 Gb/s SerDes channels, and the ECP5-5G devices feature up to four embedded 5 Gb/s SerDes channels. Each SerDes channel contains independent 8b/10b encoding/decoding, polarity adjust and elastic buffer logic. Each group of two SerDes channels, along with its Physical Coding Sublayer (PCS) block, creates a dual DCU (Dual Channel Unit). The functionality of the SerDes/PCS duals can be controlled by SRAM cell settings during device configuration or by registers that are addressable during device operation. The registers in every dual can be programmed via the SerDes Client Interface (SCI). These DCUs (up to two) are located at the bottom of the devices.

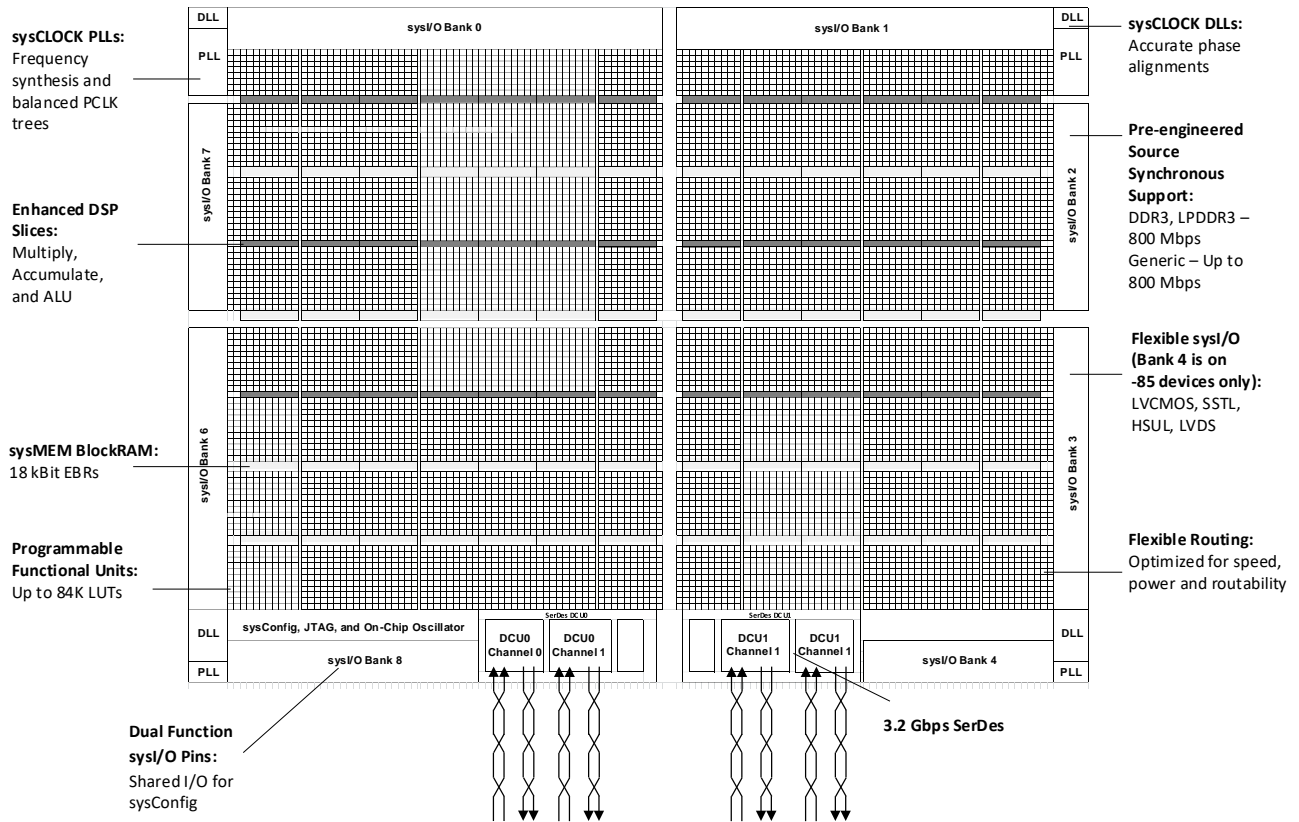
Each PIC block encompasses two PIOs (PIO pairs) with their respective sysI/O buffers. The sysI/O buffers of the ECP5/ECP5-5G devices are arranged in seven banks (eight banks for LFE5-85 devices in caBGA756 and caBGA554 packages), allowing the implementation of a wide variety of I/O standards. One of these banks (Bank 8) is shared with the programming interfaces. Half of the PIO pairs on the left and right edges of the device can be configured as LVDS transmit pairs, and all pairs on left and right can be configured as LVDS receive pairs. The PIC logic in the left and right banks also includes pre-engineered support to aid in the implementation of high speed source synchronous standards such as XGMII, 7:1 LVDS, along with memory interfaces including DDR3 and LPDDR3.

The ECP5/ECP5-5G registers in PFU and sysI/O can be configured to be SET or RESET. After power up and the device is configured, it enters into user mode with these registers SET/RESET according to the configuration setting, allowing the device entering to a known state for predictable system function.

Other blocks provided include PLLs, DLLs and configuration functions. The ECP5/ECP5-5G architecture provides up to four Delay-Locked Loops (DLLs) and up to four Phase-Locked Loops (PLLs). The PLL and DLL blocks are located at the corners of each device.

The configuration block that supports features such as configuration bit-stream decryption, transparent updates and dual-boot support is located at the bottom of each device, to the left of the SerDes blocks. Every device in the ECP5/ECP5-5G family supports a sysCONFIG™ ports located in that same corner, powered by V<sub>CCIO8</sub>, allowing for serial or parallel device configuration.

In addition, every device in the family has a JTAG port. This family also provides an on-chip oscillator and soft error detect capability. The ECP5 devices use 1.1 V and ECP5UM5G devices use 1.2 V as their core voltage.



**Note:** There is no Bank 4 in -25 and -45 devices.  
There are no PLL and DLL on the top corners in -25 devices.

**Figure 2.1. Simplified Block Diagram, LFE5UM/LFE5UM5G-85 Device (Top Level)**

## 2.2. PFU Blocks

The core of the ECP5/ECP5-5G device consists of PFU blocks. Each PFU block consists of four interconnected slices numbered 0-3, as shown in Figure 2.2. Each slice contains two LUTs. All the interconnections to and from PFU blocks are from routing. There are 50 inputs and 23 outputs associated with each PFU block.

The PFU block can be used in Distributed RAM or ROM function, or used to perform Logic, Arithmetic, or ROM functions. Table 2.1 shows the functions each slice can perform in either mode.

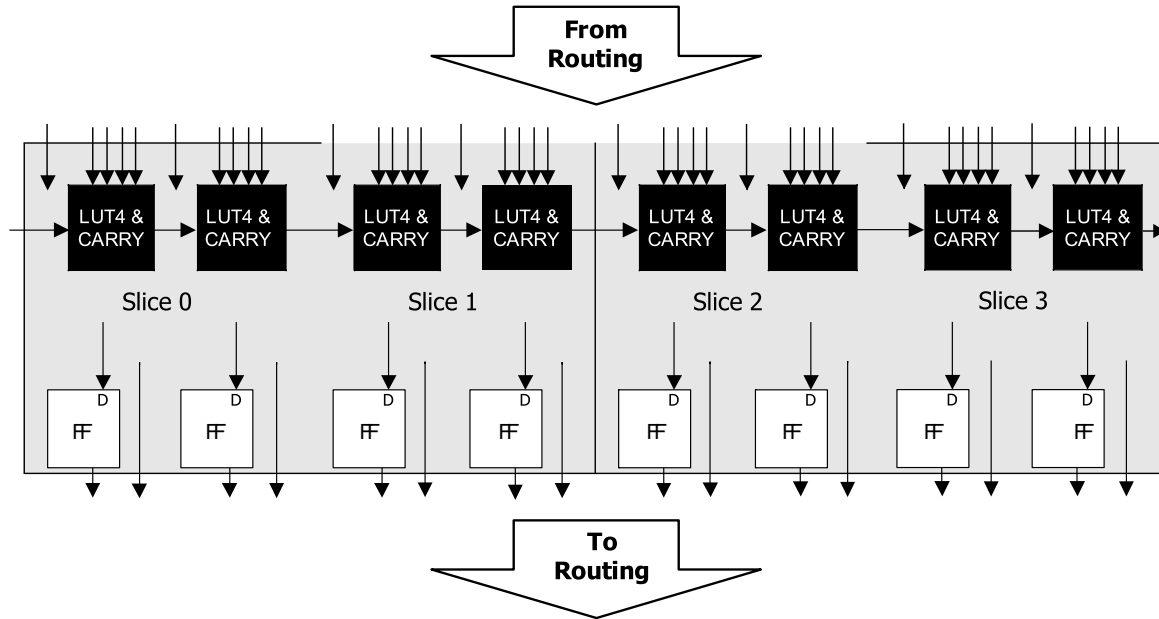


Figure 2.2. PFU Diagram

### 2.2.1. Slice

Each slice contains two LUT4s feeding two registers. In Distributed SRAM mode, Slice 0 through Slice 2 are configured as distributed memory, and Slice 3 is used as Logic or ROM. Table 2.1 shows the capability of the slices along with the operation modes they enable. In addition, each PFU contains logic that allows the LUTs to be combined to perform functions such as LUT5, LUT6, LUT7, and LUT8. There is control logic to perform set/reset functions (programmable as synchronous/asynchronous), clock select, chip-select and wider RAM/ROM functions.

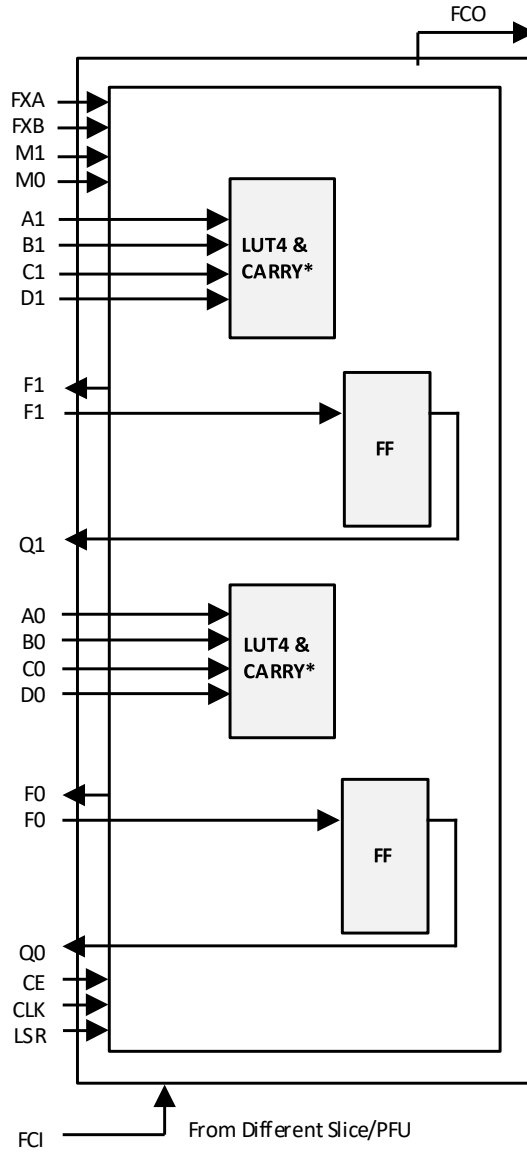
Table 2.1. Resources and Modes Available per Slice

Slice	PFU (Used in Distributed SRAM)		PFU (Not used as Distributed SRAM)	
	Resources	Modes	Resources	Modes
Slice 0	2 LUT4s and 2 Registers	RAM	2 LUT4s and 2 Registers	Logic, Ripple, ROM
Slice 1	2 LUT4s and 2 Registers	RAM	2 LUT4s and 2 Registers	Logic, Ripple, ROM
Slice 2	2 LUT4s and 2 Registers	RAM	2 LUT4s and 2 Registers	Logic, Ripple, ROM
Slice 3	2 LUT4s and 2 Registers	Logic, Ripple, ROM	2 LUT4s and 2 Registers	Logic, Ripple, ROM

Figure 2.3 shows an overview of the internal logic of the slice. The registers in the slice can be configured for positive/negative and edge triggered or level sensitive clocks.

Each slice has 14 input signals, 13 signals from routing and one from the carry-chain (from the adjacent slice or PFU). There are five outputs, four to routing and one to carry-chain (to the adjacent PFU). There are two inter slice/PFU output signals that are used to support wider LUT functions, such as LUT6, LUT7, and LUT8. Table 2.2 and Figure 2.3 list the signals associated with all the slices. Figure 2.4 shows the connectivity of the inter-slice/PFU signals that support LUT5, LUT6, LUT7, and LUT8.





**Note:** For Slices 0 and 1, memory control signals are generated from Slice 2 as follows:  
WCK is CLK  
WRE is from LSR  
DI[3:2] for Slice 1 and DI[1:0] for Slice 0 data from Slice 2  
WAD [A:D] is a 4-bit address from slice 2 LUT input

**Figure 2.3. Slice Diagram**

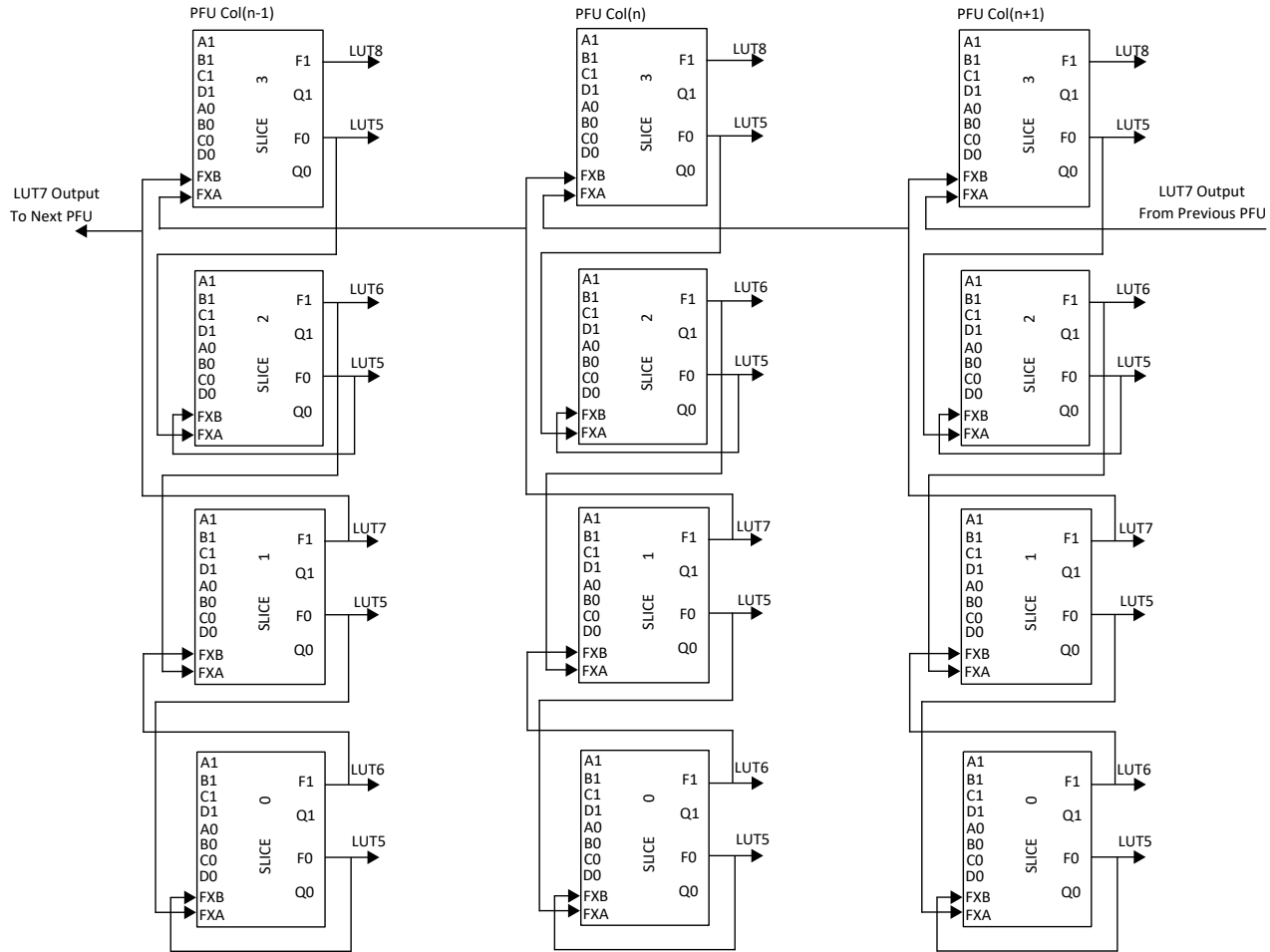


Figure 2.4. Connectivity Supporting LUT5, LUT6, LUT7, and LUT8

Table 2.2. Slice Signal Descriptions

Function	Type	Signal Names	Description
Input	Data signal	A0, B0, C0, D0	Inputs to LUT4
Input	Data signal	A1, B1, C1, D1	Inputs to LUT4
Input	Multi-purpose	M0	Multipurpose Input
Input	Multi-purpose	M1	Multipurpose Input
Input	Control signal	CE	Clock Enable
Input	Control signal	LSR	Local Set/Reset
Input	Control signal	CLK	System Clock
Input	Inter-PFU signal	FCI	Fast Carry-in <sup>1</sup>
Input	Inter-slice signal	FXA	Intermediate signal to generate LUT6, LUT7 and LUT8 <sup>2</sup>
Input	Inter-slice signal	FXB	Intermediate signal to generate LUT6, LUT7 and LUT8 <sup>2</sup>
Output	Data signals	F0, F1	LUT4 output register bypass signals
Output	Data signals	Q0, Q1	Register outputs
Output	Inter-PFU signal	FCO	Fast carry chain output <sup>1</sup>

Notes:

1. See Figure 2.3 for connection details.
2. Requires two adjacent PFUs.

### 2.2.2. Modes of Operation

Slices 0-2 have up to four potential modes of operation: Logic, Ripple, RAM, and ROM. Slice 3 is not needed for RAM mode, it can be used in Logic, Ripple, or ROM modes.

#### Logic Mode

In this mode, the LUTs in each slice are configured as 4-input combinatorial lookup tables. A LUT4 can have 16 possible input combinations. Any four input logic functions can be generated by programming this lookup table. Since there are two LUT4s per slice, a LUT5 can be constructed within one slice. Larger look-up tables such as LUT6, LUT7, and LUT8 can be constructed by concatenating other slices. Note that LUT8 requires more than four slices.

#### Ripple Mode

Ripple mode supports the efficient implementation of small arithmetic functions. In ripple mode, the following functions can be implemented by each slice:

- Addition 2-bit
- Subtraction 2-bit
- Add/Subtract 2-bit using dynamic control
- Up counter 2-bit
- Down counter 2-bit
- Up/Down counter with asynchronous clear
- Up/Down counter with preload (sync)
- Ripple mode multiplier building block
- Multiplier support
- Comparator functions of A and B inputs
  - A greater-than-or-equal-to B
  - A not-equal-to B
  - A less-than-or-equal-to B

Ripple Mode includes an optional configuration that performs arithmetic using fast carry chain methods. In this configuration (also referred to as CCU2 mode) two additional signals, Carry Generate and Carry Propagate, are generated on a per slice basis to allow fast arithmetic functions to be constructed by concatenating Slices.

#### RAM Mode

In this mode, a 16 × 4-bit distributed single port RAM (SPR) can be constructed in one PFU using each LUT block in Slice 0 and Slice 1 as a 16 × 2-bit memory in each slice. Slice 2 is used to provide memory address and control signals. A 16 × 2-bit pseudo dual port RAM (PDPR) memory is created in one PFU by using one Slice as the read-write port and the other companion slice as the read-only port. The slice with the read-write port updates the SRAM data contents in both slices at the same write cycle.

ECP5/ECP5-5G devices support distributed memory initialization.

The Lattice design tools support the creation of a variety of different size memories. Where appropriate, the software constructs these using distributed memory primitives that represent the capabilities of the PFU. [Table 2.3](#) lists the number of slices required to implement different distributed RAM primitives. For more information about using RAM in ECP5/ECP5-5G devices, refer to [ECP5 and ECP5-5G Memory Usage Guide \(FPGA-TN-02204\)](#).

**Table 2.3. Number of Slices Required to Implement Distributed RAM**

RAM	Number of Slices
SPR 16 X 4	3
PDPR 16 X 4	6

**Note:** SPR = Single Port RAM, PDPR = Pseudo Dual Port RAM

#### ROM Mode

ROM mode uses the LUT logic; hence, Slices 0 through 3 can be used in ROM mode. Preloading is accomplished through the programming interface during PFU configuration.

For more information, refer to [ECP5 and ECP5-5G Memory Usage Guide \(FPGA-TN-02204\)](#).

## 2.3. Routing

There are many resources provided in the ECP5/ECP5-5G devices to route signals individually or as busses with related control signals. The routing resources consist of switching circuitry, buffers and metal interconnect (routing) segments. The ECP5/ECP5-5G family has an enhanced routing architecture that produces a compact design. The Diamond design software tool suites take the output of the synthesis tool and places and routes the design.

## 2.4. Clocking Structure

ECP5/ECP5-5G clocking structure consists of clock synthesis blocks (sysCLOCK PLL); balanced clock tree networks (PCLK and ECLK trees); and efficient clock logic modules (CLOCK DIVIDER and Dynamic Clock Select (DCS), Dynamic Clock Control (DCC) and DLL). All of these functions are described below.

### 2.4.1. sysCLOCK PLL

The sysCLOCK PLLs provide the ability to synthesize clock frequencies. The devices in the ECP5/ECP5-5G family support two to four full-featured General Purpose PLLs. The sysCLOCK PLLs provide the ability to synthesize clock frequencies. The architecture of the PLL is shown in Figure 2.5. A description of the PLL functionality follows.

CLKI is the reference frequency input to the PLL and its source can come from two different external CLK inputs or from internal routing. A non-glitchless 2-to-1 input multiplexor is provided to dynamically select between two different external reference clock sources. The CLKI input feeds into the input Clock Divider block.

CLKFB is the feedback signal to the PLL which can come from internal feedback path, routing or an external I/O pin. The feedback divider is used to multiply the reference frequency and thus synthesize a higher frequency clock output.

The PLL has four clock outputs CLKOP, CLKOS, CLKOS2, and CLKOS3. Each output has its own output divider, thus allowing the PLL to generate different frequencies for each output. The output dividers can have a value from 1 to 128. The CLKOP, CLKOS, CLKOS2, and CLKOS3 outputs can all be used to drive the primary clock network. Only CLKOP and CLKOS outputs can go to the edge clock network.

The setup and hold times of the device can be improved by programming a phase shift into the CLKOS, CLKOS2, and CLKOS3 output clocks which advances or delays the output clock with reference to the CLKOP output clock. This phase shift can be either programmed during configuration or can be adjusted dynamically using the PHASESEL, PHASEDIR, PHASESTEP, and PHASELOADREG ports.

The LOCK signal is asserted when the PLL determines it has achieved lock and de-asserted if a loss of lock is detected.

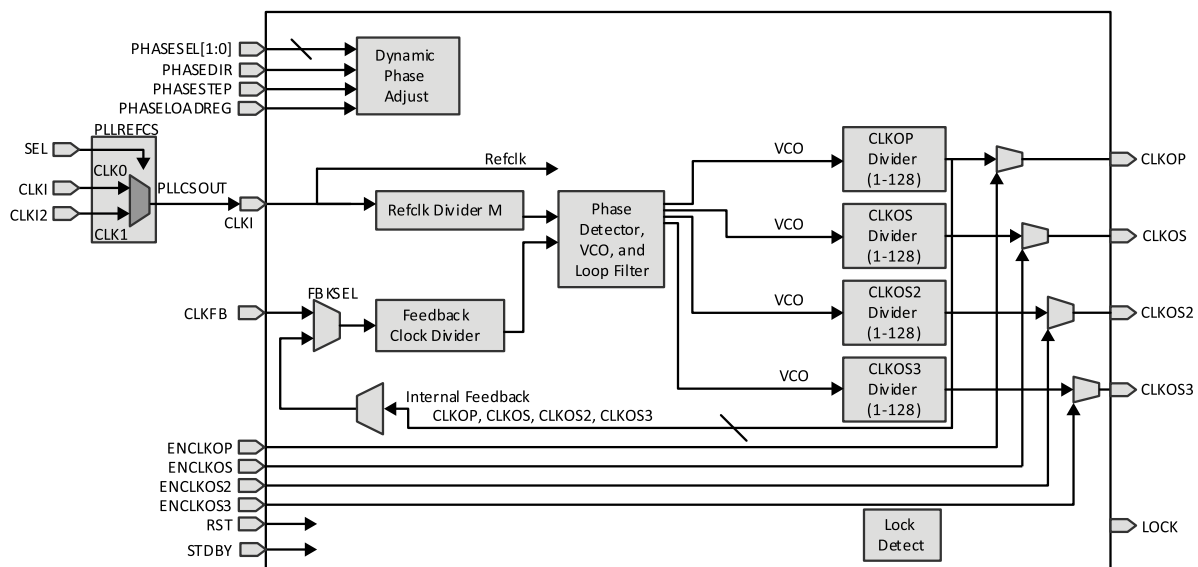


Figure 2.5. General Purpose PLL Diagram

Table 2.4 provides a description of the signals in the PLL blocks.

**Table 2.4. PLL Blocks Signal Descriptions**

Signal	Type	Description
CLKI	Input	Clock Input to PLL from external pin or routing
CLKI2	Input	Mixed clock input to PLL
SEL	Input	Input Clock select, selecting from CLKI and CLKI2 inputs
CLKFB	Input	PLL Feedback Clock
PHASESEL[1:0]	Input	Select which output to be adjusted on Phase by PHASEDIR, PHASESTEP, PHASELOADREG
PHASEDIR	Input	Dynamic Phase adjustment direction
PHASESTEP	Input	Dynamic Phase adjustment step
PHASELOADREG	Input	Load dynamic phase adjustment values into PLL
CLKOP	Output	Primary PLL output clock (with phase shift adjustment)
CLKOS	Output	Secondary PLL output clock (with phase shift adjust)
CLKOS2	Output	Secondary PLL output clock2 (with phase shift adjust)
CLKOS3	Output	Secondary PLL output clock3 (with phase shift adjust)
LOCK	Output	PLL LOCK to CLKI, Asynchronous signal. Active high indicates PLL lock.
STDBY	Input	Standby signal to power down the PLL
RST	Input	Resets the PLL
ENCLKOP	Input	Enable PLL output CLKOP
ENCLKOS	Input	Enable PLL output CLKOS
ENCLKOS2	Input	Enable PLL output CLKOS2
ENCLKOS3	Input	Enable PLL output CLKOS3

For more details on the PLL, you can refer to the [ECP5 and ECP5-5G sysClock PLL/DLL Design and Usage Guide \(FPGA-TN-02200\)](#).

## 2.5. Clock Distribution Network

There are two main clock distribution networks for any member of the ECP5/ECP5-5G product family, namely Primary Clock (PCLK) and Edge Clock (ECLK). These clock networks have the clock sources coming from many different sources, such as Clock Pins, PLL outputs, DLL outputs, Clock divider outputs, SerDes/PCS clocks and some on chip generated clock signal. There are clock dividers (CLKDIV) blocks to provide the slower clock from these clock sources. ECP5/ECP5-5G also supports glitchless dynamic enable function (DCC) for the PCLK Clock to save dynamic power. There are also some logics to allow dynamic glitchless selection between two clocks for the PCLK network (DCS). The overview of Clocking Network is shown in [Figure 2.6](#) for LFE5UM/LFE5UM5G-85 device.

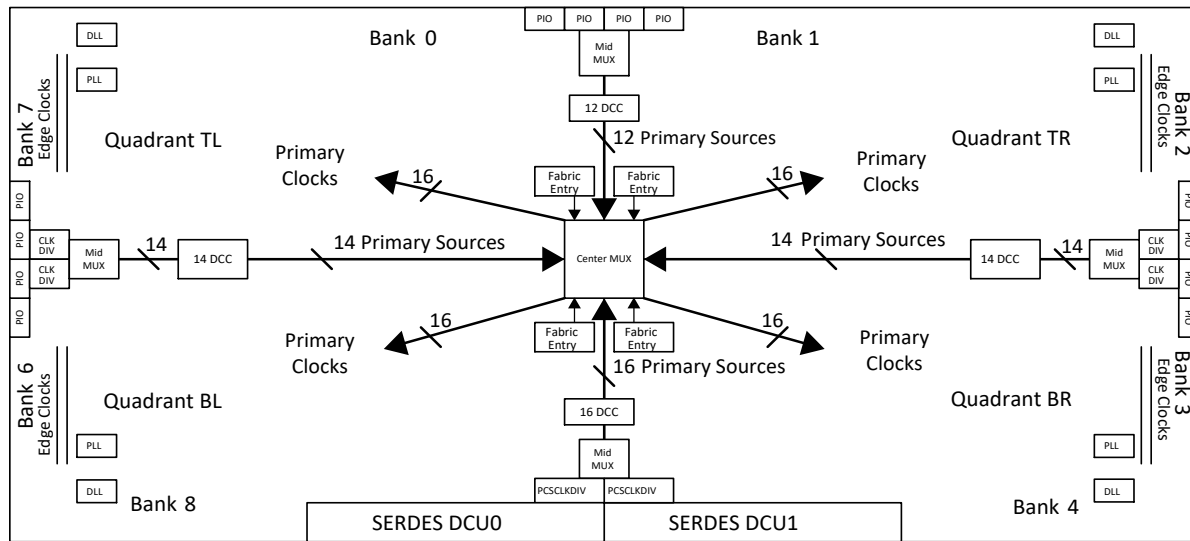


Figure 2.6. LFE5UM/LFE5UM5G-85 Clocking

### 2.5.1. Primary Clocks

The ECP5/ECP5-5G device family provides low-skew, high fan-out clock distribution to all synchronous elements in the FPGA fabric through the Primary Clock Network.

The primary clock network is divided into four clocking quadrants: Top Left (TL), Bottom Left (BL), Top Right (TR), and Bottom Right (BR). Each of these quadrants has 16 clocks that can be distributed to the fabric in the quadrant.

The Lattice Diamond software can automatically route each clock to one of the four quadrants up to a maximum of 16 clocks per quadrant. You can change how the clocks are routed by specifying a preference in the Lattice Diamond software to locate the clock to specific. The ECP5/ECP5-5G device provides you with a maximum of 64 unique clock input sources that can be routed to the primary Clock network.

Primary clock sources are:

- Clock input pins
- PLL outputs
- CLKDIV outputs
- Internal FPGA fabric entries (with minimum general routing)
- SerDes/PCS/PCSDIV clocks
- OSC clock

These sources are routed to one of four clock switches called a Mid MUX. The outputs of the Mid MUX are routed to the center of the FPGA where another clock switch, called the Center MUX, is used to route the primary clock sources to primary clock distribution to the ECP5/ECP5-5G fabric. These routing muxes are shown in [Figure 2.6](#). Since there is a maximum of 60 unique clock input sources to the clocking quadrants, there are potentially 64 unique clock domains that can be used in the ECP5/ECP5-5G Device. For more information about the primary clock tree and connections, refer to [ECP5 and ECP5-5G sysClock PLL/DLL Design and Usage Guide \(FPGA-TN-02200\)](#).

### 2.5.1.1. Dynamic Clock Control

The Dynamic Clock Control (DCC), Quadrant Clock enable/disable feature allows internal logic control of the quadrant primary clock network. When a clock network is disabled, the clock signal is static and not toggle. All the logic fed by that clock does not toggle, reducing the overall power consumption of the device. The disable function does not create glitch and increase the clock latency to the primary clock network.

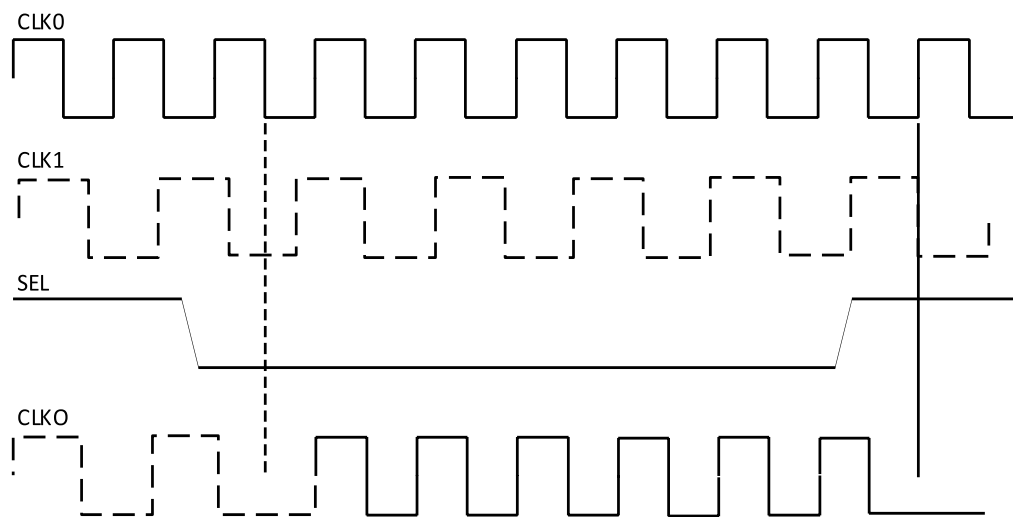
This DCC controls the clock sources from the Primary CLOCK MIDMUX before they are fed to the Primary Center MUXs that drive the quadrant clock network. For more information about the DCC, refer to [ECP5 and ECP5-5G sysClock PLL/DLL Design and Usage Guide \(FPGA-TN-02200\)](#).

### 2.5.1.2. Dynamic Clock Select

The Dynamic Clock Select (DCS) is a smart multiplexer function available in the primary clock routing. It switches between two independent input clock sources. Depending on the operation modes, it switches between two (2) independent input clock sources either with or without any glitches. This is achieved regardless of when the select signal is toggled. Both input clocks must be running to achieve functioning glitch-less DCS output clock, but it is not required running clocks when used as non-glitch-less normal clock multiplexer.

There are two DCS blocks per device that are fed to all quadrants. The inputs to the DCS block come from all the output of MIDMUXs and Clock from CIB located at the center of the PLC array core. The output of the DCS is connected to one of the inputs of Primary Clock Center MUX.

[Figure 2.7](#) shows the timing waveforms of the default DCS operating mode. The DCS block can be programmed to other modes. For more information about the DCS, refer to [ECP5 and ECP5-5G sysClock PLL/DLL Design and Usage Guide \(FPGA-TN-02200\)](#).



**Figure 2.7. DCS Waveforms**

### 2.5.2. Edge Clock

ECP5/ECP5-5G devices have a number of high-speed edge clocks that are intended for use with the PIOs in the implementation of high-speed interfaces. There are two ECLK networks per bank I/O on the Left and Right sides of the devices.

Each Edge Clock can be sourced from the following:

- Dedicated clock input pins (PCLK)
- DLLDEL output (Clock delayed by 90o)
- PLL outputs (CLKOP and CLKOS)
- ECLKBRIDGE
- Internal nodes

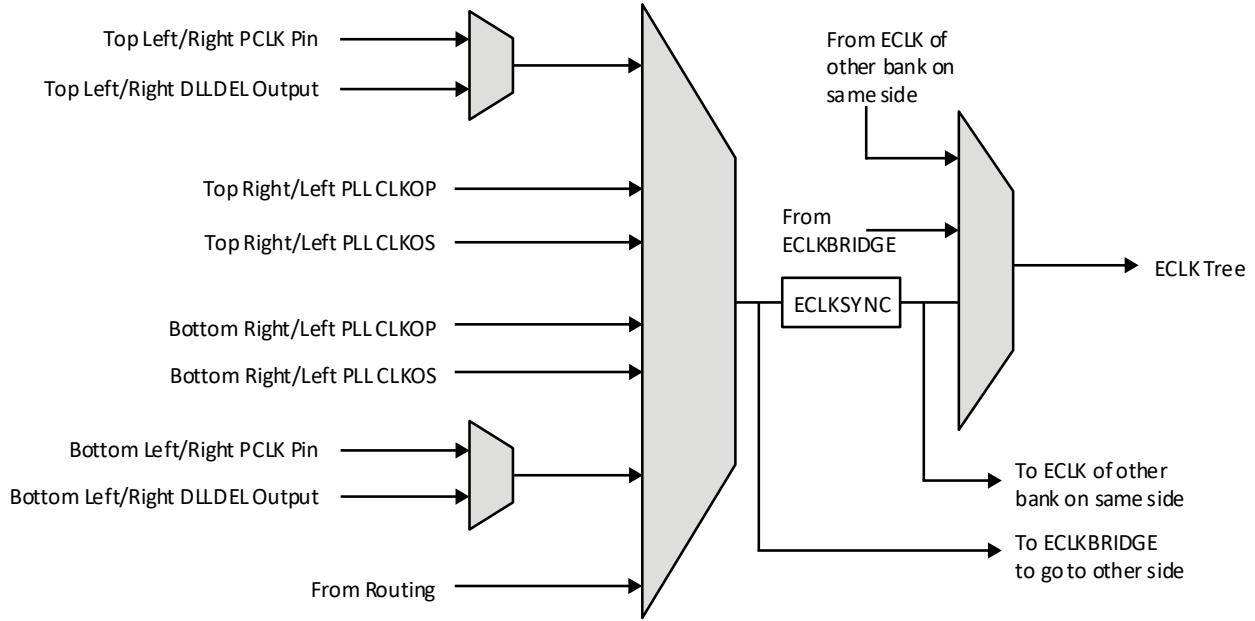


Figure 2.8. Edge Clock Sources per Bank

The edge clocks have low injection delay and low skew. They are used for DDR Memory or Generic DDR interfaces. For detailed information on Edge Clock connections, refer to [ECP5 and ECP5-5G sysClock PLL/DLL Design and Usage Guide \(FPGA-TN-02200\)](#).

## 2.6. Clock Dividers

ECP5/ECP5-5G devices have four clock dividers, two on the left side and two on the right side of the device. These are intended to generate a slower-speed system clock from a high-speed edge clock. The block operates in a  $\div 2$ ,  $\div 3.5$  mode and maintains a known phase relationship between the divided down clock and the high-speed clock based on the release of its reset signal.

The clock dividers can be fed from selected PLL outputs, external primary clock pins multiplexed with the DDRDEL Slave Delay or from routing. The clock divider outputs serve as primary clock sources and feed into the clock distribution network. The Reset (RST) control signal resets input and asynchronously forces all outputs to low. The SLIP signal slips the outputs one cycle relative to the input clock. For further information on clock dividers, refer to [ECP5 and ECP5-5G sysClock PLL/DLL Design and Usage Guide \(FPGA-TN-02200\)](#). Figure 2.9 shows the clock divider connections.

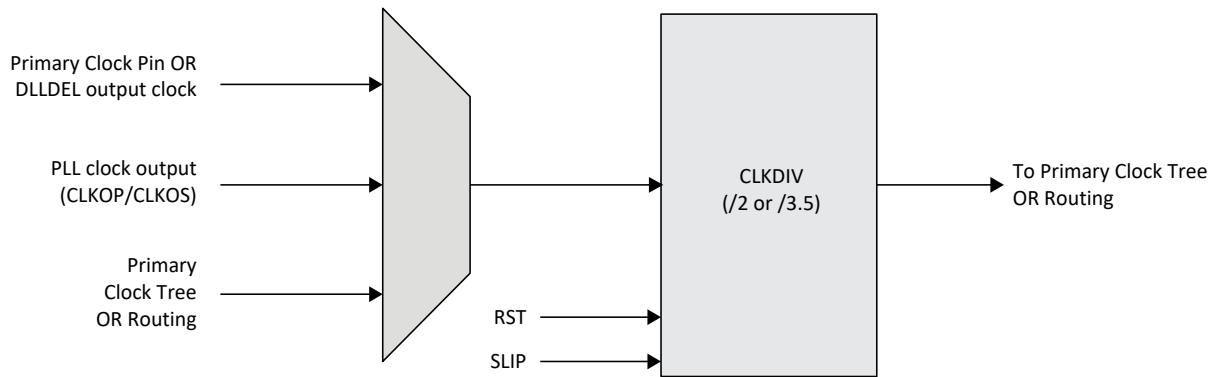


Figure 2.9. ECP5/ECP5-5G Clock Divider Sources



## 2.7. DDRDLL

Every DDRDLL (master DLL block) can generate phase shift code representing the amount of delay in a delay block that corresponds to 90° phase of the reference clock input. The reference clock can be either from PLL, or input pin. This code is used in the DQSBUF block that controls a set of DQS pin groups to interface with DDR memory (slave DLL). There are two DDRDLLs that supply two sets of codes (for two different reference clock frequencies) to each side of the I/O (at each of the corners). The DQSBUF uses this code to controls the DQS input of the DDR memory to 90° shift to clock DQs at the center of the data eye for DDR memory interface.

The code is also sent to another slave DLL, DLLDEL, that takes a clock input and generates a 90° shift clock output to drive the clocking structure. This is useful to interface edge-aligned Generic DDR, where 90° clocking needs to be created. Figure 2.10 shows DDRDLL functional diagram.

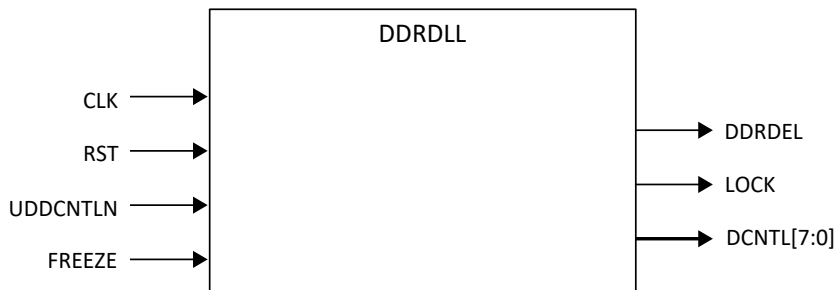


Figure 2.10. DDRDLL Functional Diagram

Table 2.5. DDRDLL Ports List

Port Name	Type	Description
CLK	Input	Reference clock input to the DDRDLL. Should run at the same frequency as the clock to the delay code.
RST	Input	Reset Input to the DDRDLL.
UDDCNTLN	Input	Update Control to update the delay code. The code is the DCNTL[7:0] outputs. These outputs are updated when the UDDCNTLN signal is LOW.
FREEZE	Input	FREEZE goes high and, without a glitch, turns off the DLL internal clock and the ring oscillator output clock. When FREEZE goes low, it turns them back on.
DDRDEL	Output	The delay codes from the DDRDLL to be used in DQSBUF or DLLDEL.
LOCK	Output	Lock output to indicate the DDRDLL has valid delay output.
DCNTL [7:0]	Output	The delay codes from the DDRDLL available for the user IP.

There are four identical DDRDLLs, one in each of the four corners in LFE5-85 and LFE5-45 devices, and two DDRDLLs in both LFE5-25 and LFE5-12 devices in the upper two corners. Each DDRDLL can generate delay code based on the reference frequency. The slave DLL (DQSBUF and DLLDEL) use the code to delay the signal, to create the phase shifted signal used for either DDR memory, to create 90° shift clock. Figure 2.11 shows the DDRDLL and the slave DLLs on the top level view.

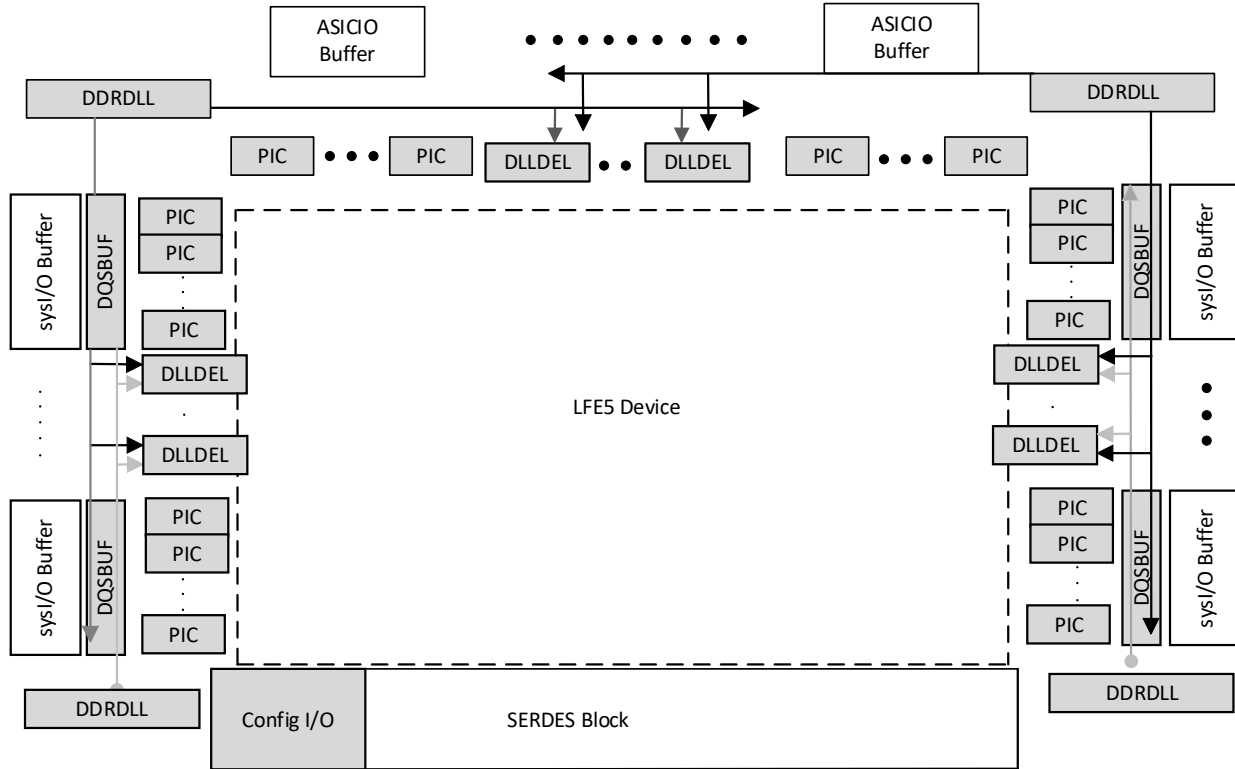


Figure 2.11. ECP5/ECP5-5G DLL Top Level View (For LFE-45 and LFE-85)

## 2.8. sysMEM Memory

ECP5/ECP5-5G devices contain a number of sysMEM Embedded Block RAM (EBR). The EBR consists of an 18 Kb RAM with memory core, dedicated input registers and output registers with separate clock and clock enable. Each EBR includes functionality to support true dual-port, pseudo dual-port, single-port RAM, ROM and FIFO buffers (via external PFUs).

### 2.8.1. sysMEM Memory Block

The sysMEM block can implement single-port, dual-port, or pseudo dual-port memories. Each block can be used in a variety of depths and widths as listed in [Table 2.6](#). FIFOs can be implemented in sysMEM EBR blocks by implementing support logic with PFUs. The EBR block facilitates parity checking by supporting an optional parity bit for each data byte. EBR blocks provide byte-enable support for configurations with 18-bit and 36-bit data widths. For more information, refer to [ECP5 and ECP5-5G Memory Usage Guide \(FPGA-TN-02204\)](#).

**Table 2.6. sysMEM Block Configurations**

Memory Mode	Configurations
Single Port	16,384 × 1
	8,192 × 2
	4,096 × 4
	2,048 × 9
	1,024 × 18
	512 × 36
True Dual Port	16,384 × 1
	8,192 × 2
	4,096 × 4
	2,048 × 9
	1,024 × 18
	512 × 36
Pseudo Dual Port	16,384 × 1
	8,192 × 2
	4,096 × 4
	2,048 × 9
	1,024 × 18
	512 × 36

### 2.8.2. Bus Size Matching

All of the multi-port memory modes support different widths on each of the ports. The RAM bits are mapped LSB word 0 to MSB word 0, LSB word 1 to MSB word 1, and so on. Although the word size and number of words for each port varies, this mapping scheme applies to each port.

### 2.8.3. RAM Initialization and ROM Operation

If desired, the contents of the RAM can be pre-loaded during device configuration. By preloading the RAM block during the chip configuration cycle and disabling the write controls, the sysMEM block can also be utilized as a ROM.

### 2.8.4. Memory Cascading

Larger and deeper blocks of RAM can be created using EBR sysMEM Blocks. Typically, the Lattice design tools cascade memory transparently, based on specific design inputs.

### 2.8.5. Single, Dual, and Pseudo-Dual Port Modes

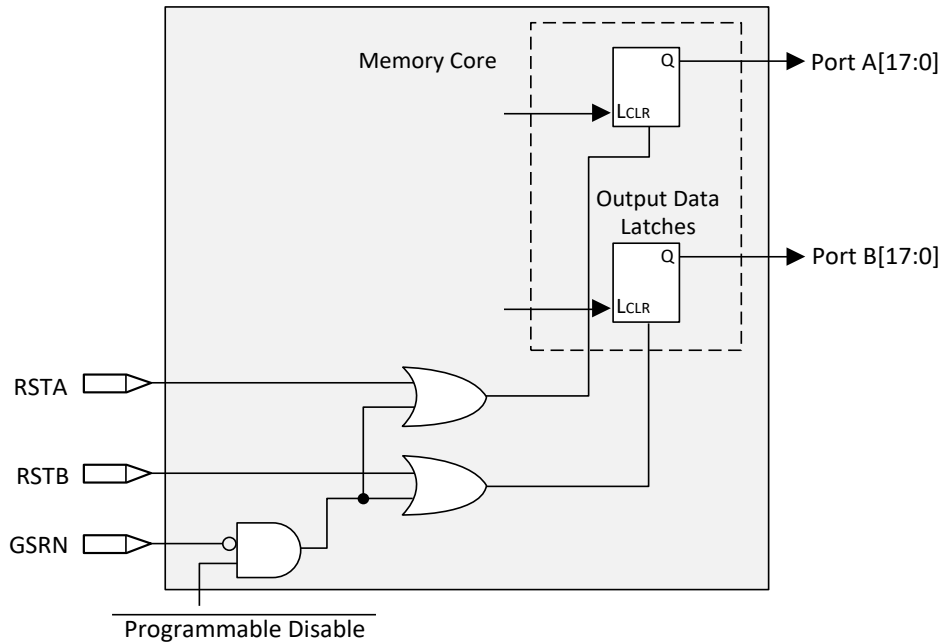
In all the sysMEM RAM modes the input data and address for the ports are registered at the input of the memory array. The output data of the memory is optionally registered at the output.

EBR memory supports the following forms of write behavior for single port or dual port operation:

- Normal – Data on the output appears only during a read cycle. During a write cycle, the data (at the current address) does not appear on the output. This mode is supported for all data widths.
- Write Through – A copy of the input data appears at the output of the same port during a write cycle. This mode is supported for all data widths.
- Read-Before-Write – When new data is written, the old content of the address appears at the output. This mode is supported for x9, x18, and x36 data widths.

### 2.8.6. Memory Core Reset

The memory array in the EBR utilizes latches at the A and B output ports. These latches can be reset asynchronously or synchronously. RSTA and RSTB are local signals, which reset the output latches associated with Port A and Port B, respectively. The Global Reset (GSRN) signal can reset both ports. The output data latches and associated resets for both ports are as shown in [Figure 2.12](#).



**Figure 2.12. Memory Core Reset**

For further information on the sysMEM EBR block, see the list of technical documentation in [Supplemental Information](#) section.

## 2.9. sysDSP™ Slice

The ECP5/ECP5-5G family provides an enhanced sysDSP architecture, making it ideally suited for low-cost, high-performance Digital Signal Processing applications. Typical functions used in these applications are Finite Impulse Response (FIR) filters, Fast Fourier Transforms (FFT) functions, Correlators, Reed-Solomon/Turbo/Convolution encoders and decoders. These complex signal processing functions use similar building blocks such as multiply-adders and multiply-accumulators.

### 2.9.1. sysDSP Slice Approach Compared to General DSP

Conventional general-purpose DSP chips typically contain one to four (Multiply and Accumulate) MAC units with fixed data-width multipliers; this leads to limited parallelism and limited throughput. Their throughput is increased by higher clock speeds. In the ECP5/ECP5-5G device family, there are many DSP slices that can be used to support different data widths. This allows designers to use highly parallel implementations of DSP functions. Designers can optimize DSP performance vs. area by choosing appropriate levels of parallelism. [Figure 2.13](#) compares the fully serial implementation to the mixed parallel and serial implementation.

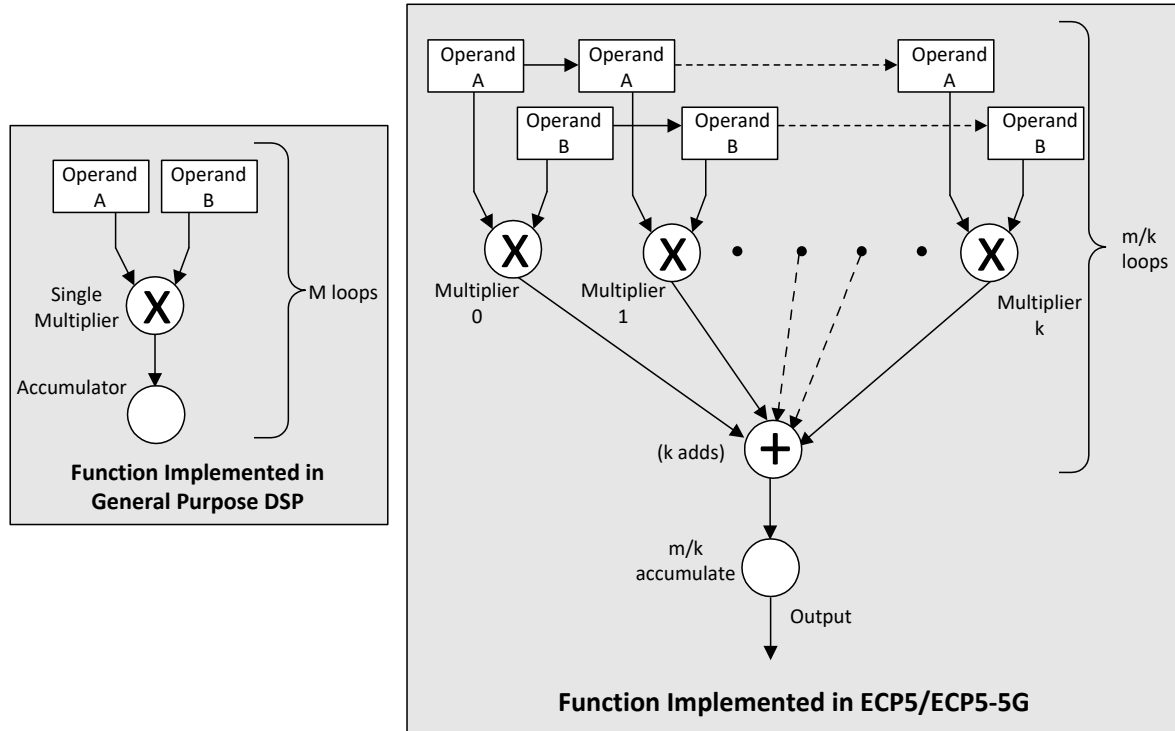


Figure 2.13. Comparison of General DSP and ECP5/ECP5-5G Approaches

### 2.9.2. sysDSP Slice Architecture Features

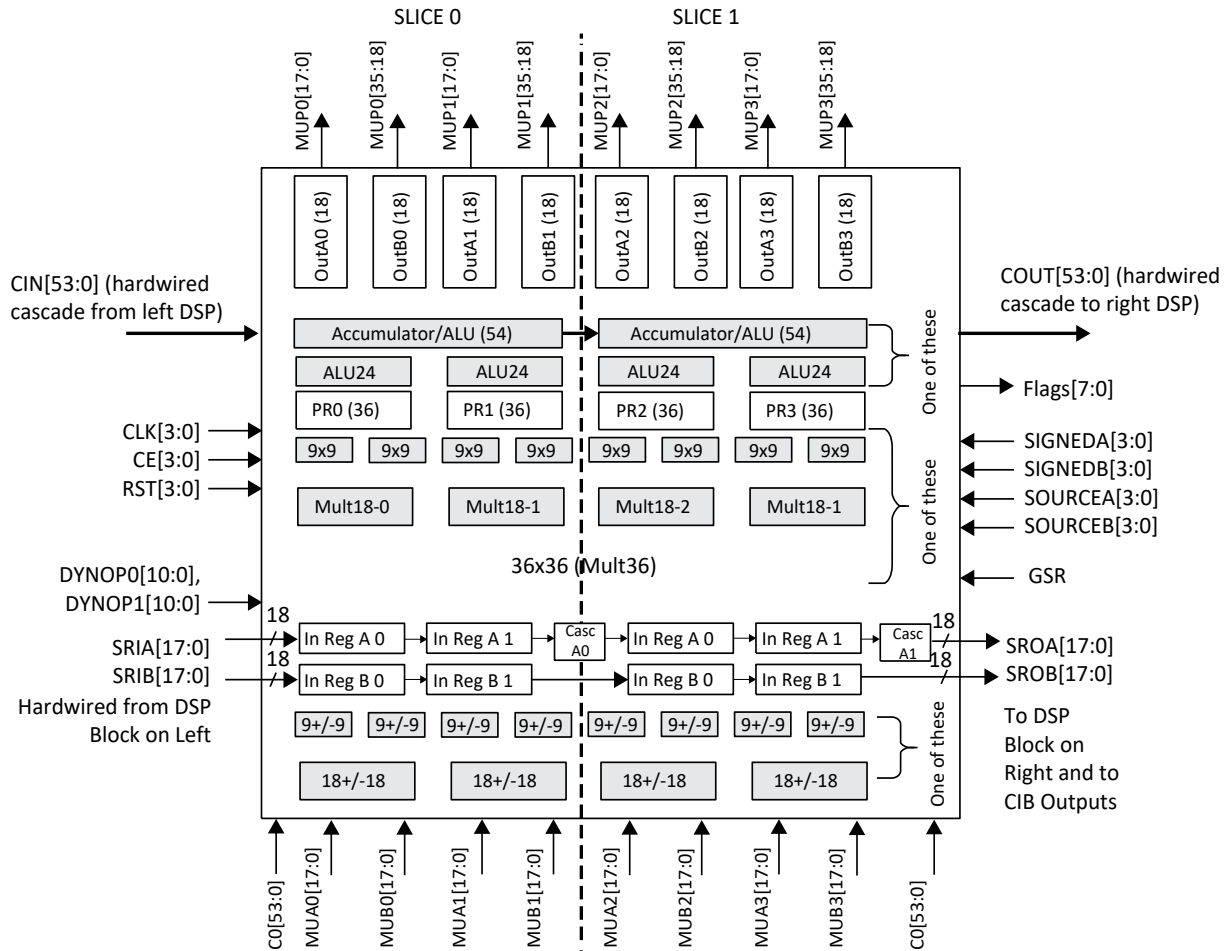
The ECP5/ECP5-5G sysDSP Slice has been significantly enhanced to provide functions needed for advanced processing applications. These enhancements provide improved flexibility and resource utilization.

The ECP5/ECP5-5G sysDSP Slice supports many functions that include the following:

- Symmetry support. The primary target application is wireless. 1D Symmetry is useful for many applications that use FIR filters when their coefficients have symmetry or asymmetry characteristics. The main motivation for using 1D symmetry is cost/size optimization. The expected size reduction is up to 2x.
  - Odd mode – Filter with Odd number of taps
  - Even mode – Filter with Even number of taps
  - Two dimensional (2D) symmetry mode – supports 2D filters for mainly video applications
- Dual-multiplier architecture. Lower accumulator overhead to half and the latency to half compared to single multiplier architecture
- Fully cascadable DSP across slices. Support for symmetric, asymmetric and non-symmetric filters.
- Multiply (one  $18 \times 36$ , two  $18 \times 18$  or four  $9 \times 9$  Multiplies per Slice)
- Multiply ( $36 \times 36$  by cascading across two sysDSP slices)
- Multiply Accumulate (supports one  $18 \times 36$  multiplier result accumulation or two  $18 \times 18$  multiplier result accumulation)
- Two Multiplies feeding one Accumulate per cycle for increased processing with lower latency (two  $18 \times 18$  Multiplies feed into an accumulator that can accumulate up to 52 bits)
- Pipeline registers
- 1D Symmetry support. The coefficients of FIR filters have symmetry or negative symmetry characteristics.
  - Odd mode – Filter with Odd number of taps
  - Even mode – Filter with Even number of taps

- 2D Symmetry support. The coefficients of 2D FIR filters have symmetry or negative symmetry characteristics.
  - $3 \times 3$  and  $3 \times 5$  – Internal DSP Slice support
  - $5 \times 5$  and larger size 2D blocks – Semi internal DSP Slice support
- Flexible saturation and rounding options to satisfy a diverse set of applications situations
- Flexible cascading across DSP slices
  - Minimizes fabric use for common DSP and ALU functions
  - Enables implementation of FIR Filter or similar structures using dedicated sysDSP slice resources only
  - Provides matching pipeline registers
  - Can be configured to continue cascading from one row of sysDSP slices to another for longer cascade chains
- Flexible and Powerful Arithmetic Logic Unit (ALU) Supports:
  - Dynamically selectable ALU OPCODE
  - Ternary arithmetic (addition/subtraction of three inputs)
  - Bit-wise two-input logic operations (AND, OR, NAND, NOR, XOR and XNOR)
  - Eight flexible and programmable ALU flags that can be used for multiple pattern detection scenarios, such as, overflow, underflow and convergent rounding.
  - Flexible cascading across slices to get larger functions
- RTL Synthesis friendly synchronous reset on all registers, while still supporting asynchronous reset for legacy users
- Dynamic MUX selection to allow Time Division Multiplexing (TDM) of resources for applications that require processor-like flexibility that enables different functions for each clock cycle

For most cases, as shown in [Figure 2.14](#), the ECP5/ECP5-5G sysDSP slice is backwards-compatible with the LatticeECP2™ and LatticeECP3™ sysDSP block, such that, legacy applications can be targeted to the ECP5/ ECP5-5G sysDSP slice. [Figure 2.14](#) shows the diagram of sysDSP and [Figure 2.15](#) shows the detailed diagram.



**Figure 2.14. Simplified sysDSP Slice Block Diagram**

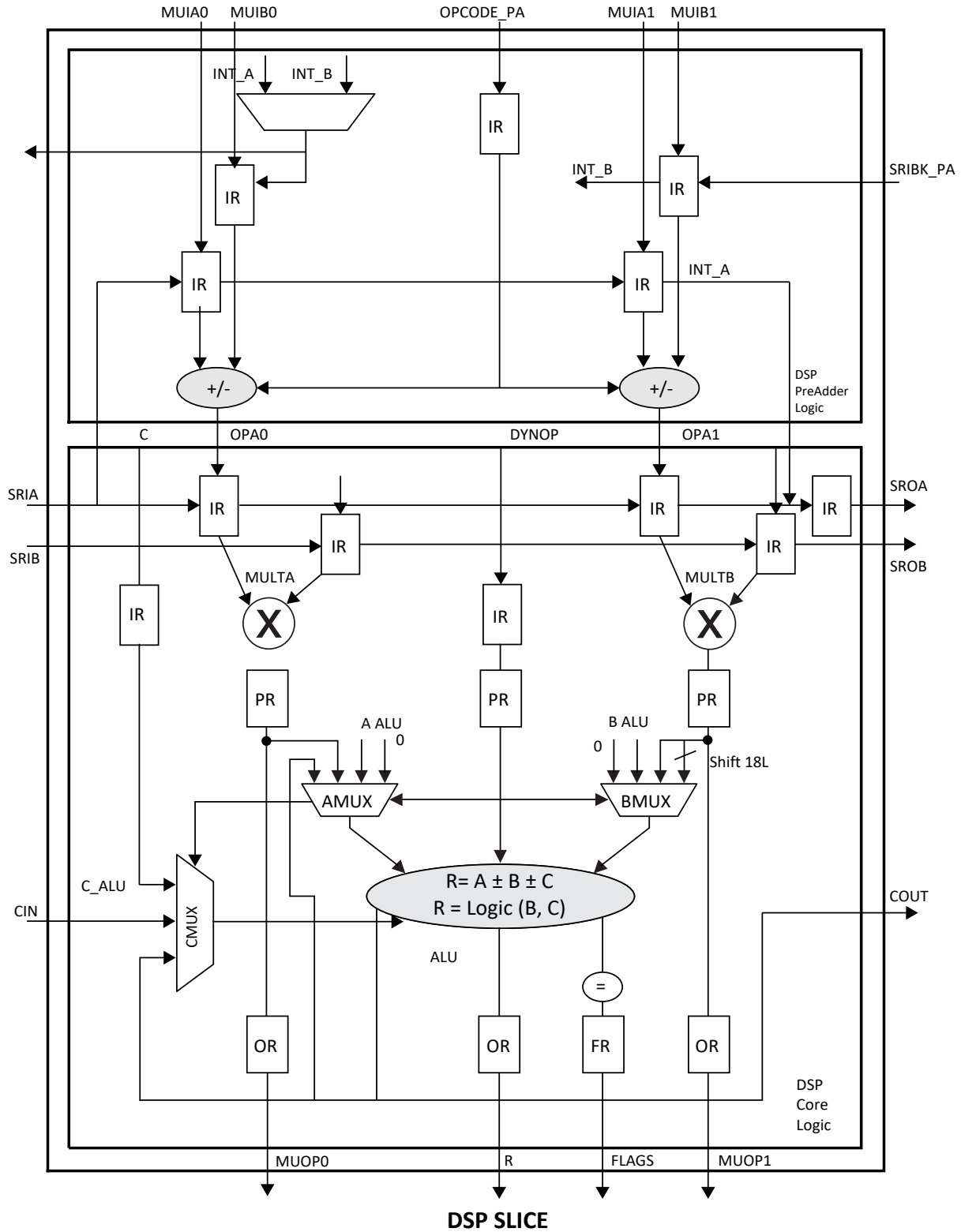


Figure 2.15. Detailed sysDSP Slice Diagram



In [Figure 2.15](#), note that A\_ALU, B\_ALU, and C\_ALU are internal signals generated by combining bits from AA, AB, BA, BB, and C inputs. For further information, refer to [ECP5 and ECP5-5G sysDSP Usage Guide \(FPGA-TN-02205\)](#).

The ECP5/ECP5-5G sysDSP block supports the following basic elements.

- MULT (Multiply)
- MAC (Multiply, Accumulate)
- MULTADDSUB (Multiply, Addition/Subtraction)
- MULTADDSUBSUM (Multiply, Addition/Subtraction, Summation)

[Table 2.7](#) shows the capabilities of each of the ECP5/ECP5-5G slices versus the above functions.

**Table 2.7. Maximum Number of Elements in a Slice**

Width of Multiply	x9	x18	x36
MULT	4	2	1/2
MAC	1	1	—
MULTADDSUB	2	1	—
MULTADDSUBSUM	*	*	—

**\*Note:** Two slices are required for two m9x9addsubsum, and two slices are required for one m18x18addsubsum.

Some options are available in the four elements. The input register in all the elements can be directly loaded or can be loaded as a shift register from previous operand registers. By selecting *dynamic operation*, the following operations are possible:

- In the Add/Sub option the Accumulator can be switched between addition and subtraction on every cycle.
- The loading of operands can switch between parallel and serial operations.

For further information, refer to [ECP5 and ECP5-5G sysDSP Usage Guide \(FPGA-TN-02205\)](#).

## 2.10. Programmable I/O Cells

The programmable logic associated with an I/O is called a PIO. The individual PIO are connected to their respective sysI/O buffers and pads. On the ECP5/ECP5-5G devices, the Programmable I/O cells (PIC) are assembled into groups of four PIO cells called a Programmable I/O Cell or PIC. The PICs are placed on all four sides of the device.

On all the ECP5/ECP5-5G devices, two adjacent PIOs can be combined to provide a complementary output driver pair. All PIO pairs can implement differential receivers. Half of the PIO pairs on the left and right edges of these devices can be configured as true LVDS transmit pairs.

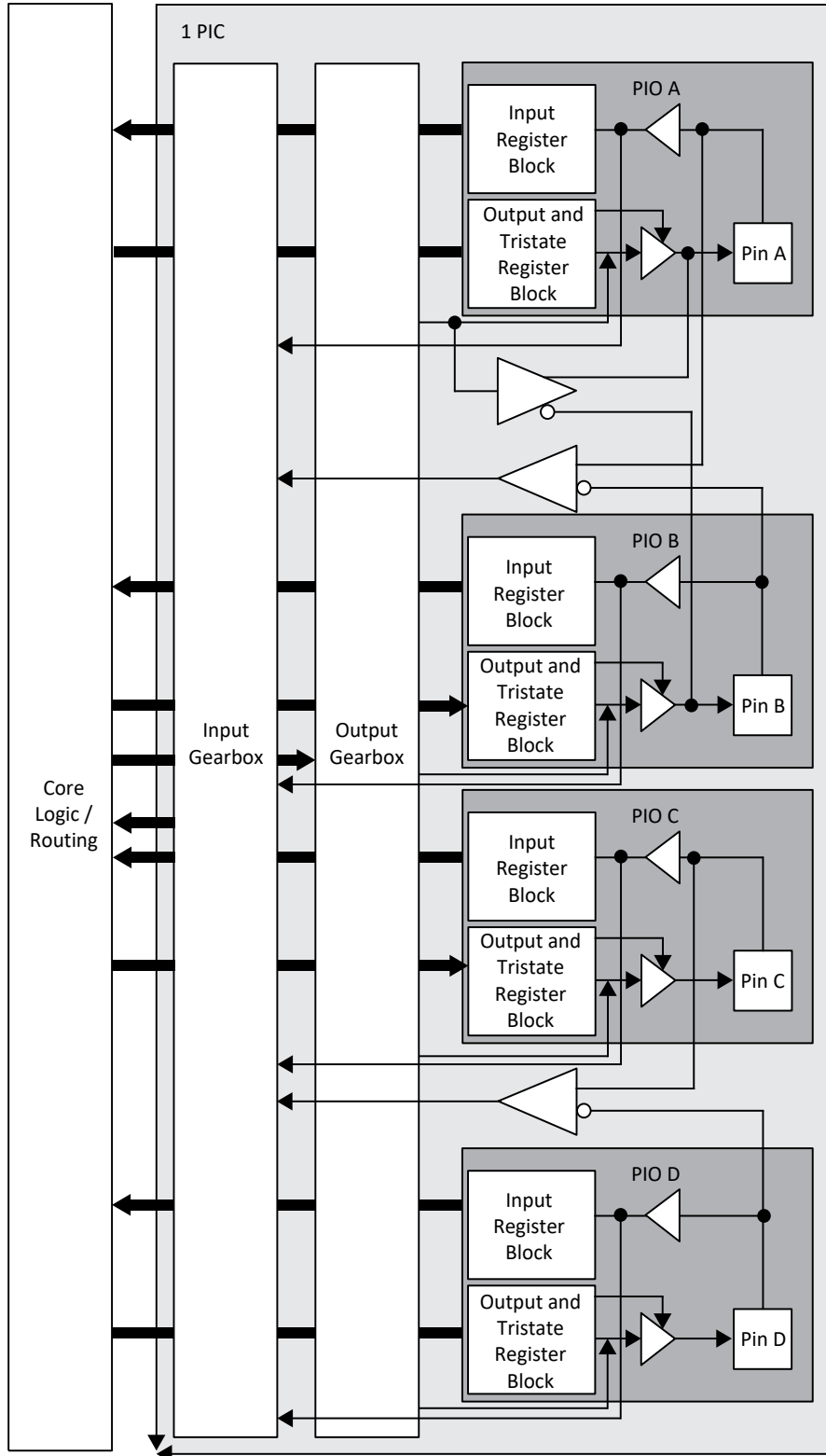


Figure 2.16. Group of Four Programmable I/O Cells on Left/Right Sides

## 2.11. PIO

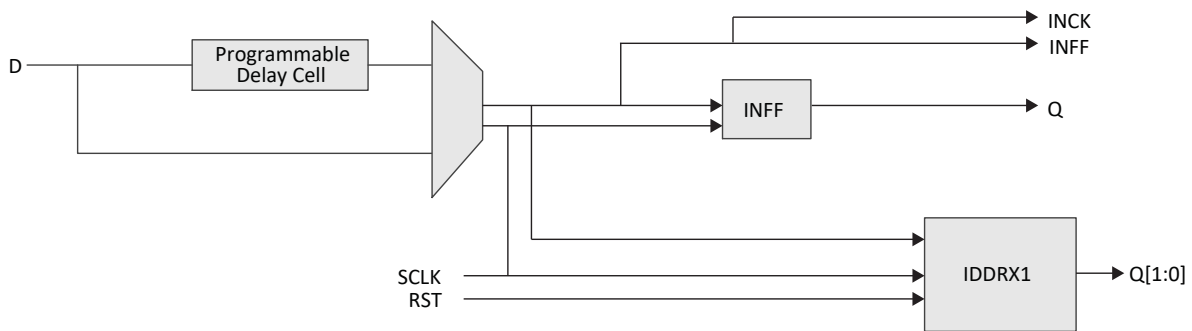
The PIO contains three blocks: an input register block, output register block, and tri-state register block. These blocks contain registers for operating in a variety of modes along with the necessary clock and selection logic.

### 2.11.1. Input Register Block

The input register blocks for the PIOs on all edges contain delay elements and registers that can be used to condition high-speed interface signals before they are passed to the device core. In addition, the input register blocks for the PIOs on the left and right edges include built-in FIFO logic to interface to DDR and LPDDR memory.

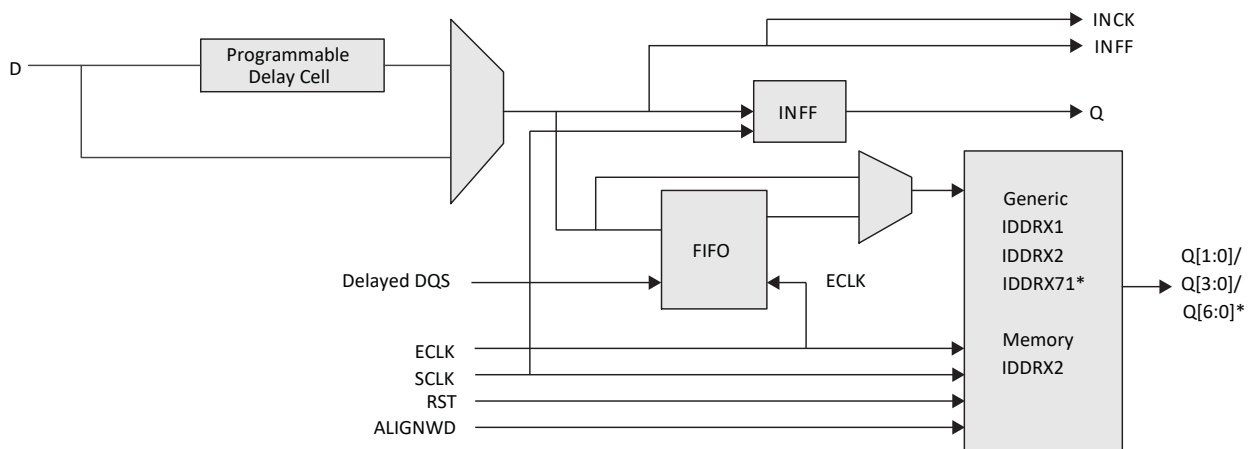
The Input register block on the right and left sides includes gearing logic and registers to implement IDDRX1 and IDDRX2 functions. With two PICs sharing the DDR register path, it can also implement IDDRX71 function used for 7:1 LVDS interfaces. It uses three sets of registers to shift, update, and transfer to implement gearing and the clock domain transfer. The first stage registers samples the high-speed input data by the high-speed edge clock on its rising and falling edges. The second stage registers perform data alignment based on the control signals. The third stage pipeline registers pass the data to the device core synchronized to the low-speed system clock. The top side of the device supports IDDRX1 gearing function. For more information on gearing function, refer to [ECP5 and ECP5-5G High-Speed I/O Interface \(FPGA-TN-02035\)](#).

Figure 2.17 shows the input register block for the PIOs on the top edge.



**Figure 2.17. Input Register Block for PIO on Top Side of the Device**

Figure 2.18 shows the input register block for the PIOs located on the left and right edges.



\*For 7:1 LVDS interface only. It is required to use PIO pair pins (PIOA/B or PIOC/D).

**Figure 2.18. Input Register Block for PIO on Left and Right Side of the Device**

### 2.11.1.1. Input FIFO

The ECP5/ECP5-5G PIO has dedicated input FIFO per single-ended pin for input data register for DDR Memory interfaces. The FIFO resides before the gearing logic. It transfers data from DQS domain to continuous ECLK domain. On the Write side of the FIFO, it is clocked by DQS clock which is the delayed version of the DQS Strobe signal from DDR memory. On the Read side of FIFO, it is clocked by ECLK. ECLK may be any high-speed clock with identical frequency as DQS (the frequency of the memory chip). Each DQS group has one FIFO control block. It distributes FIFO read/write pointer to every PIC in same DQS group. DQS Grouping and DQS Control Block is described in [DDR Memory Support](#) section.

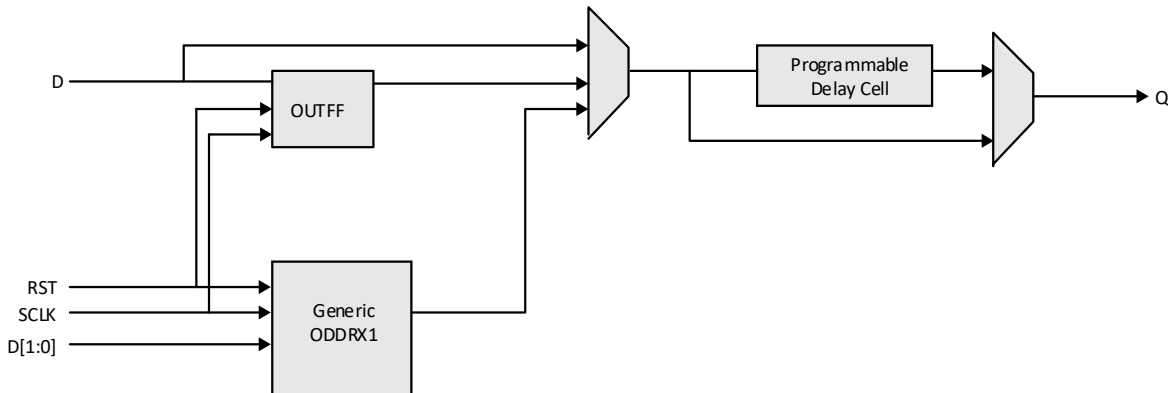
**Table 2.8. Input Block Port Description**

Name	Type	Description
D	Input	High Speed Data Input
Q[1:0]/Q[3:0]/Q[6:0]	Output	Low Speed Data to the device core
RST	Input	Reset to the Output Block
SCLK	Input	Slow Speed System Clock
ECLK	Input	High Speed Edge Clock
DQS	Input	Clock from DQS control Block used to clock DDR memory data
ALIGNWD	Input	Data Alignment signal from device core

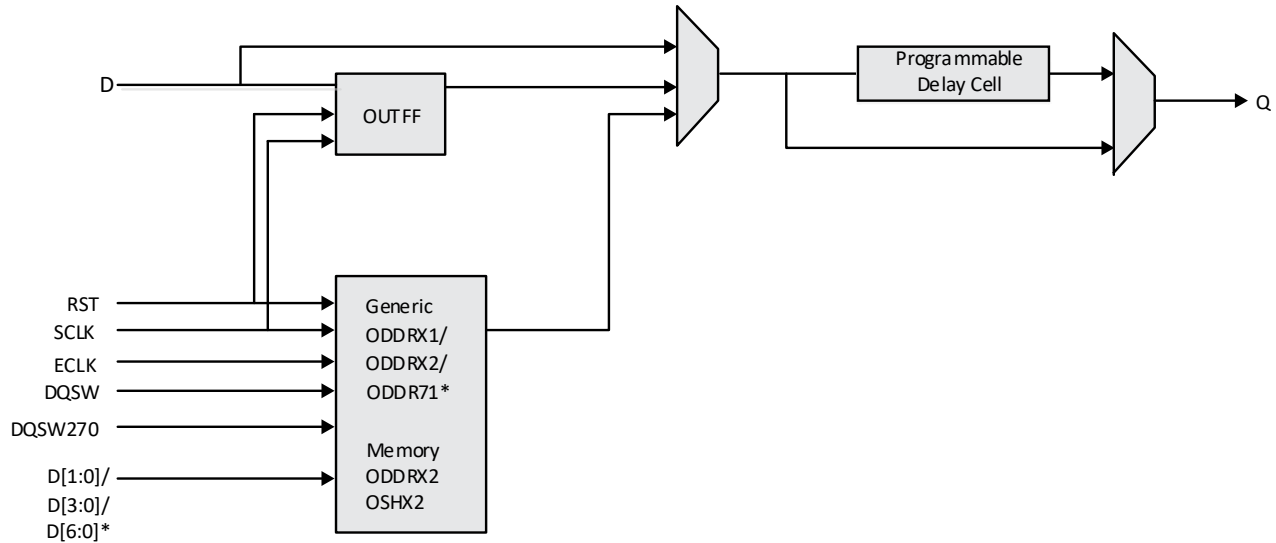
### 2.11.2. Output Register Block

The output register block registers signals from the core of the device before they are passed to the sysI/O buffers. ECP5/ECP5-5G output data path has output programmable flip flops and output gearing logic. On the left and right sides, the output register block can support 1x, 2x, and 7:1 gearing enabling high speed DDR interfaces and DDR memory interfaces. On the top side, the banks support 1x gearing. ECP5/ECP5-5G output data path diagram is shown in [Figure 2.19](#). The programmable delay cells are also available in the output data path.

For detailed description of the output register block modes and usage, refer to [ECP5 and ECP5-5G High-Speed I/O Interface \(FPGA-TN-02035\)](#).



**Figure 2.19. Output Register Block on Top Side**



\*For 7:1 LVDS interface only. It is required to use PIO pair pins PIOA/B.

**Figure 2.20. Output Register Block on Left and Right Sides**

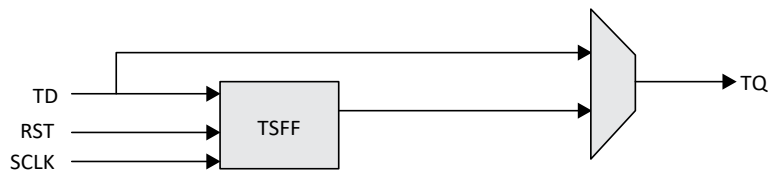
**Table 2.9. Output Block Port Description**

Name	Type	Description
Q	Output	High Speed Data Output
D	Input	Data from core to output SDR register
D[1:0]/D[3:0]/ D[6:0]	Input	Low Speed Data from device core to output DDR register
RST	Input	Reset to the Output Block
SCLK	Input	Slow Speed System Clock
ECLK	Input	High Speed Edge Clock
DQSW	Input	Clock from DQS control Block used to generate DDR memory DQS output
DQSW270	Input	Clock from DQS control Block used to generate DDR memory DQ output

## 2.12. Tri-state Register Block

The tri-state register block registers tri-state control signals from the device core before they are passed to the sysI/O buffers. The block contains a register for SDR operation. In SDR, TD input feeds one of the flip-flops that then feeds the output. In DDR, operation used mainly for DDR memory interface can be implemented on the left and right sides of the device. Here two inputs feed the tri-state registers clocked by both ECLK and SCLK.

Figure 2.21 and Figure 2.22 show the Tri-state Register Block functions on the device. For detailed description of the tri-state register block modes and usage, refer to [ECP5 and ECP5-5G High-Speed I/O Interface \(FPGA-TN-02035\)](#).



**Figure 2.21. Tri-state Register Block on Top Side**

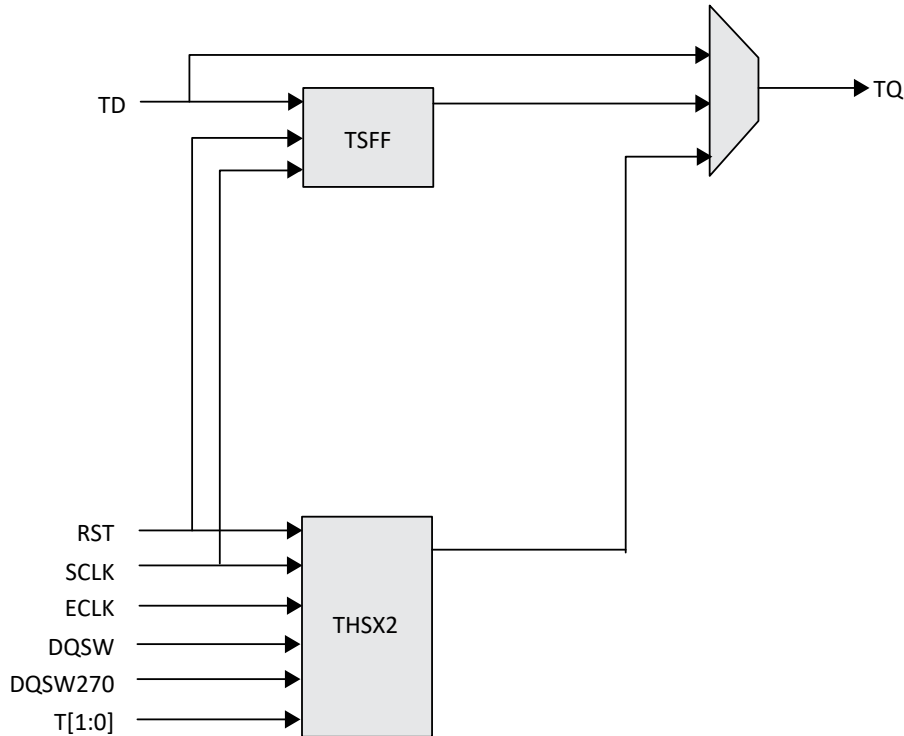


Figure 2.22. Tri-state Register Block on Left and Right Sides

Table 2.10. Tri-state Block Port Description

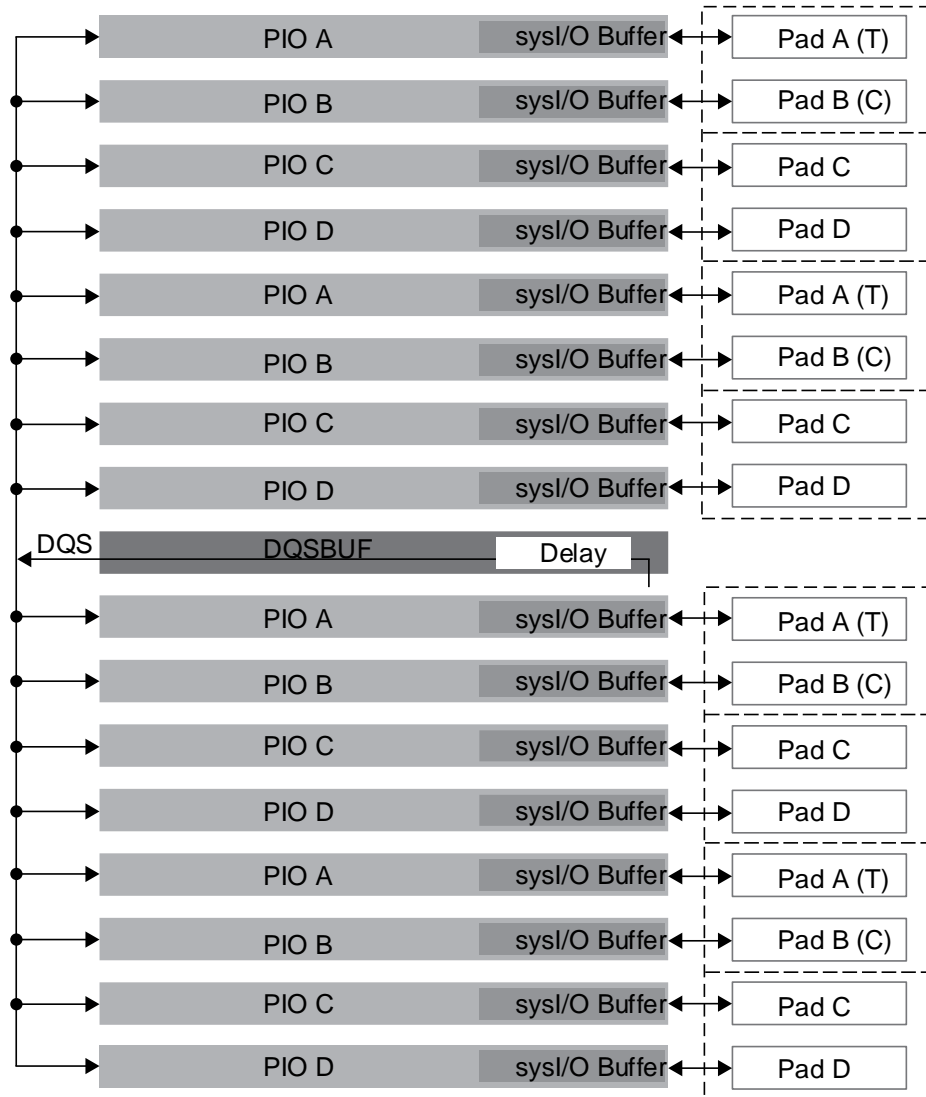
Name	Type	Description
TD	Input	Tri-state Input to Tri-state SDR Register
RST	Input	Reset to the Tri-state Block
TD[1:0]	Input	Tri-state input to TSHX2 function
SCLK	Input	Slow Speed System Clock
ECLK	Input	High Speed Edge Clock
DQSW	Input	Clock from DQS control Block used to generate DDR memory DQS output
DQSW270	Input	Clock from DQS control Block used to generate DDR memory DQ output
TQ	Output	Output of the Tri-state block

## 2.13. DDR Memory Support

### 2.13.1. DQS Grouping for DDR Memory

Certain PICs have additional circuitry to allow the implementation of high-speed source synchronous and DDR2, DDR3, LPDDR2, or LPDDR3 memory interfaces. The support varies by the edge of the device as detailed below.

The left and right sides of the PIC have fully functional elements supporting DDR2, DDR3, LPDDR2, or LPDDR3 memory interfaces. Every 16 PIOs on the left and right sides are grouped into one DQS group, as shown in Figure 2.23. Within each DQS group, there are two pre-placed pins for DQS and DQS# signals. The rest of the pins in the DQS group can be used as DQ signals and DM signal. The number of pins in each DQS group bonded out is package dependent. DQS groups with less than 11 pins bonded out can only be used for LPDDR2/3 Command/Address busses. In DQS groups with more than 11 pins bonded out, up to two pre-defined pins are assigned to be used as *virtual* V<sub>CCIO</sub>, by driving these pins to HIGH, with the user connecting these pins to V<sub>CCIO</sub> power supply. These connections create *soft* connections to V<sub>CCIO</sub> through these output pins, and make better connections on V<sub>CCIO</sub> to help reduce SSO noise. For details, refer to [ECP5 and ECP5-5G High-Speed I/O Interface \(FPGA-TN-02035\)](#).



**Figure 2.23. DQS Grouping on the Left and Right Edges**

### 2.13.2. DLL Calibrated DQS Delay and Control Block (DQSBUF)

To support DDR memory interfaces (DDR2/3, LPDDR2/3), the DQS strobe signal from the memory must be used to capture the data (DQ) in the PIC registers during memory reads. This signal is output from the DDR memory device aligned to data transitions and must be time shifted before it can be used to capture data in the PIC. This time shifted is achieved by using DQSDEL programmable delay line in the DQS Delay Block (DQS read circuit). The DQSDEL is implemented as a slave delay line and works in conjunction with a master DDRDLL.

This block also includes slave delay line to generate delayed clocks used in the write side to generate DQ and DQS with correct phases within one DQS group. There is a third delay line inside this block used to provide write leveling feature for DDR write if needed.

Each of the read and write side delays can be dynamically shifted using margin control signals that can be controlled by the core logic.

FIFO Control Block shown in [Figure 2.24](#) generates the Read and Write Pointers for the FIFO block inside the Input Register Block. These pointers are generated to control the DQS to ECLK domain crossing using the FIFO module.

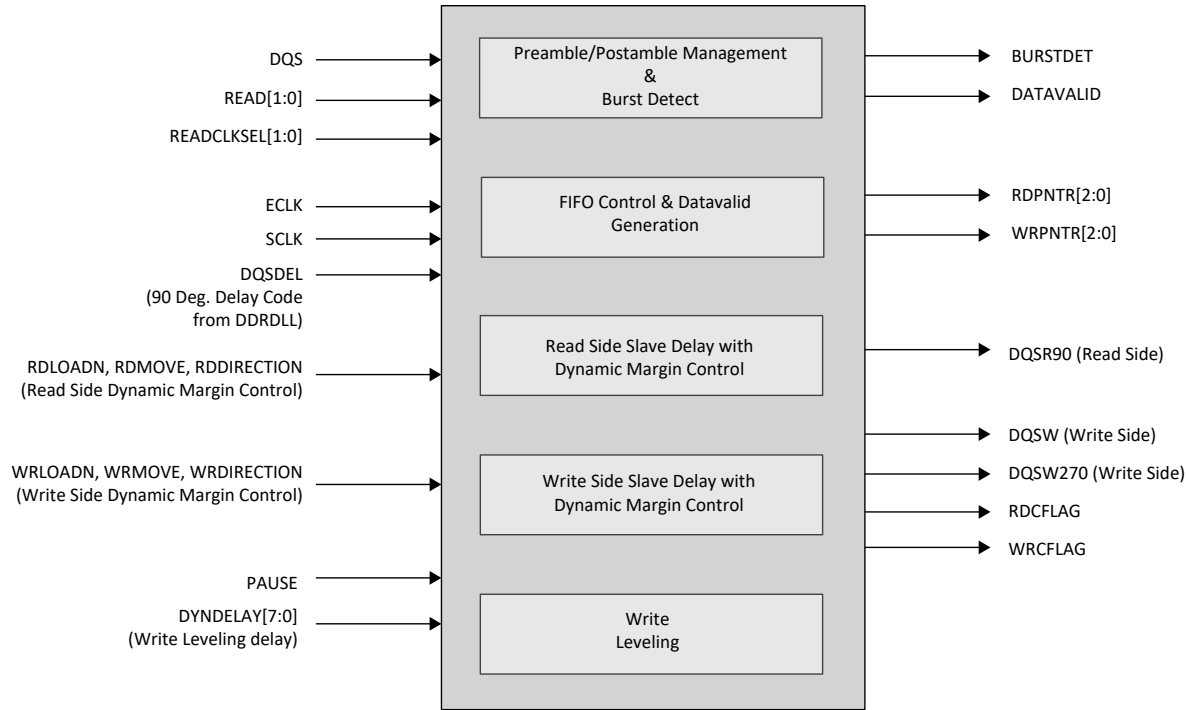


Figure 2.24. DQS Control and Delay Block (DQSBUF)

Table 2.11. DQSBUF Port List Description

Name	Type	Description
DQS	Input	DDR memory DQS strobe
READ[1:0]	Input	Read Input from DDR Controller
READCLKSEL[1:0]	Input	Read pulse selection
SCLK	Input	Slow System Clock
ECLK	Input	High Speed Edge Clock (same frequency as DDR memory)
DQSDEL	Input	90° Delay Code from DDRDLL
RDLOADN, RDMOVE, RDDIRECTION	Input	Dynamic Margin Control ports for Read delay
WRLOADN, WRMOVE, WRDIRECTION	Input	Dynamic Margin Control ports for Write delay
PAUSE	Input	Used by DDR Controller to Pause write side signals during DDRDLL Code update or Write Leveling
DYNDELAY[7:0]	Input	Dynamic Write Leveling Delay Control
DQSR90	Output	90° delay DQS used for Read
DQSW270	Output	90° delay clock used for DQ Write
DQSW	Output	Clock used for DQS Write
RDPNTR[2:0]	Output	Read Pointer for IFIFO module
WRPNTR[2:0]	Output	Write Pointer for IFIFO module
DATAVALID	Output	Signal indicating start of valid data
BURSTDET	Output	Burst Detect indicator
RDFLAG	Output	Read Dynamic Margin Control output to indicate max value
WRFLAG	Output	Write Dynamic Margin Control output to indicate max value



## 2.14. sysI/O Buffer

Each I/O is associated with a flexible buffer referred to as a sysI/O buffer. These buffers are arranged around the periphery of the device in groups referred to as banks. The sysI/O buffers allow you to implement the wide variety of standards that are found in today's systems including LVDS, HSUL, BLVDS, SSTL Class I and II, LVCMOS, LVTTTL, LVPECL, and MIPI.

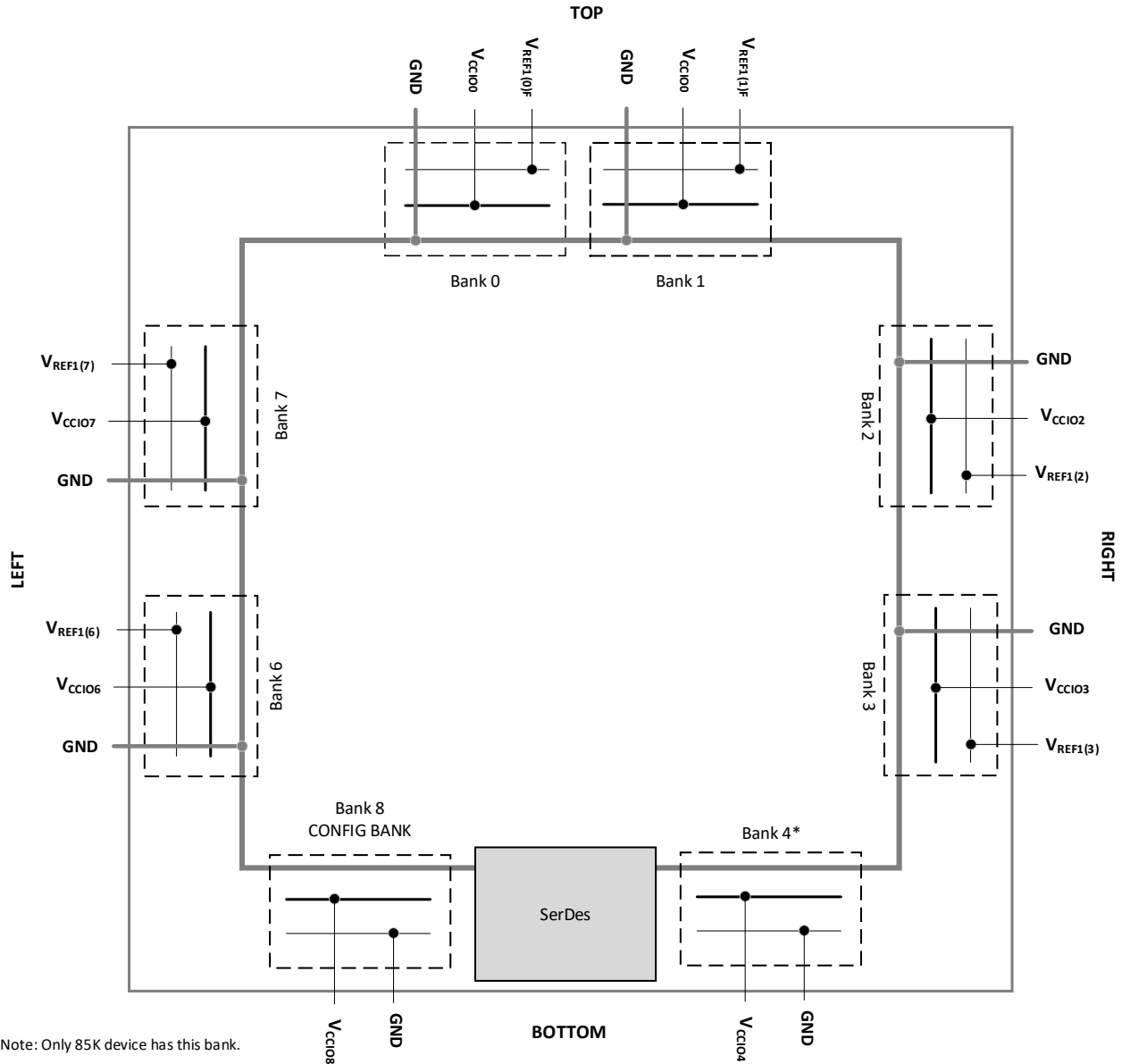
### 2.14.1. sysI/O Buffer Banks

ECP5/ECP5-5G devices have seven sysI/O buffer banks, two banks per side at Top, Left and Right, plus one at the bottom left side. The bottom left side bank (Bank 8) is a shared I/O bank. The I/O in that bank contains both dedicated and shared I/O for sysConfig function. When a shared pin is not used for configuration, it is available as a user I/O. For LFE5-85 devices, there is an additional I/O bank (Bank 4) that is not available in other device in the family.

In ECP5/ECP5-5G devices, the Left and Right sides are tailored to support high performance interfaces, such as DDR2, DDR3, LPDDR2, LPDDR3 and other high speed source synchronous standards. The banks on the Left and Right sides of the devices feature LVDS input and output buffers, data-width gearing, and DQSBUF block to support DDR2/3 and LPDDR2/3 interfaces. The I/O on the top and bottom banks do not have LVDS input and output buffer, and gearing logic, but can use LVCMOS to emulate most of differential output signaling.

Each sysI/O bank has its own I/O supply voltage ( $V_{CCIO}$ ). In addition, the banks on the Left and Right sides of the device, have voltage reference input (shared I/O pin),  $V_{REF1}$  per bank, which allow it to be completely independent of each other. The  $V_{REF}$  voltage is used to set the threshold for the referenced input buffers, such as SSTL. [Figure 2.25](#) shows the seven banks and their associated supplies.

In ECP5/ECP5-5G devices, single-ended output buffers and ratioed input buffers (LVTTTL and LVCMOS) are powered using  $V_{CCIO}$ . LVTTTL, LVCMOS33, LVCMOS25, and LVCMOS12 can also be set as fixed threshold inputs independent of  $V_{CCIO}$ .



\*Note: Only 85K device has this bank.

**Figure 2.25. ECP5/ECP5-5G Device Family Banks**

ECP5/ECP5-5G devices contain two types of sysI/O buffer pairs:

**1. Top (Bank 0 and Bank 1) and Bottom (Bank 8 and Bank 4) sysI/O Buffer Pairs (Single-Ended Only)**

The sysI/O buffers in the Banks at top and bottom of the device consist of ratioed single-ended output drivers and single-ended input buffers. The I/O in these banks are not usually used as a pair, except when used as emulated differential output pair. They are used as individual I/O and be configured as different I/O modes, as long as they are compatible with the V<sub>CCIO</sub> voltage in the bank. When used as emulated differential outputs, the pair can be used together.

The top and bottom side I/O also support hot socketing. They support I/O standards from 3.3 V to 1.2 V. They are ideal for general purpose I/O, or as ADDR/CMD bus for DDR2/DDR3 applications, or for used as emulated differential signaling.

Bank 4 I/O only exists in the LFE5-85 device.

Bank 8 is a bottom bank that shares with sysConfig I/O. During configuration, these I/Os are used for programming the device. Once the configuration is completed, these I/Os can be released and users can use these I/Os for functional signals in their designs.

The top and bottom side pads can be identified by the Lattice Diamond tool.

## 2. Left and Right (Bank 2, Bank 3, Bank 6, and Bank 7) sysI/O Buffer Pairs (50% Differential and 100% Single-Ended Outputs)

The sysI/O buffer pairs in the left and right banks of the device consist of two single-ended output drivers, two single-ended input buffers (both ratioed and referenced) and half of the sysI/O buffer pairs (PIOA/B pairs) also has a high-speed differential output driver. One of the referenced input buffers can also be configured as a differential input. In these banks the two pads in the pair are described as *true* and *comp*, where the true pad is associated with the positive side of the differential I/O, and the comp (complementary) pad is associated with the negative side of the differential I/O.

In addition, programmable on-chip input termination (parallel or differential, static or dynamic) is supported on these sides, which is required for DDR3 interface. However, there is no support for hot-socketing for the I/O pins located on the left and right side of the device as the PCI clamp is always enabled on these pins.

LVDS differential output drivers are available on 50% of the buffer pairs on the left and right banks.

### 2.14.2. Typical sysI/O I/O Behavior during Power-up

The internal Power-On-Reset (POR) signal is deactivated when  $V_{CC}$ ,  $V_{CCIO8}$  and  $V_{CCAUX}$  have reached satisfactory levels. After the POR signal is deactivated, the FPGA core logic becomes active. It is your responsibility to ensure that all other  $V_{CCIO}$  banks are active with valid input logic levels to properly control the output logic states of all the I/O banks that are critical to the application. For more information about controlling the output logic state with valid input logic levels during power-up in ECP5/ECP5-5G devices, see the list of technical documentation in the [Supplemental Information](#) section.

The  $V_{CC}$  and  $V_{CCAUX}$  supply the power to the FPGA core fabric, whereas the  $V_{CCIO}$  supplies power to the I/O buffers. In order to simplify system design while providing consistent and predictable I/O behavior, it is recommended that the I/O buffers be powered-up prior to the FPGA core fabric.  $V_{CCIO}$  supplies should be powered-up before or together with the  $V_{CC}$  and  $V_{CCAUX}$  supplies.

### 2.14.3. Supported sysI/O Standards

The ECP5/ECP5-5G sysI/O buffer supports both single-ended and differential standards. Single-ended standards can be further subdivided into LVCMOS, LVTTTL, and other standards. The buffers support the LVTTTL, LVCMOS 1.2 V, 1.5 V, 1.8V, 2.5 V and 3.3 V standards. In the LVCMOS and LVTTTL modes, the buffer has individual configuration options for drive strength, slew rates, bus maintenance (weak pull-up or weak pull-down), and open drain. Other single-ended standards supported include SSTL and HSUL. Differential standards supported include LVDS, differential SSTL and differential HSUL. For further information on utilizing the sysI/O buffer to support a variety of standards, refer to [ECP5 and ECP5-5G sysI/O Usage Guide \(FPGA-TN-02032\)](#).

### 2.14.4. On-Chip Programmable Termination

The ECP5/ECP5-5G devices support a variety of programmable on-chip terminations options, including:

- Dynamically switchable Single-Ended Termination with programmable resistor values of 50  $\Omega$ , 75  $\Omega$ , or 150  $\Omega$ .
- Common mode termination of 100  $\Omega$  for differential inputs.

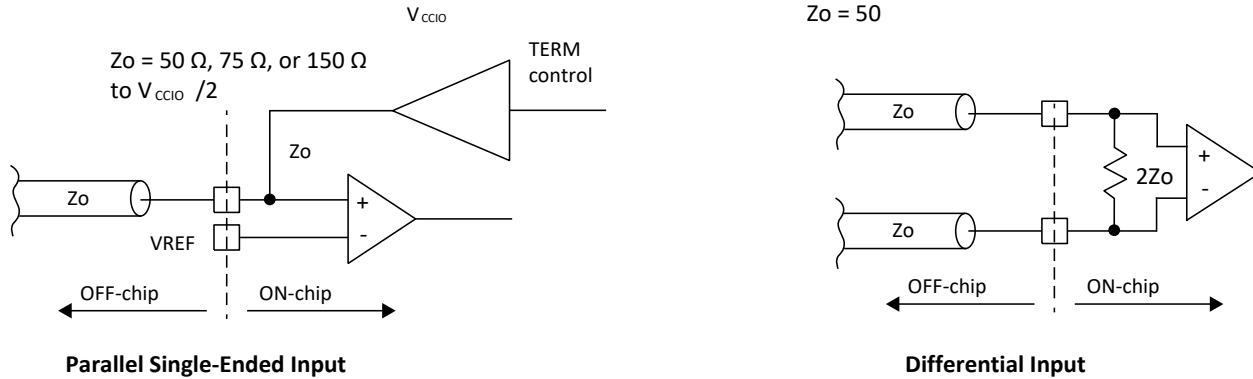


Figure 2.26. On-Chip Termination

See Table 2.12 for termination options for input modes.

Table 2.12. On-Chip Termination Options for Input Modes

IO_TYPE	Terminate to $V_{CCIO}/20^{1,2}$	Differential Termination Resistor <sup>1,2</sup>
LVDS25	—	100
BLVDS25	—	100
MLVDS	—	100
LVPECL33	—	100
subLVDS	—	100
SLVS	—	100
HSUL12	50, 75, 150	—
HSUL12D	—	100
SSTL135_I / II	50, 75, 150	—
SSTL135D_I / II	—	100
SSTL15_I / II	50, 75, 150	—
SSTL15D_I / II	—	100
SSTL18_I / II	50, 75, 150	—
SSTL18D_I / II	—	100

**Notes:**

1. TERMINATE to  $V_{CCIO}/2$  (Single-Ended) and DIFFERENTIAL TERMINATION RESISTOR when turned on can only have one setting per bank. Only left and right banks have this feature.
2. Use of TERMINATE to  $V_{CCIO}/2$  and DIFFERENTIAL TERMINATION RESISTOR are mutually exclusive in an I/O bank. On-chip termination tolerance  $\pm 20\%$ .

Refer to [ECP5 and ECP5-5G sys/I/O Usage Guide \(FPGA-TN-02032\)](#) for on-chip termination usage and value ranges.

### 2.14.5. Hot Socketing

ECP5/ECP5-5G devices have been carefully designed to ensure predictable behavior during power-up and power-down. During power-up and power-down sequences, the I/O remain in tri-state until the power supply voltage is high enough to ensure reliable operation. In addition, leakage into I/O pins is controlled within specified limits. See the [Hot Socketing Specifications](#) section.

## 2.15. SerDes and Physical Coding Sublayer

LFE5UM/LFE5UM5G devices feature up to four channels of embedded SerDes/PCS arranged in dual-channel blocks at the bottom of the devices. Each channel supports up to 3.2 Gb/s (ECP5), or up to 5 Gb/s (ECP5-5G) data rate.

[Figure 2.27](#) shows the position of the dual blocks for the LFE5-85. [Table 2.13](#) shows the location of available SerDes Duals for all devices. The LFE5UM/LFE5UM5G SerDes/PCS supports a range of popular serial protocols, including:

- PCI Express Gen1 and Gen2 (2.5 Gb/s) on ECP5UM; Gen1, Gen2 (2.5 Gb/s and 5 Gb/s) on ECP5-5G
- Ethernet (XAUI, GbE – 1000 Base CS/SX/LX and SGMII)
- SMPTE SDI (3G-SDI, HD-SDI, SD-SDI)
- CPRI (E.6.LV: 614.4 Mb/s, E.12.LV: 1228.8 Mb/s, E.24.LV: 2457.6 Mb/s, E.30.LV: 3072 Mb/s), also E.48.LV2:4915 Mb/s in ECP5-5G
- JESD204A/B – ADC and DAC converter interface: 312.5 Mb/s to 3.125 Gb/s (ECP5) / 5 Gb/s (ECP5-5G)

Each dual contains two dedicated SerDes for high speed, full duplex serial data transfer. Each dual also has a PCS block that interfaces to the SerDes channels and contains protocol specific digital logic to support the standards listed above. The PCS block also contains interface logic to the FPGA fabric. All PCS logic for dedicated protocol support can also be bypassed to allow raw 8-bit or 10-bit interfaces to the FPGA fabric.

Even though the SerDes/PCS blocks are arranged in duals, multiple baud rates can be supported within a dual with the use of dedicated, per channel /1, /2 and /11 rate dividers. Additionally, two duals can be arranged together to form x4 channel link.

ECP5UM devices and ECP5-5G devices are pin-to-pin compatible. But, the ECP5UM devices require 1.1 V on  $V_{CCA}$ ,  $V_{CCHRX}$  and  $V_{CCHTX}$  supplies. ECP5-5G devices require 1.2 V on these supplies. When designing either family device with migration in mind, these supplies need to be connected such that it is possible to adjust the voltage level on these supplies.

When using a single channel on a DCU, it is advised to connect the  $V_{CCA}$  of unused channel to  $V_{CC}$  core power supply, or to a different regulated supply if the channel may be used in the future.

For an unused channel in a Dual, it is advised to connect the  $V_{CCHTX}$  to  $V_{CCA}$ , and you can leave  $V_{CCHRX}$  unconnected.

For information on how to use the SerDes/PCS blocks to support specific protocols, as well on how to combine multiple protocols and baud rates within a device, refer to [ECP5 and ECP5-5G SerDes/PCS Usage Guide \(FPGA-TN-02206\)](#).

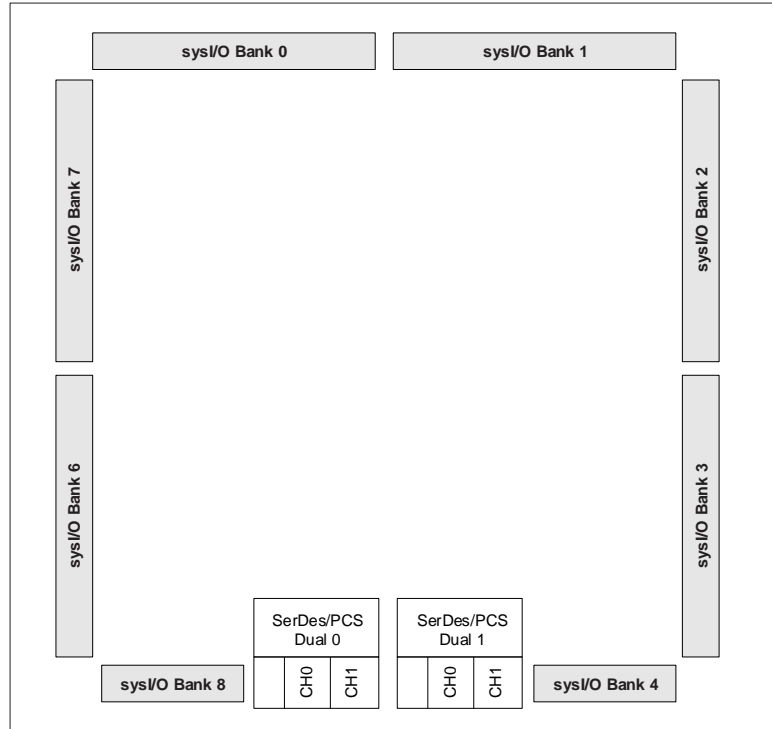


Figure 2.27. SerDes/PCS Duals (LFE5UM/LFE5UM5G-85)

Table 2.13. LFE5UM/LFE5UM5G SerDes Standard Support

Standard	Data Rate (Mb/s)	Number of General/Link Width	Encoding Style
PCI Express 1.1 and 2.0	2500	x1, x2, x4	8b10b
	5000 <sup>2</sup>	x1, x2	8b10b
Gigabit Ethernet	1250	x1	8b10b
SGMII	1250	x1	8b10b
	2500	x1	8b10b
XAUI	3125	x4	8b10b
CPRI-1	614.4	x1, x2, x4	8b10b
CPRI-2	1228.8	x1	8b10b
CPRI-3	2457.6		
CPRI-4	3072.0		
CPRI-5	4915.2 <sup>2</sup>		
SD-SDI (259M, 344M) <sup>1</sup>	270		
HD-SDI (292M)	1483.5	x1	NRZI/Scrambled
	1485		
3G-SDI (424M)	2967	x1	NRZI/Scrambled
	2970		
	5000 <sup>2</sup>		
JESD204A/B	312.5-3125	x1	8b/10b
	5000 <sup>2</sup>		

**Notes:**

- For SD-SDI rate, the SerDes is bypassed and SerDes input signals are directly connected to the FPGA routing.
- For ECP5-5G family devices only.

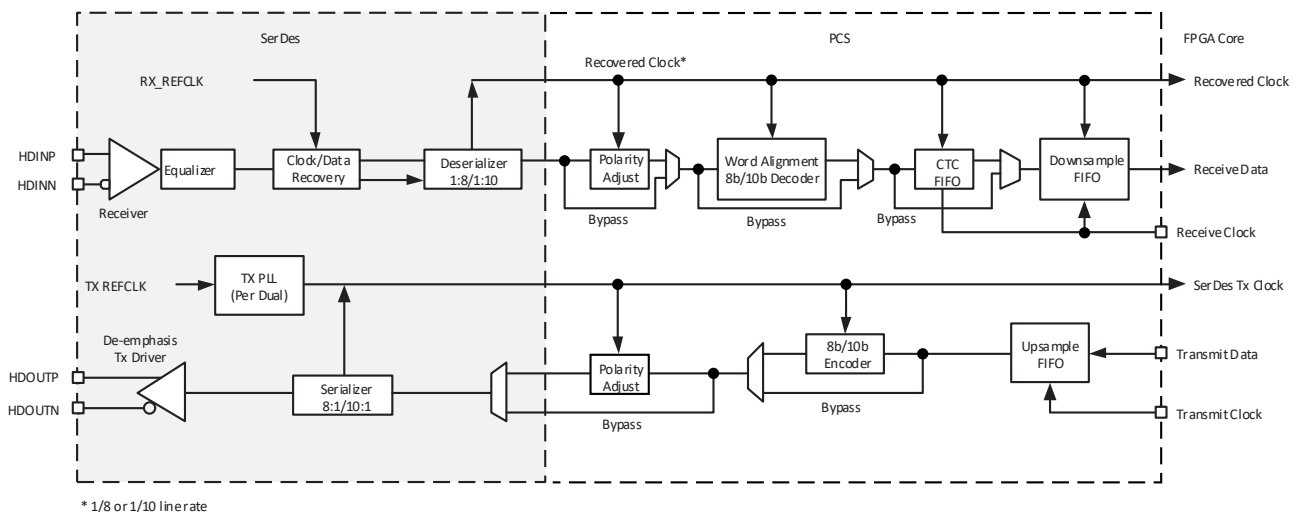
**Table 2.14. Available SerDes Duals per LFE5UM/LFE5UM5G Devices**

Package	LFE5UM/LFE5UM5G-25	LFE5UM/LFE5UM5G-45	LFE5UM/LFE5UM5G-85
285 csfBGA	1	1	1
381 caBGA	1	2	2
554 caBGA	—	2	2
756 caBGA	—	—	2

### 2.15.1. SerDes Block

A SerDes receiver channel may receive the serial differential data stream, equalize the signal, perform Clock and Data Recovery (CDR) and de-serialize the data stream before passing the 8- or 10-bit data to the PCS logic. The SerDes transmitter channel may receive the parallel 8- or 10-bit data, serialize the data and transmit the serial bit stream through the differential drivers. [Figure 2.28](#) shows a single-channel SerDes/PCS block. Each SerDes channel provides a recovered clock and a SerDes transmit clock to the PCS block and to the FPGA core logic.

Each transmit channel, receiver channel, and SerDes PLL shares the same power supply ( $V_{CCA}$ ). The output and input buffers of each channel have their own independent power supplies ( $V_{CCHTX}$  and  $V_{CCHRX}$ ).



**Figure 2.28. Simplified Channel Block Diagram for SerDes/PCS Block**

### 2.15.2. PCS

As shown in [Figure 2.28](#), the PCS receives the parallel digital data from the deserializer and selects the polarity, performs word alignment, decodes (8b/10b), provides Clock Tolerance Compensation and transfers the clock domain from the recovered clock to the FPGA clock via the Down Sample FIFO.

For the transmit channel, the PCS block receives the parallel data from the FPGA core, encodes it with 8b/10b, selects the polarity and passes the 8/10-bit data to the transmit SerDes channel.

The PCS also provides bypass modes that allow a direct 8-bit or 10-bit interface from the SerDes to the FPGA logic. The PCS interface to the FPGA can also be programmed to run at 1/2 speed for a 16-bit or 20-bit interface to the FPGA logic.

Some of the enhancements in LFE5UM/LFE5UM5G SerDes/PCS include:

- Higher clock/channel granularity: Dual channel architecture provides more clock resource per channel.
- Enhanced Tx de-emphasis: Programmable pre- and post-cursors improves Tx output signaling
- Bit-slip function in PCS: Improves logic needed to perform Word Alignment function

Refer to [ECP5 and ECP5-5G SerDes/PCS Usage Guide \(FPGA-TN-02206\)](#) for more information.

### 2.15.3. SerDes Client Interface Bus

The SerDes Client Interface (SCI) is an IP interface that allows user to change the configuration thru this interface. This is useful when the user need to fine-tune some settings, such as input and output buffer that need to be optimized based on the channel characteristics. It is a simple register configuration interface that allows SerDes/PCS configuration without power cycling the device.

The Diamond design tools support all modes of the PCS. Most modes are dedicated to applications associated with a specific industry standard data protocol. Other more general purpose modes allow you to define their own operation. With these tools, you can define the mode for each dual in a design.

Popular standards such as 10 Gb Ethernet, x4 PCI Express and 4x Serial RapidIO can be implemented using IP (available through Lattice), with two duals (Four SerDes channels and PCS) and some additional logic from the core.

The LFE5UM/LFE5UM5G devices support a wide range of protocols. Within the same dual, the LFE5UM/ LFE5UM5G devices support mixed protocols with semi-independent clocking as long as the required clock frequencies are integer x1, x2, or x11 multiples of each other. [Table 2.15](#) lists the allowable combination of primary and secondary protocol combinations.

## 2.16. Flexible Dual SerDes Architecture

The LFE5UM/LFE5UM5G SerDes architecture is a dual channel-based architecture. For most SerDes settings and standards, the whole dual (consisting of two SerDes channels) is treated as a unit. This helps in silicon area savings, better utilization, higher granularity on clock/SerDes channel and overall lower cost.

However, for some specific standards, the LFE5UM/LFE5UM5G dual-channel architecture provides flexibility; more than one standard can be supported within the same dual.

[Table 2.15](#) lists the standards that can be mixed and matched within the same dual. In general, the SerDes standards whose nominal data rates are either the same or a defined subset of each other, can be supported within the same dual. The two Protocol columns of the table define the different combinations of protocols that can be implemented together within a Dual.

**Table 2.15. LFE5UM/LFE5UM5G Mixed Protocol Support**

Protocol		Protocol
PCI Express 1.1	with	SGMII
PCI Express 1.1	with	Gigabit Ethernet
CPRI-3	with	CPRI-2 and CPRI-1
3G-SDI	with	HD-SDI and SD-SDI

There are some restrictions to be aware of when using spread spectrum clocking. When a dual shares a PCI Express x1 channel with a non-PCI Express channel, ensure that the reference clock for the dual is compatible with all protocols within the dual. For example, a PCI Express spread spectrum reference clock is not compatible with most Gigabit Ethernet applications because of tight CTC ppm requirements.

While the LFE5UM/LFE5UM5G architecture allows the mixing of a PCI Express channel and a Gigabit Ethernet, or SGMII channel within the same dual, using a PCI Express spread spectrum clocking as the transmit reference clock causes a violation of the Gigabit Ethernet, and SGMII transmit jitter specifications.

For further information on SerDes, refer to [ECP5 and ECP5-5G SerDes/PCS Usage Guide \(FPGA-TN-02206\)](#).

## 2.17. IEEE 1149.1-Compliant Boundary Scan Testability

All ECP5/ECP5-5G devices have boundary scan cells that are accessed through an IEEE 1149.1 compliant Test Access Port (TAP). This allows functional testing of the circuit board on which the device is mounted through a serial scan path that can access all critical logic nodes. Internal registers are linked internally, allowing test data to be shifted in and loaded directly onto test nodes, or test data to be captured and shifted out for verification. The test access port consists of dedicated I/O: TDI, TDO, TCK, and TMS. The test access port uses  $V_{CCIO8}$  for power supply.

For more information, refer to [ECP5 and ECP5-5G sysCONFIG Usage Guide \(FPGA-TN-02039\)](#).



## 2.18. Device Configuration

All ECP5/ECP5-5G devices contain two ports that can be used for device configuration. The Test Access Port (TAP), which supports bit-wide configuration, and the sysCONFIG port, support dual-byte, byte and serial configuration. The TAP supports both the IEEE Standard 1149.1 Boundary Scan specification and the IEEE Standard 1532 In-System Configuration specification. There are 11 dedicated pins for TAP and sysConfig supports (TDI, TDO, TCK, TMS, CFG[2:0], PROGRAMN, DONE, INITN, and CCLK). The remaining sysCONFIG pins are used as dual function pins. Refer to [ECP5 and ECP5-5G sysCONFIG Usage Guide \(FPGA-TN-02039\)](#) for more information about using the dual-use pins as general purpose I/O.

There are various ways to configure an ECP5/ECP5-5G device:

- JTAG
- Standard Serial Peripheral Interface (SPI) – Interface to boot PROM Support x1, x2, x4 wide SPI memory interfaces  
**Note:** SPI Quad is not supported on the TQFP144 package.
- System microprocessor to drive a x8 CPU port SPCM mode
- System microprocessor to drive a serial slave SPI port (SSPI mode)
- Slave Serial model (SCM)

On power-up, the FPGA SRAM is ready to be configured using the selected sysCONFIG port. Once a configuration port is selected, it remains active throughout that configuration cycle. The IEEE 1149.1 port can be activated any time after power-up by sending the appropriate command through the TAP port.

ECP5/ECP5-5G devices also support the Slave SPI Interface. In this mode, the FPGA behaves like a SPI Flash device (slave mode) with the SPI port of the FPGA to perform read-write operations.

### 2.18.1. Enhanced Configuration Options

ECP5/ECP5-5G devices have enhanced configuration features such as: decryption support, decompression support, TransFR™ I/O and dual-boot and multi-boot image support.

#### 2.18.1.1. TransFR (Transparent Field Reconfiguration)

TransFR I/O (TFR) is a unique Lattice technology that allows you to update their logic in the field without interrupting system operation using a single ispVM command. TransFR I/O allows I/O states to be frozen during device configuration. This allows the device to be field updated with a minimum of system disruption and downtime. Refer to [Minimizing System Interruption During Configuration Using TransFR Technology \(FPGA-TN-02198\)](#) for details.

#### 2.18.1.2. Dual-Boot and Multi-Boot Image Support

Dual-boot and multi-boot images are supported for applications requiring reliable remote updates of configuration data for the system FPGA. After the system is running with a basic configuration, a new boot image can be downloaded remotely and stored in a separate location in the configuration storage device. Any time after the update the ECP5/ECP5-5G devices can be re-booted from this new configuration file. If there is a problem, such as corrupt data during download or incorrect version number with this new boot image, the ECP5/ECP5-5G device can revert back to the original backup golden configuration and try again. This all can be done without power cycling the system. For more information, refer to [ECP5 and ECP5-5G sysCONFIG Usage Guide \(FPGA-TN-02039\)](#).

### 2.18.2. Single Event Upset (SEU) Support

ECP5/ECP5-5G devices support SEU mitigation with three supporting functions:

- SED – Soft Error Detect
- SEC – Soft Error Correction
- SEI – Soft Error Injection

ECP5/ECP5-5G devices have dedicated logic to perform Cycle Redundancy Code (CRC) checks. During configuration, the configuration data bitstream can be checked with the CRC logic block. In addition, the ECP5/ECP5-5G device can also be programmed to utilize a Soft Error Detect (SED) mode that checks for soft errors in configuration SRAM. The SED operation can be run in the background during user mode. If a soft error occurs, during user mode (normal operation) the device can be programmed to generate an error signal.

When an error is detected, and the error handling software determines the error did not create any risk to the system operation, the SEC tool allows the device to be re-configured in the background to correct the affected bit. This operation allows the user functions to continue to operate without stopping the system function.

Additional SEI tool is also available in the Diamond Software, by creating a frame of data to be programmed into the device in the background with one bit changed, without stopping the user functions on the device. This emulates an SEU situation, allowing user to test and monitor its error handling software.

For further information on SED support, refer to [LatticeECP3, ECP5 and ECP5-5G Soft Error Detection \(SED\)/Correction \(SEC\) Usage Guide \(FPGA-TN-02207\)](#).

### 2.18.3. On-Chip Oscillator

Every ECP5/ECP5-5G device has an internal CMOS oscillator which is used to derive a Master Clock (MCLK) for configuration. The oscillator and the MCLK run continuously and are available to user logic after configuration is completed. The software default value of the MCLK is nominally 2.4 MHz. [Table 2.16](#) lists all the available MCLK frequencies. When a different Master Clock is selected during the design process, the following sequence takes place:

1. Device powers up with a nominal Master Clock frequency of 2.4 MHz.
2. During configuration, the user can select a different master clock frequency.
3. The Master Clock frequency changes to the selected frequency once the clock configuration bits are received.
4. If user do not select a master clock frequency, then the configuration bitstream defaults to the MCLK frequency of 2.4 MHz.

This internal oscillator is available to user by routing it as an input clock to the clock tree. For further information on the use of this oscillator for configuration or user mode, refer to [ECP5 and ECP5-5G sysCONFIG Usage Guide \(FPGA-TN-02039\)](#) and [ECP5 and ECP5-5G sysClock PLL/DLL Design and Usage Guide \(FPGA-TN-02200\)](#).

**Table 2.16. Selectable Master Clock (MCLK) Frequencies during Configuration (Nominal)**

MCLK Frequency (MHz)
2.4
4.8
9.7
19.4
38.8
62

### 2.19. Density Shifting

The ECP5/ECP5-5G family is designed to ensure that different density devices in the same family and in the same package have the same pinout. Furthermore, the architecture ensures a high success rate when performing design migration from lower density devices to higher density devices. In many cases, it is also possible to shift a lower utilization design targeted for a high-density device to a lower density device. However, the exact details of the final resource utilization impacts the likelihood of success in each case. An example is that some user I/O may become No Connects in smaller devices in the same package. Refer to the ECP5/ECP5-5G Pin Migration Tables and Diamond software for specific restrictions and limitations.

### 2.20. Digital Temperature Readout

ECP5 and ECP5-5G devices include a Digital Temperature Readout module. There is one DTR on the chip and users can use it to read the junction temperature at which the chip is operating. The readings provided by this module should be used cautiously as it is not specifically calibrated for absolute accuracy.

For more information, please refer to the Technical Note for [Power Consumption and Management for ECP5 and ECP5-5G Devices \(FPGA-TN-02210\)](#).

## 3. DC and Switching Characteristics

### 3.1. Absolute Maximum Ratings

**Table 3.1. Absolute Maximum Ratings**

Symbol	Parameter	Min	Max	Unit
$V_{CC}$	Supply Voltage	-0.5	1.32	V
$V_{CCA}$	Supply Voltage	-0.5	1.32	V
$V_{CCAUX}$ , $V_{CCAUXA}$	Supply Voltage	-0.5	2.75	V
$V_{CCIO}$	Supply Voltage	-0.5	3.63	V
—	Input or I/O Transient Voltage Applied	-0.5	3.63	V
$V_{CCHRX}$ , $V_{CCHTX}$	SerDes RX/TX Buffer Supply Voltages	-0.5	1.32	V
—	Voltage Applied on SerDes Pins	-0.5	1.80	V
$T_A$	Storage Temperature (Ambient)	-65	150	°C
$T_J$	Junction Temperature	—	+125	°C

**Notes:**

1. Stress above those listed under the *Absolute Maximum Ratings* may cause permanent damage to the device. Functional operation of the device at these or any other conditions above those indicated in the operational sections of this specification is not implied.
2. Compliance with the Lattice Thermal Management document is required.
3. All voltages referenced to GND.

### 3.2. Recommended Operating Conditions

**Table 3.2. Recommended Operating Conditions**

Symbol	Parameter		Min	Max	Unit
$V_{CC}^2$	Core Supply Voltage	ECP5	1.045	1.155	V
		ECP5-5G	1.14	1.26	V
$V_{CCAUX}^{2,4}$	Auxiliary Supply Voltage	—	2.375	2.625	V
$V_{CCIO}^{2,3}$	I/O Driver Supply Voltage	—	1.14	3.465	V
$V_{REF}^1$	Input Reference Voltage	—	0.5	1.0	V
$t_{JCOM}$	Junction Temperature, Commercial Operation	—	0	85	°C
$t_{JIND}$	Junction Temperature, Industrial Operation	—	-40	100	°C
<b>SerDes External Power Supply<sup>5</sup></b>					
$V_{CCA}$	SerDes Analog Power Supply	ECP5UM	1.045	1.155	V
		ECP5-5G	1.164	1.236	V
$V_{CCAUXA}$	SerDes Auxiliary Supply Voltage	—	2.374	2.625	V
$V_{CCHRX}^6$	SerDes Input Buffer Power Supply	ECP5UM	0.30	1.155	V
		ECP5-5G	0.30	1.26	V
$V_{CCHTX}$	SerDes Output Buffer Power Supply	ECP5UM	1.045	1.155	V
		ECP5-5G	1.14	1.26	V

**Notes:**

1. For correct operation, all supplies except  $V_{REF}$  must be held in their valid operation range. This is true independent of feature usage.
2. All supplies with same voltage, except SerDes Power Supplies, should be connected together.
3. See recommended voltages by I/O standard in [Table 3.4 of the Power-On-Reset Voltage Levels](#) section.
4.  $V_{CCAUX}$  ramp rate must not exceed 30 mV/μs during power-up when transitioning between 0 V and 3 V.
5. Refer to [ECP5 and ECP5-5G SerDes/PCS Usage Guide \(FPGA-TN-02206\)](#) for information on board considerations for SerDes power supplies.
6.  $V_{CCHRX}$  is used for Rx termination. It can be biased to  $V_{cm}$  if external AC coupling is used. This voltage needs to meet all the HDin input voltage level requirements specified in the Rx section of this Data Sheet.

### 3.3. Power Supply Ramp Rates

**Table 3.3. Power Supply Ramp Rates<sup>1</sup>**

Symbol	Parameter	Min	Typ	Max	Unit
$t_{\text{RAMP}}$	Power Supply ramp rates for all supplies	0.01	—	10	V/ms

**Note:**

- Assumes monotonic ramp rates.

### 3.4. Power-On-Reset Voltage Levels

**Table 3.4. Power-On-Reset Voltage Levels**

Symbol	Parameter		Min	Typ	Max	Unit	
$V_{\text{PORUP}}$	All Devices	Power-On-Reset ramp-up trip point (Monitoring $V_{\text{CC}}$ , $V_{\text{CCAUX}}$ , and $V_{\text{CCIO8}}$ )	$V_{\text{CC}}$	0.90	—	1.00	V
			$V_{\text{CCAUX}}$	2.00	—	2.20	V
			$V_{\text{CCIO8}}$	0.95	—	1.06	V
$V_{\text{PORDN}}$	All Devices	Power-On-Reset ramp-down trip point (Monitoring $V_{\text{CC}}$ , and $V_{\text{CCAUX}}$ )	$V_{\text{CC}}$	0.77	—	0.87	V
			$V_{\text{CCAUX}}$	1.80	—	2.00	V

**Notes:**

- These POR trip points are only provided for guidance. Device operation is only characterized for power supply voltages specified under recommended operating conditions.
- Only  $V_{\text{CCIO8}}$  has a Power-On-Reset ramp up trip point. All other  $V_{\text{CCIO}s}$  do not have Power-On-Reset ramp up detection.
- $V_{\text{CCIO8}}$  does not have a Power-On-Reset ramp down detection.  $V_{\text{CCIO8}}$  must remain within the Recommended Operating Conditions to ensure proper operation.

### 3.5. Power up Sequence

Power-On-Reset (POR) puts the ECP5/ECP5-5G device in a reset state. POR is released when  $V_{\text{CC}}$ ,  $V_{\text{CCAUX}}$ , and  $V_{\text{CCIO8}}$  are ramped above the  $V_{\text{PORUP}}$  voltage, as specified above.

$V_{\text{CCIO8}}$  controls the voltage on the configuration I/O pins. If the ECP5/ECP5-5G device is using Master SPI mode to download configuration data from external SPI Flash, it is required to ramp  $V_{\text{CCIO8}}$  above  $V_{\text{IH}}$  of the external SPI Flash, before at least one of the other two supplies ( $V_{\text{CC}}$  and/or  $V_{\text{CCAUX}}$ ) is ramped to  $V_{\text{PORUP}}$  voltage level. If the system cannot meet this power up sequence requirement, and requires the  $V_{\text{CCIO8}}$  to be ramped last, then the system must keep either PROGRAMN or INITN pin LOW during power up, until  $V_{\text{CCIO8}}$  reaches  $V_{\text{IH}}$  of the external SPI Flash. This ensures the signals driven out on the configuration pins to the external SPI Flash meet the  $V_{\text{IH}}$  voltage requirement of the SPI Flash. For LFE5UM/LFE5UM5G devices, it is required to power up  $V_{\text{CCA}}$ , before  $V_{\text{CCAUXA}}$  is powered up.

### 3.6. Hot Socketing Specifications

The left and right banks generally do not support hot-socketing (see IDK specification in [Table 3.5](#)). That is, the device pins present a low-impedance path to ground if the GPIO input voltage exceeds the  $V_{\text{CCIO}}$  rail voltage. Moreover, the device A/B pairs and C/D pairs present a low-impedance path between A/B or C/D pins if  $V_{\text{CCIO}}$  is present on these banks but  $V_{\text{CC}}$  has not reached its power-up reset trip voltages. In the event the device rails are brought up separately, care should be taken to limit current available to the A/B and C/D pin pairs to avoid possible device damage.

**Table 3.5. Hot Socketing Specifications**

Symbol	Parameter	Condition <sup>1, 4</sup>	Min	Typ	Max	Unit
IDK_HS <sup>2, 3</sup>	Input or I/O Leakage Current for Top and Bottom Banks Only	$0 \leq V_{IN} \leq V_{IH} (Max)$	—	—	±1	mA
IDK <sup>2, 3</sup>	Input or I/O Leakage Current for Left and Right Banks Only	$0 \leq V_{IN} < V_{CCIO}$	—	—	±1	mA
		$V_{CCIO} \leq V_{IN} \leq V_{CCIO} + 0.5 V$	—	18	—	mA
		$0 < V_{IN} < V_{IH} (Max), V_{CC} < V_{porup} (V_{CC})^5$	—	—	+/- 33	mA

**Notes:**

1.  $V_{CC}$ ,  $V_{CCAUX}$  and  $V_{CCIO}$  should rise/fall monotonically.
2.  $I_{DK}$  is additive to  $I_{PU}$ ,  $I_{PD}$  or  $I_{BH}$ .
3. LVCMOS and LVTTTL only.
4. Hot socket specification defines when the junction temperature of the hot socketed device is at 85 °C or below. When the hot socketed device's junction temperature is above 85 °C, the  $I_{DK}$  current can exceed ±1 mA.
5. Between A/B or C/D pairs, device damage may occur.

### 3.7. Hot Socketing Requirements

**Table 3.6. Hot Socketing Requirements**

Description	Min	Typ	Max	Unit
Input current per SerDes I/O pin when device is powered down, inputs driven	—	—	8	mA
Input current per HDIN pin when device power supply is off, inputs driven <sup>1, 2</sup>	—	—	15	mA
Current per HDIN pin when device power ramps up, input driven <sup>3</sup>	—	—	50	mA
Current per HDOUT pin when device power supply is off, outputs pulled up <sup>4</sup>	—	—	30	mA

**Notes:**

1. Device is powered down with all supplies grounded, both HDINP and HDINN inputs driven by a CML driver with maximum allowed output  $V_{CCHTX}$ , 8b/10b data, no external AC coupling.
2. Each P and N input must have less than the specified maximum input current during hot plug. For a device with 2 DCU, the total input current would be 15 mA × 4 channels × 2 input pins per channel = 120 mA.
3. Device power supplies are ramping up ( $V_{CCA}$  and  $V_{CCAUX}$ ), both HDINP and HDINN inputs are driven by a CML driver with maximum allowed output  $V_{CCHTX}$ , 8b/10b data, internal AC coupling.
4. Device is powered down with all supplies grounded. Both HDOUTP and HDOUN outputs are pulled up to  $V_{CCHTX}$  by the far end receiver termination of 50 Ω single ended.

### 3.8. ESD Performance

Refer to the [ECP5 and ECP5-5G Product Family Qualification Summary](#) for complete qualification data, including ESD performance.

### 3.9. DC Electrical Characteristics

Over Recommended Operating Conditions

**Table 3.7. DC Electrical Characteristics**

Symbol	Parameter	Condition	Min	Typ	Max	Unit
$I_{IL}, I_{IH}^{1, 4}$	Input or I/O Low Leakage	$0 \leq V_{IN} \leq V_{CCIO}$	—	—	10	μA
$I_{IH}^{1, 3}$	Input or I/O High Leakage	$V_{CCIO} < V_{IN} \leq V_{IH}(MAX)$	—	—	100	μA
$I_{PU}$	I/O Active Pull-up Current, sustaining logic HIGH state	$0.7 V_{CCIO} \leq V_{IN} \leq V_{CCIO}$	-30	—	—	μA
	I/O Active Pull-up Current, pulling down from logic HIGH state	$0 \leq V_{IN} \leq 0.7 V_{CCIO}$	—	—	-150	μA

Symbol	Parameter	Condition	Min	Typ	Max	Unit
I <sub>PD</sub>	I/O Active Pull-down Current, sustaining logic LOW state	$0 \leq V_{IN} \leq V_{IL} (MAX)$	30	—	—	μA
	I/O Active Pull-down Current, pulling up from logic LOW state	$0 \leq V_{IN} \leq V_{CCIO}$	—	—	150	μA
C1	I/O Capacitance <sup>2</sup>	$V_{CCIO} = 3.3 V, 2.5 V, 1.8 V, 1.5 V, 1.2 V,$ $V_{CC} = 1.2 V, V_{IO} = 0 \text{ to } V_{IH(MAX)}$	—	5	8	pf
C2	Dedicated Input Capacitance <sup>2</sup>	$V_{CCIO} = 3.3 V, 2.5 V, 1.8 V, 1.5 V, 1.2 V,$ $V_{CC} = 1.2 V, V_{IO} = 0 \text{ to } V_{IH(MAX)}$	—	5	7	pf
V <sub>HYST</sub>	Hysteresis for Single-Ended Inputs	$V_{CCIO} = 3.3 V$	—	300	—	mV
		$V_{CCIO} = 2.5 V$	—	250	—	mV

**Notes:**

- Input or I/O leakage current is measured with the pin configured as an input or as an I/O with the output driver tri-stated. It is not measured with the output driver active. Bus maintenance circuits are disabled.
- T<sub>A</sub> 25 °C, f = 1.0 MHz.
- Applicable to general purpose I/O in top and bottom banks.
- When used as V<sub>REF</sub>, maximum leakage= 25 μA.

### 3.10. Supply Current (Static)

Over recommended operating conditions.

**Table 3.8. ECP5/ECP5-5G Supply Current (Static)**

Symbol	Parameter	Device	Typical	Unit
I <sub>CC</sub>	Core Power Supply Current	LFESU-12F/LFESU-25F/LFESUM-25F	77	mA
		LFESUM5G-25F	77	mA
		LFESU-45F/LFESUM-45F	116	mA
		LFESUM5G-45F	116	mA
		LFESU-85F/LFESUM-85F	212	mA
		LFESUM5G-85F	212	mA
I <sub>CCAUX</sub>	Auxiliary Power Supply Current	LFESU-12F/LFESU-25F/LFESUM-25F/ LFESUM5G-25F	16	mA
		LFESU-45F/LFESUM-45F/LFESUM5G-45F	17	mA
		LFESU-85F/LFESUM-85F/LFESUM5G-85F	26	mA
I <sub>CCIO</sub>	Bank Power Supply Current (Per Bank)	LFESU-12F/LFESU-25F/LFESUM-25F/ LFESUM5G-25F	0.5	mA
		LFESU-45F/LFESUM-45F/LFESUM5G-45F	0.5	mA
		LFESU-85F/LFESUM-85F/LFESUM5G-85F	0.5	mA
I <sub>CCA</sub>	SerDes Power Supply Current (Per Dual)	LFESUM-25F	11	mA
		LFESUM5G-25F	12	mA
		LFESUM-45F	9.5	mA
		LFESUM5G-45F	11	mA
		LFESUM-85F	9.5	mA
		LFESUM5G-85F	11	mA

**Notes:**

- For further information on supply current, see the list of technical documentation in [Supplemental Information](#) section.
- Assumes all outputs are tri-stated, all inputs are configured as LVCMOS and held at the VCCIO or GND.
- Frequency 0 Hz.
- Pattern represents a test bitstream to consume minimum static power.
- T<sub>J</sub> = 85 °C, power supplies at nominal voltage.
- To determine the ECP5/ECP5-5G peak start-up current, use the Power Calculator tool in the Lattice Diamond Design software.

### 3.11. SerDes Power Supply Requirements<sup>1, 2, 3</sup>

Over recommended operating conditions.

**Table 3.9. ECP5UM**

Symbol	Description	Typ	Max	Unit
<b>Standby (Power Down)</b>				
I <sub>CCA-SB</sub>	V <sub>CCA</sub> Power Supply Current (Per Channel)	4	9.5	mA
I <sub>CCHRX-SB</sub> <sup>4</sup>	V <sub>CCHRX</sub> , Input Buffer Current (Per Channel)	—	0.1	mA
I <sub>CCHTX-SB</sub>	V <sub>CCHTX</sub> , Output Buffer Current (Per Channel)	—	0.9	mA
<b>Operating (Data Rate = 3.125 Gb/s)</b>				
I <sub>CCA-OP</sub>	V <sub>CCA</sub> Power Supply Current (Per Channel)	43	54	mA
I <sub>CCHRX-OP</sub> <sup>5</sup>	V <sub>CCHRX</sub> , Input Buffer Current (Per Channel)	0.4	0.5	mA
I <sub>CCHTX-OP</sub>	V <sub>CCHTX</sub> , Output Buffer Current (Per Channel)	10	13	mA
<b>Operating (Data Rate = 2.5 Gb/s)</b>				
I <sub>CCA-OP</sub>	V <sub>CCA</sub> Power Supply Current (Per Channel)	40	50	mA
I <sub>CCHRX-OP</sub> <sup>5</sup>	V <sub>CCHRX</sub> , Input Buffer Current (Per Channel)	0.4	0.5	mA
I <sub>CCHTX-OP</sub>	V <sub>CCHTX</sub> , Output Buffer Current (Per Channel)	10	13	mA
<b>Operating (Data Rate = 1.25 Gb/s)</b>				
I <sub>CCA-OP</sub>	V <sub>CCA</sub> Power Supply Current (Per Channel)	34	43	mA
I <sub>CCHRX-OP</sub> <sup>5</sup>	V <sub>CCHRX</sub> , Input Buffer Current (Per Channel)	0.4	0.5	mA
I <sub>CCHTX-OP</sub>	V <sub>CCHTX</sub> , Output Buffer Current (Per Channel)	10	13	mA
<b>Operating (Data Rate = 270 Mb/s)</b>				
I <sub>CCA-OP</sub>	V <sub>CCA</sub> Power Supply Current (Per Channel)	28	38	mA
I <sub>CCHRX-OP</sub> <sup>5</sup>	V <sub>CCHRX</sub> , Input Buffer Current (Per Channel)	0.4	0.5	mA
I <sub>CCHTX-OP</sub>	V <sub>CCHTX</sub> , Output Buffer Current (Per Channel)	8	10	mA

**Notes:**

1. Rx Equalization enabled, Tx De-emphasis (pre-cursor and post-cursor) disabled
2. Per Channel current is calculated with both channels on in a Dual, and dividing the current by two. If only one channel is on, current is higher.
3. To calculate with Tx De-emphasis enabled, use the Diamond Power Calculator tool.
4. For I<sub>CCHRX-SB</sub>, during Standby, input termination on Rx are disabled.
5. For I<sub>CCHRX-OP</sub>, during operational, the max specified when external AC coupling is used. If externally DC coupled, the power is based on current pulled down by external driver when the input is driven to LOW.

**Table 3.10. ECP5-5G**

Symbol	Description	Typ	Max	Unit
<b>Standby (Power Down)</b>				
$I_{CCA-SB}$	$V_{CCA}$ Power Supply Current (Per Channel)	4	9.5	mA
$I_{CCHRX-SB}^4$	$V_{CCHRX}$ , Input Buffer Current (Per Channel)	—	0.1	mA
$I_{CCHTX-SB}$	$V_{CCHTX}$ , Output Buffer Current (Per Channel)	—	0.9	mA
<b>Operating (Data Rate = 5 Gb/s)</b>				
$I_{CCA-OP}$	$V_{CCA}$ Power Supply Current (Per Channel)	58	67	mA
$I_{CCHRX-OP}^5$	$V_{CCHRX}$ , Input Buffer Current (Per Channel)	0.4	0.5	mA
$I_{CCHTX-OP}$	$V_{CCHTX}$ , Output Buffer Current (Per Channel)	10	13	mA
<b>Operating (Data Rate = 3.2 Gb/s)</b>				
$I_{CCA-OP}$	$V_{CCA}$ Power Supply Current (Per Channel)	48	57	mA
$I_{CCHRX-OP}^5$	$V_{CCHRX}$ , Input Buffer Current (Per Channel)	0.4	0.5	mA
$I_{CCHTX-OP}$	$V_{CCHTX}$ , Output Buffer Current (Per Channel)	10	13	mA
<b>Operating (Data Rate = 2.5 Gb/s)</b>				
$I_{CCA-OP}$	$V_{CCA}$ Power Supply Current (Per Channel)	44	53	mA
$I_{CCHRX-OP}^5$	$V_{CCHRX}$ , Input Buffer Current (Per Channel)	0.4	0.5	mA
$I_{CCHTX-OP}$	$V_{CCHTX}$ , Output Buffer Current (Per Channel)	10	13	mA
<b>Operating (Data Rate = 1.25 Gb/s)</b>				
$I_{CCA-OP}$	$V_{CCA}$ Power Supply Current (Per Channel)	36	46	mA
$I_{CCHRX-OP}^5$	$V_{CCHRX}$ , Input Buffer Current (Per Channel)	0.4	0.5	mA
$I_{CCHTX-OP}$	$V_{CCHTX}$ , Output Buffer Current (Per Channel)	10	13	mA
<b>Operating (Data Rate = 270 Mb/s)</b>				
$I_{CCA-OP}$	$V_{CCA}$ Power Supply Current (Per Channel)	30	40	mA
$I_{CCHRX-OP}^5$	$V_{CCHRX}$ , Input Buffer Current (Per Channel)	0.4	0.5	mA
$I_{CCHTX-OP}$	$V_{CCHTX}$ , Output Buffer Current (Per Channel)	8	10	mA

**Notes:**

1. Rx Equalization enabled, Tx De-emphasis (pre-cursor and post-cursor) disabled
2. Per Channel current is calculated with both channels on in a Dual, and dividing the current by two. If only one channel is on, current is higher.
3. To calculate with Tx De-emphasis enabled, use the Diamond Power Calculator tool.
4. For  $I_{CCHRX-SB}$ , during Standby, input termination on Rx are disabled.
5. For  $I_{CCHRX-OP}$ , during operational, the max specified when external AC coupling is used. If externally DC coupled, the power is based on current pulled down by external driver when the input is driven to LOW.

### 3.12. sysI/O Recommended Operating Conditions

**Table 3.11. sysI/O Recommended Operating Conditions**

Standard	$V_{CCIO}$			$V_{REF}$ (V)		
	Min	Typ	Max	Min	Typ	Max
LVC MOS33 <sup>1</sup>	3.135	3.3	3.465	—	—	—
LVC MOS33D Output	3.135	3.3	3.465	—	—	—
LVC MOS25D Output	2.375	2.5	2.625	—	—	—
LVC MOS25 <sup>1</sup>	2.375	2.5	2.625	—	—	—
LVC MOS18	1.71	1.8	1.89	—	—	—
LVC MOS15	1.425	1.5	1.575	—	—	—
LVC MOS12 <sup>1</sup>	1.14	1.2	1.26	—	—	—
LV TTL33 <sup>1</sup>	3.135	3.3	3.465	—	—	—
SSTL15_I, _II <sup>2</sup>	1.43	1.5	1.57	0.68	0.75	0.9
SSTL18_I, _II <sup>2</sup>	1.71	1.8	1.89	0.833	0.9	0.969



Standard	V <sub>CCIO</sub>			V <sub>REF</sub> (V)		
	Min	Typ	Max	Min	Typ	Max
SSTL135_I, _II <sup>2</sup>	1.28	1.35	1.42	0.6	0.675	0.75
HSUL12 <sup>2</sup>	1.14	1.2	1.26	0.588	0.6	0.612
MIPI D-PHY LP Input <sup>3, 5</sup>	1.425	1.5	1.575	—	—	—
LVDS25 <sup>4, 3</sup>	2.375	2.5	2.625	—	—	—
subLVDS <sup>3</sup> (Input only)	—	—	—	—	—	—
SLVS <sup>3</sup> (Input only)	—	—	—	—	—	—
LVDS25E Output	2.375	2.5	2.625	—	—	—
MLVDS25 <sup>1, 3</sup>	2.375	2.5	2.625	—	—	—
MLVDS25E Output	2.375	2.5	2.625	—	—	—
LVPECL33 <sup>1, 3</sup>	3.135	3.3	3.465	—	—	—
LVPECL33E Output	3.135	3.3	3.465	—	—	—
BLVDS25 <sup>1, 3</sup>	2.375	2.5	2.625	—	—	—
BLVDS25E Output	2.375	2.5	2.625	—	—	—
HSULD12D <sup>2, 3</sup>	1.14	1.2	1.26	—	—	—
SSTL135D_I, II <sup>2, 3</sup>	1.28	1.35	1.42	—	—	—
SSTL15D_I, II <sup>2, 3</sup>	1.43	1.5	1.57	—	—	—
SSTL18D_I <sup>1, 2, 3</sup> , II <sup>1, 2, 3</sup>	1.71	1.8	1.89	—	—	—

**Notes:**

1. For input voltage compatibility, refer to [ECP5 and ECP5-5G sys/O Usage Guide \(FPGA-TN-02032\)](#).
2. V<sub>REF</sub> is required when using Differential SSTL and HSUL to interface to DDR/LPDDR memories.
3. These differential inputs use LVDS input comparator, which uses V<sub>CCAUX</sub> power.
4. All differential inputs and LVDS25 output are supported in the Left and Right banks only. Refer to [ECP5 and ECP5-5G sys/O Usage Guide \(FPGA-TN-02032\)](#) for details.
5. MIPI D-PHY LP input can be implemented by powering V<sub>CCIO</sub> to 1.5 V, and select MIPI LP primitive to meet MIPI Alliance spec on V<sub>IH</sub> and V<sub>IL</sub>. It can also be implemented as LVCMOS12 with V<sub>CCIO</sub> at 1.2 V, which would meet V<sub>IH</sub>/V<sub>IL</sub> spec on LVCMOS12.

### 3.13. sys/O Single-Ended DC Electrical Characteristics<sup>4</sup>

**Table 3.12. Single-Ended DC Characteristics**

Input/Output Standard	V <sub>IL</sub>		V <sub>IH</sub>		V <sub>OL</sub> Max (V)	V <sub>OH</sub> Min (V)	I <sub>OL</sub> <sup>1</sup> (mA)	I <sub>OH</sub> <sup>1</sup> (mA)
	Min (V)	Max (V)	Min (V)	Max (V)				
LVCMOS33	-0.3	0.8	2.0	3.465	0.4	V <sub>CCIO</sub> - 0.4	16, 12, 8, 4	-16, -12, -8, -4
LVCMOS25	-0.3	0.7	1.7	3.465	0.4	V <sub>CCIO</sub> - 0.4	12, 8, 4	-12, -8, -4
LVCMOS18	-0.3	0.35 V <sub>CCIO</sub>	0.65 V <sub>CCIO</sub>	3.465	0.4	V <sub>CCIO</sub> - 0.4	12, 8, 4	-12, -8, -4
LVCMOS15	-0.3	0.35 V <sub>CCIO</sub>	0.65 V <sub>CCIO</sub>	3.465	0.4	V <sub>CCIO</sub> - 0.4	8, 4	-8, -4
LVCMOS12	-0.3	0.35 V <sub>CCIO</sub>	0.65 V <sub>CCIO</sub>	3.465	0.4	V <sub>CCIO</sub> - 0.4	8, 4	-8, -4
LVTTL33	-0.3	0.8	2.0	3.465	0.4	V <sub>CCIO</sub> - 0.4	16, 12, 8, 4	-16, -12, -8, -4
SSTL18_I (DDR2 Memory)	-0.3	V <sub>REF</sub> - 0.125	V <sub>REF</sub> + 0.125	3.465	0.4	V <sub>CCIO</sub> - 0.4	6.7	-6.7
SSTL18_II	-0.3	V <sub>REF</sub> - 0.125	V <sub>REF</sub> + 0.125	3.465	0.28	V <sub>CCIO</sub> - 0.28	13.4	-13.4
SSTL15_I (DDR3 Memory)	-0.3	V <sub>REF</sub> - 0.1	V <sub>REF</sub> + 0.1	3.465	0.31	V <sub>CCIO</sub> - 0.31	7.5	-7.5
SSTL15_II (DDR3 Memory)	-0.3	V <sub>REF</sub> - 0.1	V <sub>REF</sub> + 0.1	3.465	0.31	V <sub>CCIO</sub> - 0.31	8.8	-8.8

Input/Output Standard	V <sub>IL</sub>		V <sub>IH</sub>		V <sub>OL</sub> Max (V)	V <sub>OH</sub> Min (V)	I <sub>OL</sub> <sup>1</sup> (mA)	I <sub>OH</sub> <sup>1</sup> (mA)
	Min (V)	Max (V)	Min (V)	Max (V)				
SSTL135_I (DDR3L Memory)	-0.3	V <sub>REF</sub> - 0.09	V <sub>REF</sub> + 0.09	3.465	0.27	V <sub>CCIO</sub> - 0.27	7	-7
SSTL135_II (DDR3L Memory)	-0.3	V <sub>REF</sub> - 0.09	V <sub>REF</sub> + 0.09	3.465	0.27	V <sub>CCIO</sub> - 0.27	8	-8
MIPI D-PHY (LP) <sup>3</sup>	-0.3	0.55	0.88	3.465	—	—	—	—
HSUL12 (LPDDR2/3 Memory)	-0.3	V <sub>REF</sub> - 0.1	V <sub>REF</sub> + 0.1	3.465	0.3	V <sub>CCIO</sub> - 0.3	4	-4

**Notes:**

- For electromigration, the average DC current drawn by the I/O pads within a bank of I/O shall not exceed 10 mA per I/O (All I/O used in the same V<sub>CCIO</sub>).
- Not all I/O types are supported in all banks. Refer to [ECP5 and ECP5-5G sys/I/O Usage Guide \(FPGA-TN-02032\)](#) for details.
- MIPI D-PHY LP input can be implemented by powering V<sub>CCIO</sub> to 1.5 V, and select MIPI LP primitive to meet MIPI Alliance spec on V<sub>IH</sub> and V<sub>IL</sub>. It can also be implemented as LVCMOS12 with V<sub>CCIO</sub> at 1.2 V, which would meet V<sub>IH</sub>/V<sub>IL</sub> spec on LVCMOS12.
- For I/O with mixed voltage support, V<sub>OH</sub> follows respective sys/I/O bank V<sub>CCIO</sub> supply voltage, and V<sub>IL</sub>/V<sub>IH</sub> follows the I/O signaling standard.

### 3.14. sys/I/O Differential Electrical Characteristics

#### 3.14.1. LVDS

Over recommended operating conditions.

**Table 3.13. LVDS**

Parameter	Description	Test Conditions	Min	Typ	Max	Unit
V <sub>INP</sub> , V <sub>INM</sub>	Input Voltage	—	0	—	2.4	V
V <sub>CM</sub>	Input Common Mode Voltage	Half the sum of the two Inputs	0.05	—	2.35	V
V <sub>THD</sub>	Differential Input Threshold	Difference between the two Inputs	±100	—	—	mV
I <sub>IN</sub>	Input Current	Power On or Power Off	—	—	±10	µA
V <sub>OH</sub>	Output High Voltage for V <sub>OP</sub> or V <sub>OM</sub>	R <sub>T</sub> = 100 Ω	—	1.38	1.60	V
V <sub>OL</sub>	Output Low Voltage for V <sub>OP</sub> or V <sub>OM</sub>	R <sub>T</sub> = 100 Ω	0.9 V	1.03	—	V
V <sub>OD</sub>	Output Voltage Differential	(V <sub>OP</sub> - V <sub>OM</sub> ), R <sub>T</sub> = 100 Ω	250	350	450	mV
ΔV <sub>OD</sub>	Change in V <sub>OD</sub> Between High and Low	—	—	—	50	mV
V <sub>OS</sub>	Output Voltage Offset	(V <sub>OP</sub> + V <sub>OM</sub> )/2, R <sub>T</sub> = 100 Ω	1.125	1.25	1.375	V
ΔV <sub>OS</sub>	Change in V <sub>OS</sub> Between H and L	—	—	—	50	mV
I <sub>SAB</sub>	Output Short Circuit Current	V <sub>OD</sub> = 0 V Driver outputs shorted to each other	—	—	12	mA

**Note:** On the left and right sides of the device, this specification is valid only for V<sub>CCIO</sub> = 2.5 V or 3.3 V.

#### 3.14.2. SSTLD

All differential SSTL outputs are implemented as a pair of complementary single-ended outputs. All allowable single-ended output classes (class I and class II) are supported in this mode.

#### 3.14.3. LVCMOS33D

All I/O banks support emulated differential I/O using the LVCMOS33D I/O type. This option, along with the external resistor network, provides the system designer the flexibility to place differential outputs on an I/O bank with 3.3 V V<sub>CCIO</sub>. The default drive current for LVCMOS33D output is 12 mA with the option to change the device strength to 4 mA, 8 mA, 12 mA, or 16 mA. Follow the LVCMOS33 specifications for the DC characteristics of the LVCMOS33D.

### 3.14.4. LVDS25E

The top and bottom sides of ECP5/ECP5-5G devices support LVDS outputs via emulated complementary LVCMOS outputs in conjunction with a parallel resistor across the driver outputs. The scheme shown in Figure 3.1 is one possible solution for point-to-point signals.

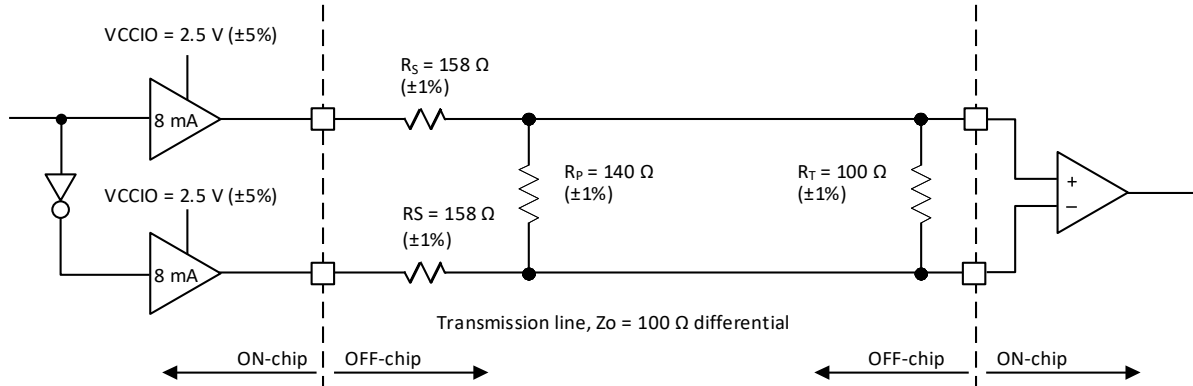


Figure 3.1. LVDS25E Output Termination Example

Table 3.14. LVDS25E DC Conditions

Parameter	Description	Typical	Unit
$V_{CCIO}$	Output Driver Supply (±5%)	2.50	V
$Z_{OUT}$	Driver Impedance	20	$\Omega$
$R_S$	Driver Series Resistor (±1%)	158	$\Omega$
$R_P$	Driver Parallel Resistor (±1%)	140	$\Omega$
$R_T$	Receiver Termination (±1%)	100	$\Omega$
$V_{OH}$	Output High Voltage	1.43	V
$V_{OL}$	Output Low Voltage	1.07	V
$V_{OD}$	Output Differential Voltage	0.35	V
$V_{CM}$	Output Common Mode Voltage	1.25	V
$Z_{BACK}$	Back Impedance	100.5	$\Omega$
$I_{DC}$	DC Output Current	6.03	mA

**Note:**

1. For input buffer, see Table 3.13.

### 3.14.5. BLVDS25

The ECP5/ECP5-5G devices support the BLVDS standard. This standard is emulated using complementary LVCMOS outputs in conjunction with a parallel external resistor across the driver outputs. BLVDS is intended for use when multi-drop and bi-directional multi-point differential signaling is required. The scheme shown in Figure 3.2 is one possible solution for bi-directional multi-point differential signals.

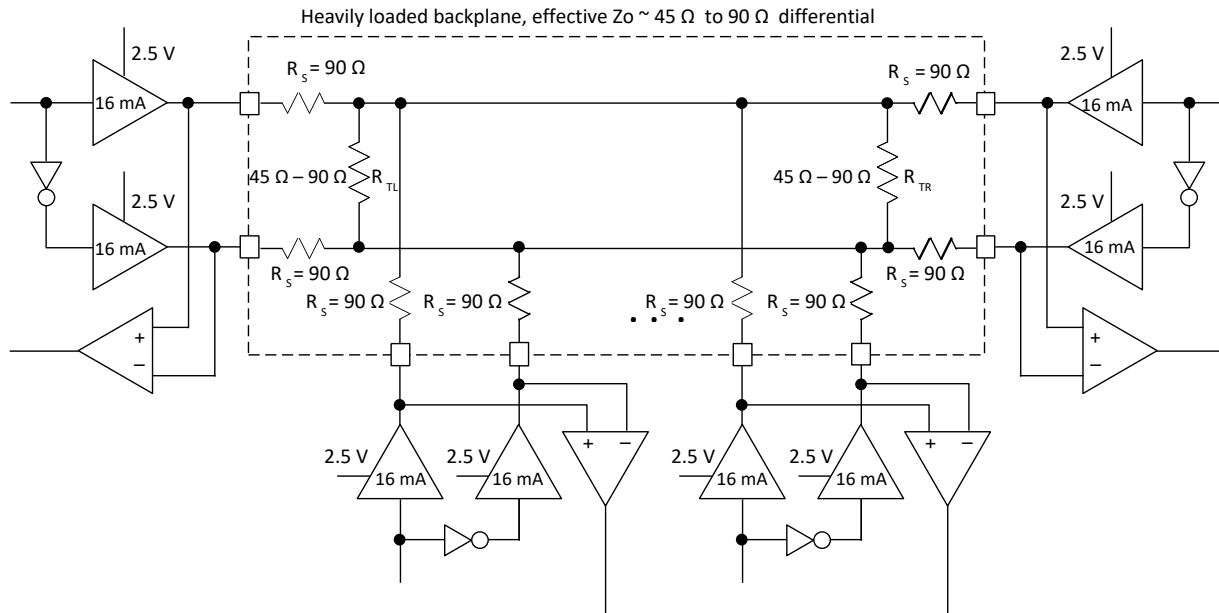


Figure 3.2. BLVDS25 Multi-point Output Example

Over recommended operating conditions.

Table 3.15. BLVDS25 DC Conditions

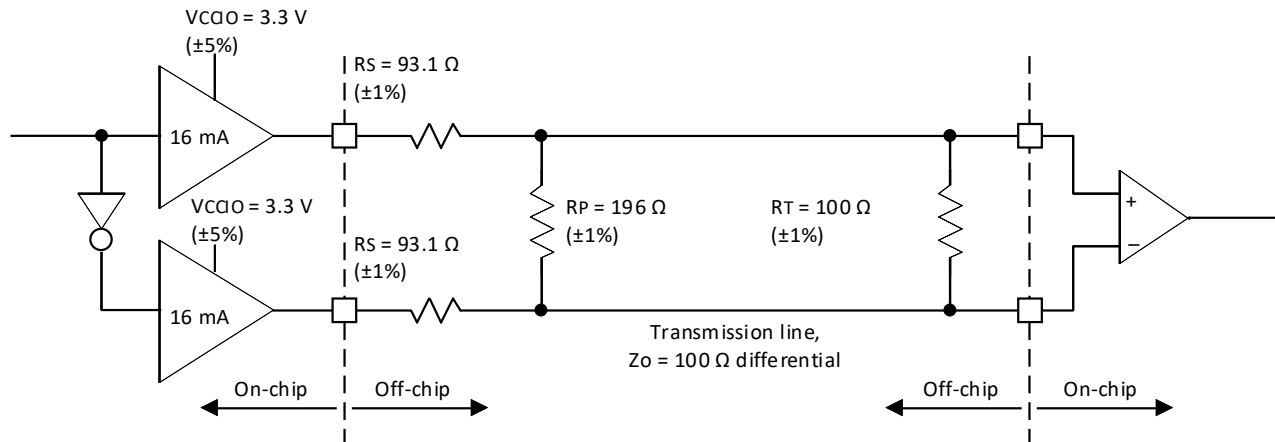
Parameter	Description	Typical		Unit
		Zo = 45 Ω	Zo = 90 Ω	
V <sub>CCIO</sub>	Output Driver Supply (±5%)	2.50	2.50	V
Z <sub>OUT</sub>	Driver Impedance	10.00	10.00	Ω
R <sub>S</sub>	Driver Series Resistor (±1%)	90.00	90.00	Ω
R <sub>TL</sub>	Driver Parallel Resistor (±1%)	45.00	90.00	Ω
R <sub>TR</sub>	Receiver Termination (±1%)	45.00	90.00	Ω
V <sub>OH</sub>	Output High Voltage	1.38	1.48	V
V <sub>OL</sub>	Output Low Voltage	1.12	1.02	V
V <sub>OD</sub>	Output Differential Voltage	0.25	0.46	V
V <sub>CM</sub>	Output Common Mode Voltage	1.25	1.25	V
I <sub>DC</sub>	DC Output Current	11.24	10.20	mA

**Note:**

1. For input buffer, see Table 3.13.

### 3.14.6. LVPECL33

The ECP5/ECP5-5G devices support the differential LVPECL standard. This standard is emulated using complementary LVCMOS outputs in conjunction with a parallel resistor across the driver outputs. The LVPECL input standard is supported by the LVDS differential input buffer. The scheme shown in Figure 3.3 is one possible solution for point-to-point signals.



**Figure 3.3. Differential LVPECL33**

Over recommended operating conditions.

**Table 3.16. LVPECL33 DC Conditions**

Parameter	Description	Typical	Unit
V <sub>CCIO</sub>	Output Driver Supply (±5%)	3.30	V
Z <sub>OUT</sub>	Driver Impedance	10	Ω
R <sub>S</sub>	Driver Series Resistor (±1%)	93	Ω
R <sub>P</sub>	Driver Parallel Resistor (±1%)	196	Ω
R <sub>T</sub>	Receiver Termination (±1%)	100	Ω
V <sub>OH</sub>	Output High Voltage	2.05	V
V <sub>OL</sub>	Output Low Voltage	1.25	V
V <sub>OD</sub>	Output Differential Voltage	0.80	V
V <sub>CM</sub>	Output Common Mode Voltage	1.65	V
Z <sub>BACK</sub>	Back Impedance	100.5	Ω
I <sub>DC</sub>	DC Output Current	12.11	mA

**Note:**

1. For input buffer, see Table 3.13.

### 3.14.7. MLVDS25

The ECP5/ECP5-5G devices support the differential MLVDS standard. This standard is emulated using complementary LVCMOS outputs in conjunction with a parallel resistor across the driver outputs. The MLVDS input standard is supported by the LVDS differential input buffer. The scheme shown in Figure 3.4 is one possible solution for MLVDS standard implementation. Resistor values in the figure are industry standard values for 1% resistors.

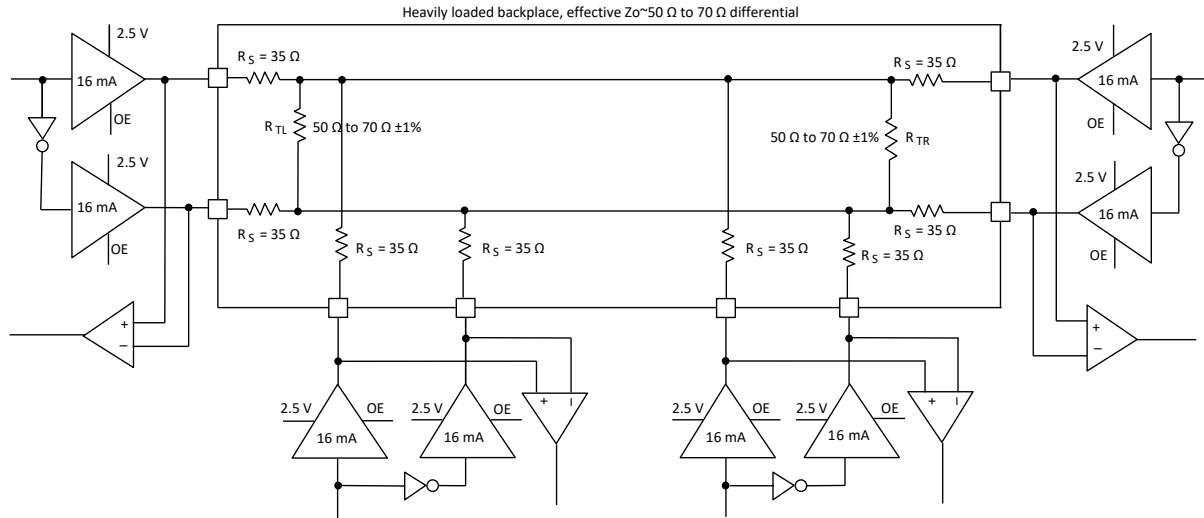


Figure 3.4. MLVDS25 (Multipoint Low Voltage Differential Signaling)

Table 3.17. MLVDS25 DC Conditions

Parameter	Description	Typical		Unit
		Zo=50 Ω	Zo=70 Ω	
V <sub>CCIO</sub>	Output Driver Supply (±5%)	2.50	2.50	V
Z <sub>OUT</sub>	Driver Impedance	10.00	10.00	Ω
R <sub>S</sub>	Driver Series Resistor (±1%)	35.00	35.00	Ω
R <sub>TL</sub>	Driver Parallel Resistor (±1%)	50.00	70.00	Ω
R <sub>TR</sub>	Receiver Termination (±1%)	50.00	70.00	Ω
V <sub>OH</sub>	Output High Voltage	1.52	1.60	V
V <sub>OL</sub>	Output Low Voltage	0.98	0.90	V
V <sub>OD</sub>	Output Differential Voltage	0.54	0.70	V
V <sub>CM</sub>	Output Common Mode Voltage	1.25	1.25	V
I <sub>DC</sub>	DC Output Current	21.74	20.00	mA

**Note:**

1. For input buffer, see Table 3.13.

### 3.14.8. SLVS

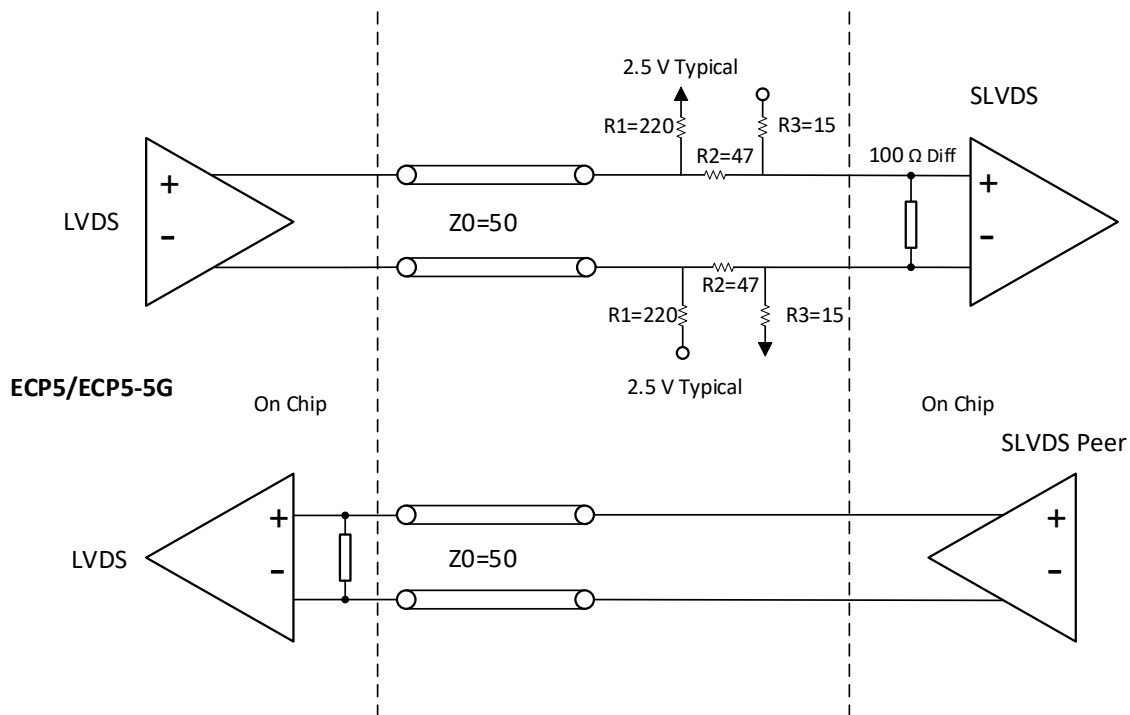
Scalable Low-Voltage Signaling (SLVS) is based on a point-to-point signaling method defined in the JEDEC JESD8-13 (SLVS-400) standard. This standard evolved from the traditional LVDS standard and relies on the advantage of its use of smaller voltage swings and a lower common-mode voltage. The 200 mV (400 mV p-p) SLVS swing contributes to a reduction in power.

The ECP5/ECP5-5G devices can receive differential input up to 800 Mb/s with its LVDS input buffer. This LVDS input buffer is used to meet the SLVS input standard specified by the JEDEC standard. The SLVS output parameters are compared to ECP5/ECP5-5G LVDS input parameters, as listed in [Table 3.18](#).

**Table 3.18. Input to SLVS**

Parameter	ECP5/ECP5-5G LVDS Input	SLVS Output	Unit
V <sub>cm</sub> (min)	50	150	mV
V <sub>cm</sub> (max)	2350	250	mV
Differential Voltage (min)	100	140	mV
Differential Voltage (max)	—	270	mV

ECP5/ECP5-5G does not support SLVS output. However, SLVS output can be created using ECP5/ECP5-5G LVDS outputs by level shift to meet the low V<sub>cm</sub>/V<sub>od</sub> levels required by SLVS. [Figure 3.5](#) shows how the LVDS output can be shifted external to meet SLVS levels.



**Figure 3.5. SLVS Interface**

### 3.15. Typical Building Block Function Performance

**Table 3.19. Pin-to-Pin Performance**

Function	-8 Timing	Unit
<b>Basic Functions</b>		
16-Bit Decoder	5.06	ns
32-Bit Decoder	6.08	ns
64-Bit Decoder	5.06	ns
4:1 Mux	4.45	ns
8:1 Mux	4.63	ns
16:1 Mux	4.81	ns
32:1 Mux	4.85	ns

**Notes:**

1. I/Os are configured with LVCMOS25 with  $V_{CCIO}=2.5$ , 12 mA drive.
2. These functions were generated using Lattice Diamond design software tool. Exact performance may vary with the device and the design software tool version. The design software tool uses internal parameters that have been characterized but are not tested on every device.
3. Commercial timing numbers are shown. Industrial numbers are typically slower and can be extracted from Lattice Diamond design software tool.

**Table 3.20. Register-to-Register Performance**

Function	-8 Timing	Unit
<b>Basic Functions</b>		
16-Bit Decoder	441	MHz
32-Bit Decoder	441	MHz
64-Bit Decoder	332	MHz
4:1 Mux	441	MHz
8:1 Mux	441	MHz
16:1 Mux	441	MHz
32:1 Mux	441	MHz
8-Bit Adder	441	MHz
16-Bit Adder	441	MHz
64-Bit Adder	441	MHz
16-Bit Counter	384	MHz
32-Bit Counter	317	MHz
64-Bit Counter	263	MHz
64-Bit Accumulator	288	MHz
<b>Embedded Memory Functions</b>		
1024x18 True-Dual Port RAM (Write Through or Normal), with EBR Output Registers	272	MHz
1024x18 True-Dual Port RAM (Read-Before-Write), with EBR Output Registers	214	MHz
<b>Distributed Memory Functions</b>		
16 x 2 Pseudo-Dual Port or 16 x 4 Single Port RAM (One PFU)	441	MHz
16 x 4 Pseudo-Dual Port (Two PFUs)	441	MHz
<b>DSP Functions</b>		
9 x 9 Multiplier (All Registers)	225	MHz
18 x 18 Multiplier (All Registers)	225	MHz
36 x 36 Multiplier (All Registers)	225	MHz



Function	-8 Timing	Unit
18 × 18 Multiply-Add/Sub (All Registers)	225	MHz
18 × 18 Multiply/Accumulate (Input and Output Registers)	225	MHz

**Notes:**

- These functions were generated using Lattice Diamond design software tool. Exact performance may vary with the device and the design software tool version. The design software tool uses internal parameters that have been characterized but are not tested on every device.
- Commercial timing numbers are shown. Industrial numbers are typically slower and can be extracted from Lattice Diamond design software tool.

### 3.16. Derating Timing Tables

Logic timing provided in the following sections of this data sheet and the Diamond design tools are worst case numbers in the operating range. Actual delays at nominal temperature and voltage for best case process, can be much better than the values given in the tables. The Diamond design tool can provide logic timing numbers at a particular temperature and voltage.

### 3.17. Maximum I/O Buffer Speed

Over recommended operating conditions.

**Table 3.21. ECP5/ECP5-5G Maximum I/O Buffer Speed**

Buffer	Description	Max	Unit
<b>Maximum Input Frequency</b>			
LVDS25	LVDS, $V_{CCIO} = 2.5\text{ V}$	400	MHz
MLVDS25	MLVDS, Emulated, $V_{CCIO} = 2.5\text{ V}$	400	MHz
BLVDS25	BLVDS, Emulated, $V_{CCIO} = 2.5\text{ V}$	400	MHz
MIPI D-PHY (HS Mode)	MIPI Video	400	MHz
SLVS	SLVS similar to MIPI	400	MHz
Mini LVDS	Mini LVDS	400	MHz
LVPECL33	LVPECL, Emulated, $V_{CCIO} = 3.3\text{ V}$	400	MHz
SSTL18 (all supported classes)	SSTL_18 class I, II, $V_{CCIO} = 1.8\text{ V}$	400	MHz
SSTL15 (all supported classes)	SSTL_15 class I, II, $V_{CCIO} = 1.5\text{ V}$	400	MHz
SSTL135 (all supported classes)	SSTL_135 class I, II, $V_{CCIO} = 1.35\text{ V}$	400	MHz
HSUL12 (all supported classes)	HSUL_12 class I, II, $V_{CCIO} = 1.2\text{ V}$	400	MHz
LVTTL33	LVTTL, $V_{CCIO} = 3.3\text{ V}$	200	MHz
LVC MOS33	LVC MOS, $V_{CCIO} = 3.3\text{ V}$	200	MHz
LVC MOS25	LVC MOS, $V_{CCIO} = 2.5\text{ V}$	200	MHz
LVC MOS18	LVC MOS, $V_{CCIO} = 1.8\text{ V}$	200	MHz
LVC MOS15	LVC MOS 1.5, $V_{CCIO} = 1.5\text{ V}$	200	MHz
LVC MOS12	LVC MOS 1.2, $V_{CCIO} = 1.2\text{ V}$	200	MHz
<b>Maximum Output Frequency</b>			
LVDS25E	LVDS, Emulated, $V_{CCIO} = 2.5\text{ V}$	150	MHz
LVDS25	LVDS, $V_{CCIO} = 2.5\text{ V}$	400	MHz
MLVDS25	MLVDS, Emulated, $V_{CCIO} = 2.5\text{ V}$	150	MHz
BLVDS25	BLVDS, Emulated, $V_{CCIO} = 2.5\text{ V}$	150	MHz
LVPECL33	LVPECL, Emulated, $V_{CCIO} = 3.3\text{ V}$	150	MHz
SSTL18 (all supported classes)	SSTL_18 class I, II, $V_{CCIO} = 1.8\text{ V}$	400	MHz
SSTL15 (all supported classes)	SSTL_15 class I, II, $V_{CCIO} = 1.5\text{ V}$	400	MHz
SSTL135 (all supported classes)	SSTL_135 class I, II, $V_{CCIO} = 1.35\text{ V}$	400	MHz

Buffer	Description	Max	Unit
HSUL12 (all supported classes)	HSUL12 class I, II, $V_{CCIO} = 1.2\text{ V}$	400	MHz
LVTTTL33	LVTTTL, $V_{CCIO} = 3.3\text{ V}$	150	MHz
LVC MOS33 (For all drives)	LVC MOS, 3.3 V	150	MHz
LVC MOS25 (For all drives)	LVC MOS, 2.5 V	150	MHz
LVC MOS18 (For all drives)	LVC MOS, 1.8 V	150	MHz
LVC MOS15 (For all drives)	LVC MOS, 1.5 V	150	MHz
LVC MOS12 (For all drives)	LVC MOS, 1.2 V	150	MHz

**Notes:**

- These maximum speeds are characterized but not tested on every device.
- Maximum I/O speed for differential output standards emulated with resistors depends on the layout.
- LVC MOS timing is measured with the load specified in [Table 3.44](#).
- All speeds are measured at fast slew.
- Actual system operation may vary depending on user logic implementation.
- Maximum data rate equals two times the clock rate when utilizing DDR.
- MIPI D-PHY HS mode receiver runs 400 MHz as LVDS25. It may exceed  $\pm 0.15\text{ UI}$  setup/hold budget at data rate of  $\leq 1\text{ Gbps}$  MIPI Alliance Specification.

### 3.18. External Switching Characteristics

Over recommended commercial operating conditions.

**Table 3.22. ECP5/ECP5-5G External Switching Characteristics**

Parameter	Description	Device	-8		-7		-6		Unit
			Min	Max	Min	Max	Min	Max	
<b>Clocks</b>									
<b>Primary Clock</b>									
$f_{\text{MAX\_PRI}}$	Frequency for Primary Clock Tree	—	—	370	—	303	—	257	MHz
$t_{\text{W\_PRI}}$	Clock Pulse Width for Primary Clock	—	0.8	—	0.9	—	1.0	—	ns
$t_{\text{SKEW\_PRI}}$	Primary Clock Skew within a Device	—	—	420	—	462	—	505	ps
<b>Edge Clock</b>									
$f_{\text{MAX\_EDGE}}$	Frequency for Edge Clock Tree	—	—	400	—	350	—	312	MHz
$t_{\text{W\_EDGE}}$	Clock Pulse Width for Edge Clock	—	1.175	—	1.344	—	1.50	—	ns
$t_{\text{SKEW\_EDGE}}$	Edge Clock Skew within a Bank	—	—	160	—	180	—	200	ps
<b>Generic SDR Input</b>									
<b>General I/O Pin Parameters Using Dedicated Primary Clock Input without PLL</b>									
$t_{\text{CO}}$	Clock to Output - PIO Output Register	All Devices	—	5.4	—	6.1	—	6.8	ns
$t_{\text{SU}}$	Clock to Data Setup - PIO Input Register	All Devices	0	—	0	—	0	—	ns
$t_{\text{H}}$	Clock to Data Hold - PIO Input Register	All Devices	2.7	—	3	—	3.3	—	ns
$t_{\text{SU\_DEL}}$	Clock to Data Setup - PIO Input Register with Data Input Delay	All Devices	1.2	—	1.33	—	1.46	—	ns
$t_{\text{H\_DEL}}$	Clock to Data Hold - PIO Input Register with Data Input Delay	All Devices	0	—	0	—	0	—	ns
$f_{\text{MAX\_IO}}$	Clock Frequency of I/O and PFU Register	All Devices	—	400	—	350	—	312	MHz

Parameter	Description	Device	-8		-7		-6		Unit
			Min	Max	Min	Max	Min	Max	
<b>General I/O Pin Parameters Using Dedicated Primary Clock Input with PLL</b>									
t <sub>COPLL</sub>	Clock to Output - PIO Output Register	All Devices	—	3.5	—	3.8	—	4.1	ns
t <sub>SUPLL</sub>	Clock to Data Setup - PIO Input Register	All Devices	0.7	—	0.78	—	0.85	—	ns
t <sub>HPLL</sub>	Clock to Data Hold - PIO Input Register	All Devices	0.8	—	0.89	—	0.98	—	ns
t <sub>SU_DELPLL</sub>	Clock to Data Setup - PIO Input Register with Data Input Delay	All Devices	1.6	—	1.78	—	1.95	—	ns
t <sub>H_DELPLL</sub>	Clock to Data Hold - PIO Input Register with Data Input Delay	All Devices	0	—	0	—	0	—	ns
<b>Generic DDR Input</b>									
<b>Generic DDRX1 Inputs With Clock and Data Centered at Pin (GDDR1_RX.SCLK.Centered) Using PCLK Clock Input - Figure 3.6</b>									
t <sub>SU_GDDR1_centered</sub>	Data Setup Before CLK Input	All Devices	0.52	—	0.52	—	0.52	—	ns
t <sub>HD_GDDR1_centered</sub>	Data Hold After CLK Input	All Devices	0.52	—	0.52	—	0.52	—	ns
f <sub>DATA_GDDR1_centered</sub>	GDDR1 Data Rate	All Devices	—	500	—	500	—	500	Mb/s
f <sub>MAX_GDDR1_centered</sub>	GDDR1 CLK Frequency (SCLK)	All Devices	—	250	—	250	—	250	MHz
<b>Generic DDRX1 Inputs With Clock and Data Aligned at Pin (GDDR1_RX.SCLK.Aligned) Using PCLK Clock Input - Figure 3.7</b>									
t <sub>SU_GDDR1_aligned</sub>	Data Setup from CLK Input	All Devices	—	-0.55	—	-0.55	—	-0.55	ns + 1/2 UI
t <sub>HD_GDDR1_aligned</sub>	Data Hold from CLK Input	All Devices	0.55	—	0.55	—	0.55	—	ns + 1/2 UI
f <sub>DATA_GDDR1_aligned</sub>	GDDR1 Data Rate	All Devices	—	500	—	500	—	500	Mb/s
f <sub>MAX_GDDR1_aligned</sub>	GDDR1 CLK Frequency (SCLK)	All Devices	—	250	—	250	—	250	MHz
<b>Generic DDRX2 Inputs With Clock and Data Centered at Pin (GDDR2_RX.ECLK.Centered) Using PCLK Clock Input, Left and Right sides Only - Figure 3.6</b>									
t <sub>SU_GDDR2_centered</sub>	Data Setup before CLK Input	All Devices	0.321	—	0.403	—	0.471	—	ns
t <sub>HD_GDDR2_centered</sub>	Data Hold after CLK Input	All Devices	0.321	—	0.403	—	0.471	—	ns
f <sub>DATA_GDDR2_centered</sub>	GDDR2 Data Rate	All Devices	—	800	—	655.8	—	555.6	Mb/s
f <sub>MAX_GDDR2_centered</sub>	GDDR2 CLK Frequency (ECLK)	All Devices	—	400	—	327.9	—	277.8	MHz
<b>Generic DDRX2 Inputs With Clock and Data Aligned at Pin (GDDR2_RX.ECLK.Aligned) Using PCLK Clock Input, Left and Right sides Only - Figure 3.7</b>									
t <sub>SU_GDDR2_aligned</sub>	Data Setup from CLK Input	All Devices	—	-0.344	—	-0.42	—	-0.495	ns + 1/2 UI
t <sub>HD_GDDR2_aligned</sub>	Data Hold from CLK Input	All Devices	0.344	—	0.42	—	0.495	—	ns + 1/2 UI
f <sub>DATA_GDDR2_aligned</sub>	GDDR2 Data Rate	All Devices	—	800	—	700	—	624	Mb/s
f <sub>MAX_GDDR2_aligned</sub>	GDDR2 CLK Frequency (ECLK)	All Devices	—	400	—	350	—	312	MHz

Parameter	Description	Device	-8		-7		-6		Unit
			Min	Max	Min	Max	Min	Max	
<b>Video DDRX71 Inputs With Clock and Data Aligned at Pin (GDDR71_RX.ECLK) Using PLL Clock Input, Left and Right sides Only <a href="#">Figure 3.11</a></b>									
t <sub>SU_LVDS71_i</sub>	Data Setup from CLK Input (bit i)	All Devices	—	-0.271	—	-0.39	—	-0.41	ns+(1/2+i) × UI
t <sub>HD_LVDS71_i</sub>	Data Hold from CLK Input (bit i)	All Devices	0.271	—	0.39	—	0.41	—	ns+(1/2+i) × UI
f <sub>DATA_LVDS71</sub>	DDR71 Data Rate	All Devices	—	756	—	620	—	525	Mb/s
f <sub>MAX_LVDS71</sub>	DDR71 CLK Frequency (ECLK)	All Devices	—	378	—	310	—	262.5	MHz
<b>Generic DDR Output</b>									
<b>Generic DDRX1 Outputs With Clock and Data Centered at Pin (GDDR1_TX.SCLK.Centered) Using PCLK Clock Input – <a href="#">Figure 3.6</a></b>									
t <sub>DVB_GDDR1_centered</sub>	Data Output Valid before CLK Output	All Devices	-0.67	—	-0.67	—	-0.67	—	ns + 1/2 UI
t <sub>DVA_GDDR1_centered</sub>	Data Output Valid after CLK Output	All Devices	-0.67	—	-0.67	—	-0.67	—	ns + 1/2 UI
f <sub>DATA_GDDR1_centered</sub>	GDDR1 Data Rate	All Devices	—	500	—	500	—	500	Mb/s
f <sub>MAX_GDDR1_centered</sub>	GDDR1 CLK Frequency (SCLK)	All Devices	—	250	—	250	—	250	MHz
<b>Generic DDRX1 Outputs With Clock and Data Aligned at Pin (GDDR1_TX.SCLK.Aligned) Using PCLK Clock Input – <a href="#">Figure 3.9</a></b>									
t <sub>DIB_GDDR1_aligned</sub>	Data Output Invalid before CLK Output	All Devices	-0.3	—	-0.3	—	-0.3	—	ns
t <sub>DIA_GDDR1_aligned</sub>	Data Output Invalid after CLK Output	All Devices	—	0.3	—	0.3	—	0.3	ns
f <sub>DATA_GDDR1_aligned</sub>	GDDR1 Data Rate	All Devices	—	500	—	500	—	500	Mb/s
f <sub>MAX_GDDR1_aligned</sub>	GDDR1 CLK Frequency (SCLK)	All Devices	—	250	—	250	—	250	MHz
<b>Generic DDRX2 Outputs With Clock and Data Centered at Pin (GDDR2_TX.ECLK.Centered) Using PCLK Clock Input, Left and Right sides Only – <a href="#">Figure 3.8</a></b>									
t <sub>DVB_GDDR2_centered</sub>	Data Output Valid Before CLK Output	All Devices	-0.442	—	-0.56	—	-0.676	—	ns + 1/2 UI
t <sub>DVA_GDDR2_centered</sub>	Data Output Valid After CLK Output	All Devices	—	0.442	—	0.56	—	0.676	ns + 1/2 UI
f <sub>DATA_GDDR2_centered</sub>	GDDR2 Data Rate	All Devices	—	800	—	700	—	624	Mb/s
f <sub>MAX_GDDR2_centered</sub>	GDDR2 CLK Frequency (ECLK)	All Devices	—	400	—	350	—	312	MHz
<b>Generic DDRX2 Outputs With Clock and Data Aligned at Pin (GDDR2_TX.ECLK.Aligned) Using PCLK Clock Input, Left and Right sides Only – <a href="#">Figure 3.9</a></b>									
t <sub>DIB_GDDR2_aligned</sub>	Data Output Invalid before CLK Output	All Devices	-0.16	—	-0.18	—	-0.2	—	ns
t <sub>DIA_GDDR2_aligned</sub>	Data Output Invalid after CLK Output	All Devices	—	0.16	—	0.18	—	0.2	ns
f <sub>DATA_GDDR2_aligned</sub>	GDDR2 Data Rate	All Devices	—	800	—	700	—	624	Mb/s
f <sub>MAX_GDDR2_aligned</sub>	GDDR2 CLK Frequency (ECLK)	All Devices	—	400	—	350	—	312	MHz
<b>Video DDRX71 Outputs With Clock and Data Aligned at Pin (GDDR71_TX.ECLK) Using PLL Clock Input, Left and Right sides Only – <a href="#">Figure 3.12</a></b>									
t <sub>DIB_LVDS71_i</sub>	Data Output Invalid before CLK Output	All Devices	-0.16	—	-0.18	—	-0.2	—	ns + (i) × UI
t <sub>DIA_LVDS71_i</sub>	Data Output Invalid after CLK Output	All Devices	—	0.16	—	0.18	—	0.2	ns + (i) × UI
f <sub>DATA_LVDS71</sub>	DDR71 Data Rate	All Devices	—	756	—	620	—	525	Mb/s
f <sub>MAX_LVDS71</sub>	DDR71 CLK Frequency (ECLK)	All Devices	—	378	—	310	—	262.5	MHz

Parameter	Description	Device	-8		-7		-6		Unit
			Min	Max	Min	Max	Min	Max	
<b>Memory Interface</b>									
<b>DDR2/DDR3/DDR3L/LPDDR2/LPDDR3 READ (DQ Input Data are Aligned to DQS)</b>									
t <sub>DVBDQ_DDR2</sub> t <sub>DVBDQ_DDR3</sub> t <sub>DVBDQ_DDR3L</sub> t <sub>DVBDQ_LPDDR2</sub> t <sub>DVBDQ_LPDDR3</sub>	Data Output Valid before DQS Input	All Devices	—	-0.26	—	-0.317	—	-0.374	ns + 1/2 UI
t <sub>DVADQ_DDR2</sub> t <sub>DVADQ_DDR3</sub> t <sub>DVADQ_DDR3L</sub> t <sub>DVADQ_LPDDR2</sub> t <sub>DVADQ_LPDDR3</sub>	Data Output Valid after DQS Input	All Devices	0.26	—	0.317	—	0.374	—	ns + 1/2 UI
f <sub>DATA_DDR2</sub> f <sub>DATA_DDR3</sub> f <sub>DATA_DDR3L</sub> f <sub>DATA_LPDDR2</sub> f <sub>DATA_LPDDR3</sub>	DDR Memory Data Rate	All Devices	—	800	—	700	—	624	Mb/s
f <sub>MAX_DDR2</sub> f <sub>MAX_DDR3</sub> f <sub>MAX_DDR3L</sub> f <sub>MAX_LPDDR2</sub> f <sub>MAX_LPDDR3</sub>	DDR Memory CLK Frequency (ECLK)	All Devices	—	400	—	350	—	312	MHz
<b>DDR2/DDR3/DDR3L/LPDDR2/LPDDR3 WRITE (DQ Output Data are Centered to DQS)</b>									
t <sub>DQVBS_DDR2</sub> t <sub>DQVBS_DDR3</sub> t <sub>DQVBS_DDR3L</sub> t <sub>DQVBS_LPDDR2</sub> t <sub>DQVBS_LPDDR3</sub>	Data Output Valid before DQS Output	All Devices	—	-0.25	—	-0.25	—	-0.25	UI
t <sub>DQVAS_DDR2</sub> t <sub>DQVAS_DDR3</sub> t <sub>DQVAS_DDR3L</sub> t <sub>DQVAS_LPDDR2</sub> t <sub>DQVAS_LPDDR3</sub>	Data Output Valid after DQS Output	All Devices	0.25	—	0.25	—	0.25	—	UI
f <sub>DATA_DDR2</sub> f <sub>DATA_DDR3</sub> f <sub>DATA_DDR3L</sub> f <sub>DATA_LPDDR2</sub> f <sub>DATA_LPDDR3</sub>	DDR Memory Data Rate	All Devices	—	800	—	700	—	624	Mb/s
f <sub>MAX_DDR2</sub> f <sub>MAX_DDR3</sub> f <sub>MAX_DDR3L</sub> f <sub>MAX_LPDDR2</sub> f <sub>MAX_LPDDR3</sub>	DDR Memory CLK Frequency (ECLK)	All Devices	—	400	—	350	—	312	MHz

**Notes:**

- Commercial timing numbers are shown. Industrial numbers are typically slower and can be extracted from the Diamond software.
- General I/O timing numbers are based on LVCMOS 2.5, 12 mA, Fast Slew Rate, 0pf load.
- Generic DDR timing are numbers based on LVDS I/O.
- DDR2 timing numbers are based on SSTL18.
- DDR3 timing numbers are based on SSTL15.
- LPDDR2 and LPDDR3 timing numbers are based on HSUL12.
- Uses LVDS I/O standard for measurements.
- Maximum clock frequencies are tested under best case conditions. System performance may vary upon the user environment.
- All numbers are generated with the Diamond software.

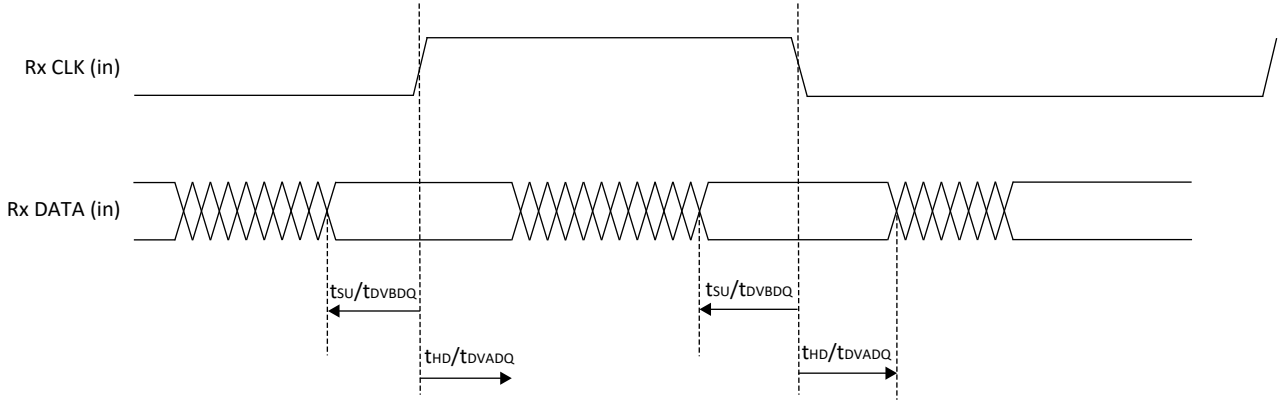


Figure 3.6. Receiver RX.CLK.Centered Waveforms

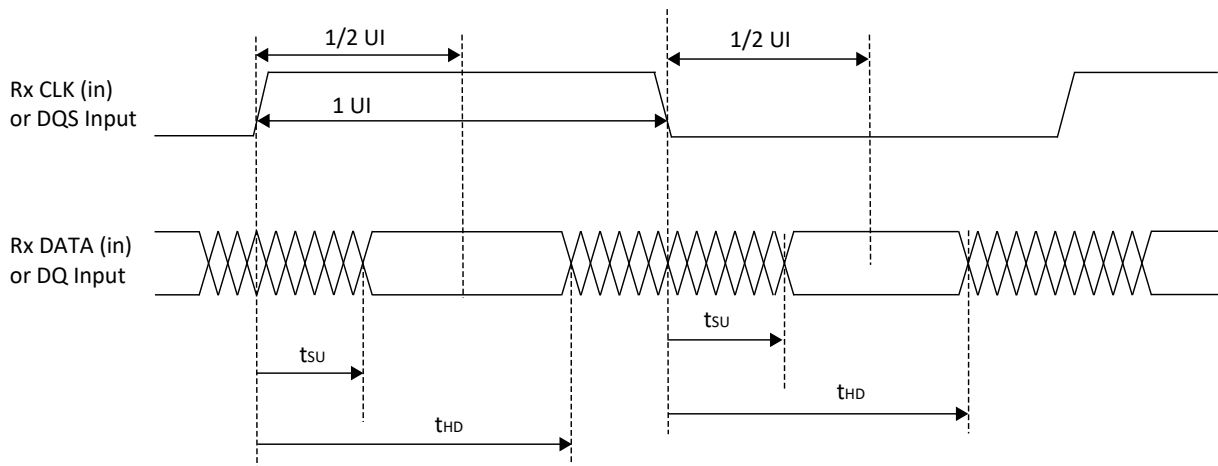


Figure 3.7. Receiver RX.CLK.Aligned and DDR Memory Input Waveforms

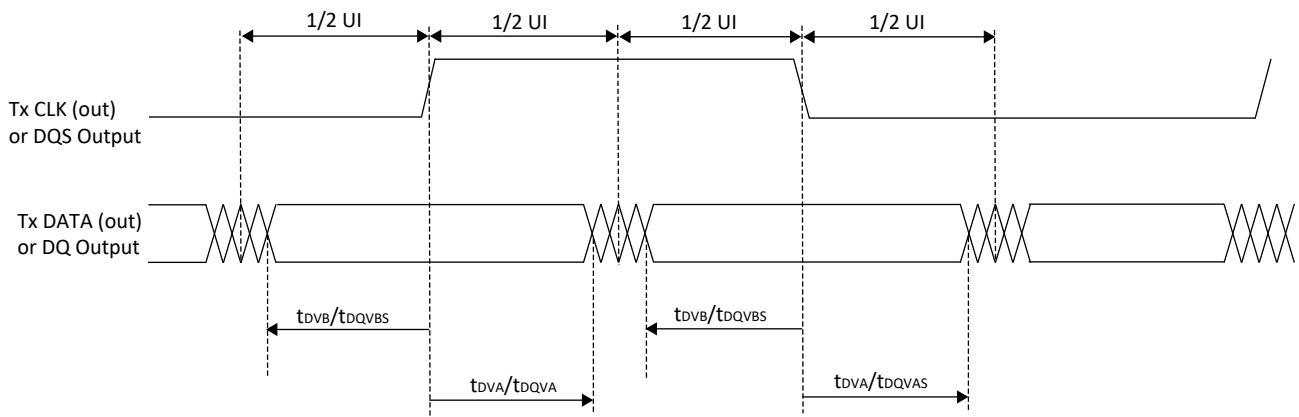


Figure 3.8. Transmit TX.CLK.Centered and DDR Memory Output Waveforms

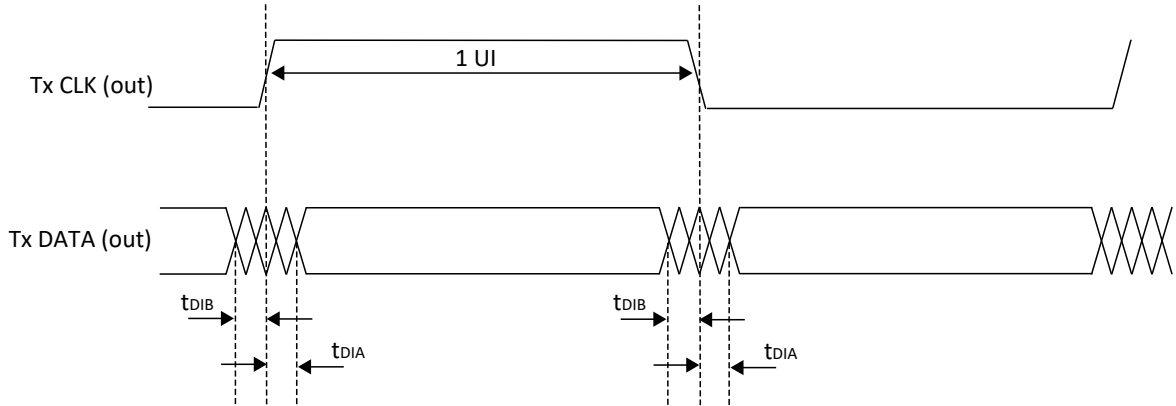
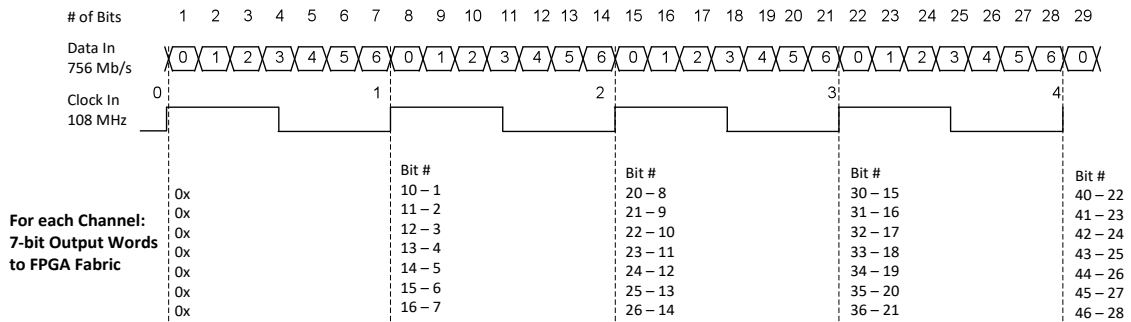


Figure 3.9. Transmit TX.CLK.Aligned Waveforms

**Receiver – Shown for one LVDS Channel**



**Transmitter – Shown for one LVDS Channel**

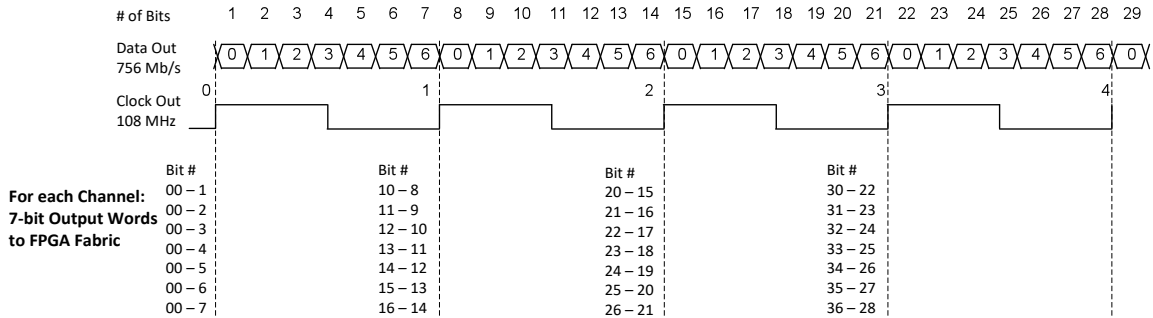


Figure 3.10. DDRX71 Video Timing Waveforms

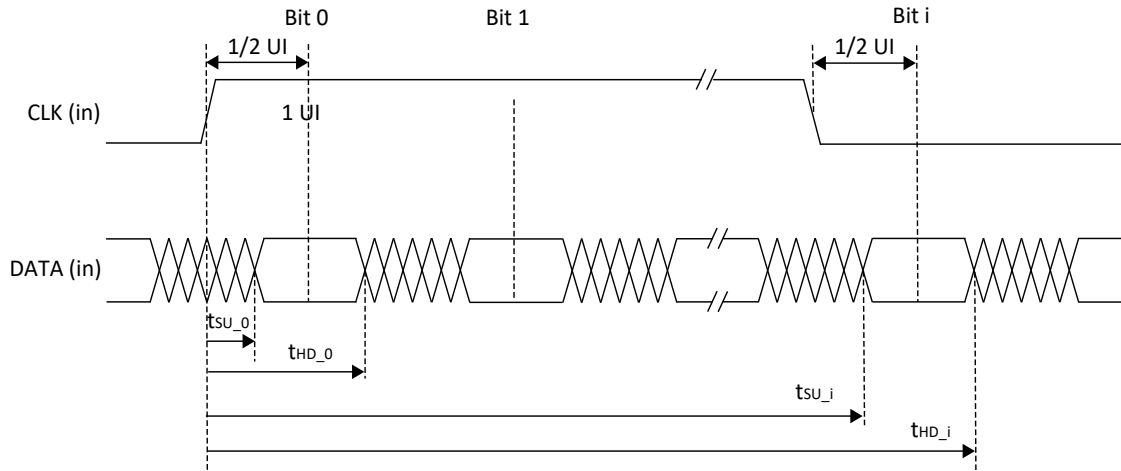


Figure 3.11. Receiver DDRX71\_RX Waveforms

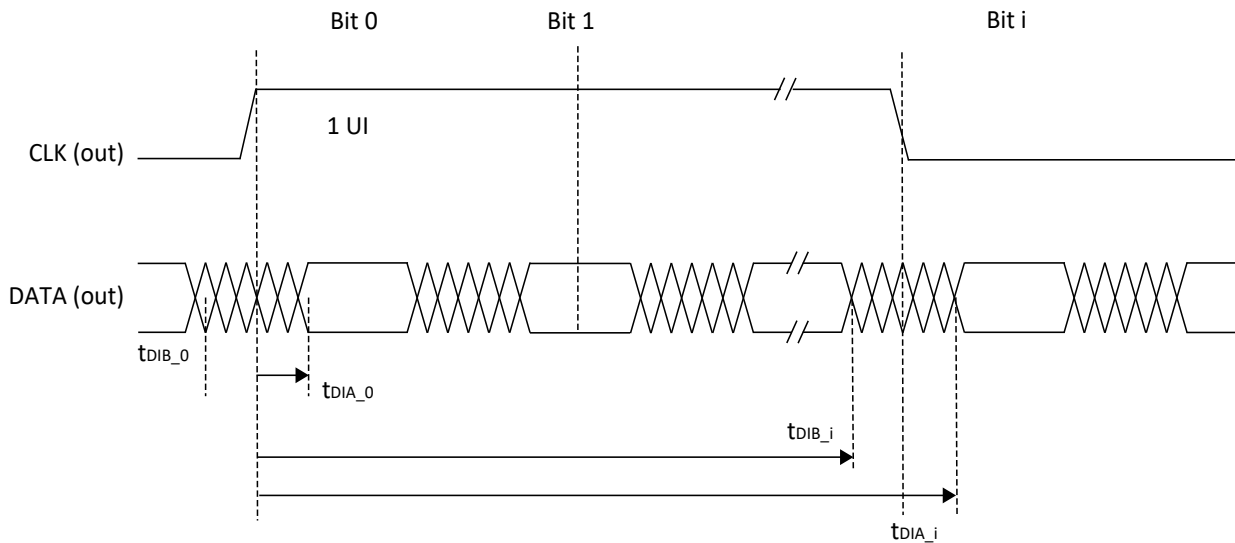


Figure 3.12. Transmitter DDRX71\_TX Waveforms

### 3.19. sysCLOCK PLL Timing

Over recommended operating conditions.

Table 3.23. sysCLOCK PLL Timing

Parameter	Descriptions	Conditions	Min	Max	Units
$f_{IN}$	Input Clock Frequency (CLKI, CLKFB)	—	8	400	MHz
$f_{OUT}$	Output Clock Frequency (CLKOP, CLKOS)	—	3.125	400	MHz
$f_{VCO}$	PLL VCO Frequency	—	400	800	MHz
$f_{PPFD}^3$	Phase Detector Input Frequency	—	10	400	MHz
<b>AC Characteristics</b>					
$t_{DT}$	Output Clock Duty Cycle	—	45	55	%
$t_{PH4}$	Output Phase Accuracy	—	-5	5	%
$t_{OPJIT}^1$	Output Clock Period Jitter	$f_{OUT} \geq 100$ MHz	—	100	ps p-p
		$f_{OUT} < 100$ MHz	—	0.025	UIPP
	Output Clock Cycle-to-Cycle Jitter	$f_{OUT} \geq 100$ MHz	—	200	ps p-p



Parameter	Descriptions	Conditions	Min	Max	Units
	Output Clock Phase Jitter	$f_{OUT} < 100$ MHz	—	0.050	UIPP
		$f_{PFD} \geq 100$ MHz	—	200	ps p-p
		$f_{PFD} < 100$ MHz	—	0.011	UIPP
$t_{SPO}$	Static Phase Offset	Divider ratio = integer	—	400	ps p-p
$t_w$	Output Clock Pulse Width	At 90% or 10%	0.9	—	ns
$t_{LOCK^2}$	PLL Lock-in Time	—	—	15	ms
$t_{UNLOCK}$	PLL Unlock Time	—	—	50	ns
$t_{PJIT}$	Input Clock Period Jitter	$f_{PFD} \geq 20$ MHz	—	1,000	ps p-p
		$f_{PFD} < 20$ MHz	—	0.02	UIPP
$t_{HI}$	Input Clock High Time	90% to 90%	0.5	—	ns
$t_{LO}$	Input Clock Low Time	10% to 10%	0.5	—	ns
$t_R$	Input Clock Rise Time	10% to 90%	—	1	ns
$t_F$	Input Clock Fall Time	90% to 10%	—	1	ns
$t_{RST}$	RST/ Pulse Width	—	1	—	ms
$t_{RSTREC}$	RST Recovery Time	—	1	—	ns
$t_{LOAD\_REG}$	Min Pulse for CIB_LOAD_REG	—	10	—	ns
$t_{ROTATE-SETUP}$	Min time for CIB dynamic phase controls to be stable fore CIB_ROTATE	—	5	—	ns
$t_{ROTATE-WD}$	Min pulse width for CIB_ROTATE to maintain 0 or 1	—	4	—	VCO cycles

**Notes:**

- Jitter sample is taken over 10,000 samples for Periodic jitter, and 2,000 samples for Cycle-to-Cycle jitter of the primary PLL output with clean reference clock with no additional I/O toggling.
- Output clock is valid after  $t_{LOCK}$  for PLL reset and dynamic delay adjustment.
- Period jitter and cycle-to-cycle jitter numbers are guaranteed for  $f_{PFD} > 10$  MHz. For  $f_{PFD} < 10$  MHz, the jitter numbers may not be met in certain conditions.

### 3.20. SerDes High-Speed Data Transmitter

**Table 3.24. Serial Output Timing and Levels**

Symbol	Description	Min	Typ	Max	Unit
$V_{TX-DIFF-PP}$	Peak-Peak Differential voltage on selected amplitude <sup>1, 2</sup>	-25%	—	25%	mV, p-p
$V_{TX-CM-DC}$	Output common mode voltage	—	$V_{CCHTX} / 2$	—	mV, p-p
$T_{TX-R}$	Rise time (20% to 80%)	50	—	—	ps
$T_{TX-F}$	Fall time (80% to 20%)	50	—	—	ps
$T_{TX-CM-AC-P}$	RMS AC peak common-mode output voltage	—	—	20	mV
$Z_{TX\_SE}$	Single ended output impedance for 50/75 $\Omega$	-20%	50/75	20%	$\Omega$
	Single ended output impedance for 6K $\Omega$	-25%	6K	25%	$\Omega$
$RL_{TX\_DIFF}$	Differential return loss (with package included) <sup>3</sup>	—	—	-10	dB
$RL_{TX\_COM}$	Common mode return loss (with package included) <sup>3</sup>	—	—	-6	dB

**Notes:**

- Measured with 50  $\Omega$  Tx Driver impedance at  $V_{CCHTX} \pm 5\%$ .
- Refer to [ECP5 and ECP5-5G SerDes/PCS Usage Guide \(FPGA-TN-02206\)](#) for settings of Tx amplitude.
- Return los = -10 dB (differential), -6 dB (common mode) for 100 MHz  $\leq f \leq$  1.6 GHz with 50  $\Omega$  output impedance configuration. This includes degradation due to package effects.

**Table 3.25. Channel Output Jitter**

Description	Frequency	Min	Typ	Max	Unit
Deterministic	5 Gb/s	—	—	TBD	UI, p-p
Random	5 Gb/s	—	—	TBD	UI, p-p
Total	5 Gb/s	—	—	TBD	UI, p-p
Deterministic	3.125 Gb/s	—	—	0.17	UI, p-p
Random	3.125 Gb/s	—	—	0.25	UI, p-p
Total	3.125 Gb/s	—	—	0.35	UI, p-p
Deterministic	2.5 Gb/s	—	—	0.17	UI, p-p
Random	2.5 Gb/s	—	—	0.20	UI, p-p
Total	2.5 Gb/s	—	—	0.35	UI, p-p
Deterministic	1.25 Gb/s	—	—	0.10	UI, p-p
Random	1.25 Gb/s	—	—	0.22	UI, p-p
Total	1.25 Gb/s	—	—	0.24	UI, p-p

**Notes:**

- Values are measured with PRBS 27-1, all channels operating, FPGA logic active, I/O around SerDes pins quiet, reference clock @ 10X mode.
- For ECP5-5G family devices only.

### 3.21. SerDes/PCS Block Latency

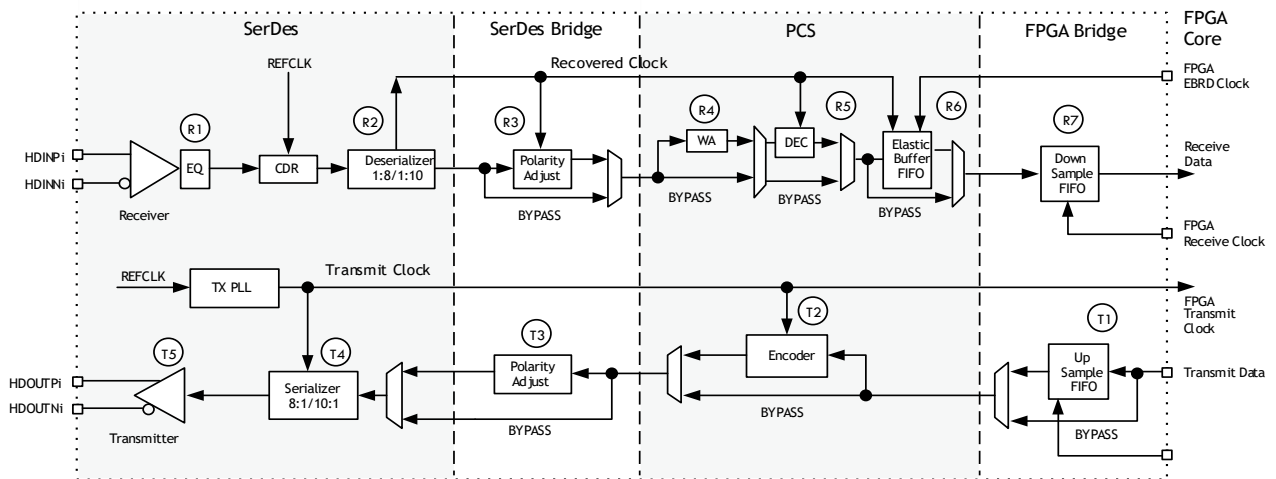
Table 3.26 describes the latency of each functional block in the transmitter and receiver. Latency is given in parallel clock cycles. Figure 3.13 shows the location of each block.

**Table 3.26. SerDes/PCS Latency Breakdown**

Item	Description	Min	Avg	Max	Fixed	Bypass	Unit <sup>3</sup>
<b>Transmit Data Latency<sup>1</sup></b>							
T1	FPGA Bridge – Gearing disabled with same clocks	3	—	4	—	1	byte clk
	FPGA Bridge – Gearing enabled	5	—	7	—	—	word clk
T2	8b10b Encoder	—	—	—	2	1	byte clk
T3	SerDes Bridge transmit	—	—	—	2	1	byte clk
T4	Serializer: 8-bit mode	—	—	—	15 + Δ1	—	UI + ps
	Serializer: 10-bit mode	—	—	—	18 + Δ1	—	UI + ps
T5	Pre-emphasis ON	—	—	—	1 + Δ2	—	UI + ps
	Pre-emphasis OFF	—	—	—	0 + Δ3	—	UI + ps
<b>Receive Data Latency<sup>2</sup></b>							
R1	Equalization ON	—	—	—	Δ1	—	UI + ps
	Equalization OFF	—	—	—	Δ2	—	UI + ps
R2	Deserializer: 8-bit mode	—	—	—	10 + Δ3	—	UI + ps
	Deserializer: 10-bit mode	—	—	—	12 + Δ3	—	UI + ps
R3	SerDes Bridge receive	—	—	—	2	—	byte clk
R4	Word alignment	3.1	—	4	—	1	byte clk
R5	8b10b decoder	—	—	—	1	0	byte clk
R6	Clock Tolerance Compensation	7	15	23	—	1	byte clk
R7	FPGA Bridge – Gearing disabled with same clocks	4	—	5	—	1	byte clk
	FPGA Bridge – Gearing enabled	7	—	9	—	—	word clk

**Notes:**

1. Δ1 = -245 ps, Δ2 = +88 ps, Δ3 = +112 ps.
2. Δ1 = +118 ps, Δ2 = +132 ps, Δ3 = +700 ps.
3. byte clk = 8 UI (8-bit mode), or 10 UI (10-bit mode); word clk = 16UI (8-bit mode), or 20 UI (10-bit mode).



**Figure 3.13. Transmitter and Receiver Latency Block Diagram**

### 3.22. SerDes High-Speed Data Receiver

**Table 3.27. Serial Input Data Specifications**

Symbol	Description	Min	Typ	Max	Unit
$V_{RX-DIFF-S}$	Differential input sensitivity	150	—	1760	mV, p-p
$V_{RX-IN}$	Input levels	0	—	$V_{CCA} + 0.5^2$	V
$V_{RX-CM-DCCM}$	Input common mode range (internal DC coupled mode)	0.6	—	$V_{CCA}$	V
$V_{RX-CM-ACCM}$	Input common mode range (internal AC coupled mode) <sup>2</sup>	0.1	—	$V_{CCA} + 0.2$	V
$T_{RX-RELOCK}$	SCDR re-lock time <sup>1</sup>	—	1000	—	Bits
$Z_{RX-TERM}$	Input termination 50/75 $\Omega$ /High Z	-20%	50/75/5 K	+20%	$\Omega$
$RL_{RX-RL}$	Return loss (without package)	—	—	-10	dB

**Notes:**

1. This is the typical number of bit times to re-lock to a new phase or frequency within  $\pm 300$  ppm, assuming 8b10b encoded data.
2. Up to 1.655 for ECP5, and 1.736 for ECP5-5G.

### 3.23. Input Data Jitter Tolerance

The ability of a receiver to tolerate incoming signal jitter is very dependent on jitter type. High speed serial interface standards have recognized the dependency on jitter type and have specifications to indicate tolerance levels for different jitter types as they relate to specific protocols. Sinusoidal jitter is considered to be a worst case jitter type.

**Table 3.28. Receiver Total Jitter Tolerance Specification**

Description	Frequency	Condition	Min	Typ	Max	Unit
Deterministic	5 Gb/s	400 mV differential eye	—	—	TBD	UI, p-p
Random		400 mV differential eye	—	—	TBD	UI, p-p
Total		400 mV differential eye	—	—	TBD	UI, p-p
Deterministic	3.125 Gb/s	400 mV differential eye	—	—	0.37	UI, p-p
Random		400 mV differential eye	—	—	0.18	UI, p-p
Total		400 mV differential eye	—	—	0.65	UI, p-p
Deterministic	2.5 Gb/s	400 mV differential eye	—	—	0.37	UI, p-p
Random		400 mV differential eye	—	—	0.18	UI, p-p
Total		400 mV differential eye	—	—	0.65	UI, p-p
Deterministic	1.25 Gb/s	400 mV differential eye	—	—	0.37	UI, p-p
Random		400 mV differential eye	—	—	0.18	UI, p-p
Total		400 mV differential eye	—	—	0.65	UI, p-p

**Notes:**

- Jitter tolerance measurements are done with protocol compliance tests: 3.125 Gb/s - XAUI Standard, 2.5 Gb/s – PCIe Standard, 1.25 Gb/s SGMII Standard.
- For ECP5-5G family devices only.

### 3.24. SerDes External Reference Clock

The external reference clock selection and its interface are a critical part of system applications for this product.

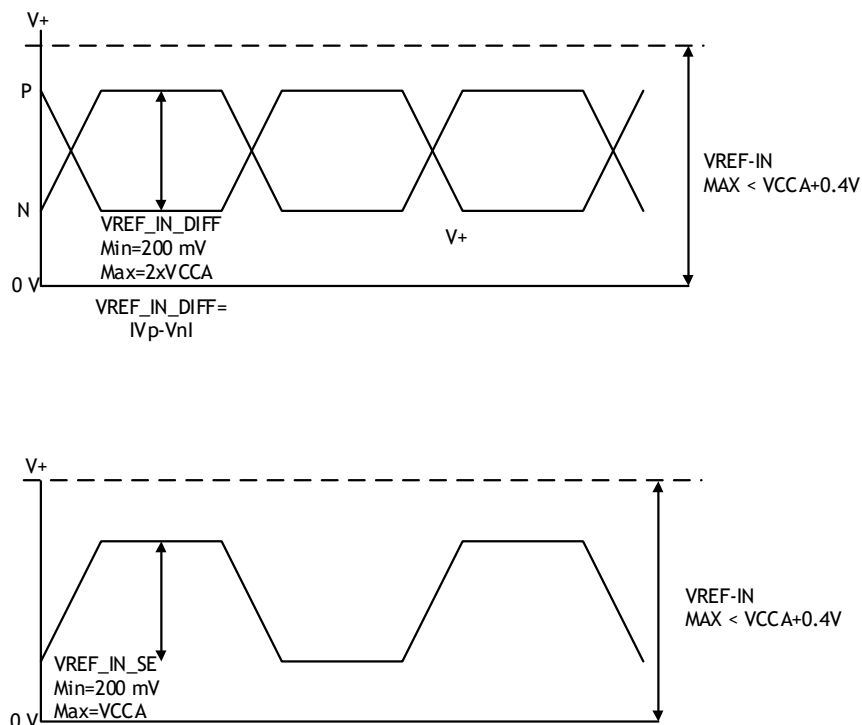
Table 3.29 specifies reference clock requirements, over the full range of operating conditions.

**Table 3.29. External Reference Clock Specification (refclkp/refclkn)**

Symbol	Description	Min	Type	Max	Unit
F <sub>REF</sub>	Frequency range	50	—	320	MHz
F <sub>REF-PPM</sub>	Frequency tolerance <sup>1</sup>	-1000	—	1000	ppm
V <sub>REF-IN-SE</sub>	Input swing, single-ended clock <sup>2,4</sup>	200	—	V <sub>CCA</sub>	mV, p-p
V <sub>REF-IN-DIFF</sub>	Input swing, differential clock	200	—	2 × V <sub>CCA</sub>	mV, p-p differential
V <sub>REF-IN</sub>	Input levels	0	—	V <sub>CCA</sub> + 0.4	V
D <sub>REF</sub>	Duty cycle <sup>3</sup>	40	—	60	%
T <sub>REF-R</sub>	Rise time (20% to 80%)	200	500	1000	ps
T <sub>REF-F</sub>	Fall time (80% to 20%)	200	500	1000	ps
Z <sub>REF-IN-TERM-DIFF</sub>	Differential input termination	-30%	100/HiZ	+30%	Ω
C <sub>REF-IN-CAP</sub>	Input capacitance	—	—	7	pF

**Notes:**

1. Depending on the application, the PLL\_LOL\_SET and CDR\_LOL\_SET control registers may be adjusted for other tolerance values as described in [ECP5 and ECP5-5G SerDes/PCS Usage Guide \(FPGA-TN-02206\)](#).
2. The signal swing for a single-ended input clock must be as large as the p-p differential swing of a differential input clock to get the same gain at the input receiver. With single-ended clock, a reference voltage needs to be externally connected to CLKREFN pin, and the input voltage needs to be swung around this reference voltage.
3. Measured at 50% amplitude.
4. Single-ended clocking is achieved by applying a reference voltage V<sub>REF</sub> on REFCLKN input, with the clock applied to REFCLKP input pin. V<sub>REF</sub> should be set to mid-point of the REFCLKP voltage swing.



**Figure 3.14. SerDes External Reference Clock Waveforms**

### 3.25. PCI Express Electrical and Timing Characteristics

#### 3.25.1. PCIe (2.5 Gb/s) AC and DC Characteristics

Over recommended operating conditions.

**Table 3.30. PCIe (2.5 Gb/s)**

Symbol	Description	Test Conditions	Min	Typ	Max	Unit
<b>Transmit<sup>1</sup></b>						
UI	Unit Interval	—	399.88	400	400.12	ps
V <sub>TX-DIFF_P-P</sub>	Differential peak-to-peak output	—	0.8	1.0	1.2	V
V <sub>TX-DE-RATIO</sub>	De-emphasis differential output voltage ratio	—	-3	-3.5	-4	dB
V <sub>TX-CM-AC_P</sub>	RMS AC peak common-mode output voltage	—	—	—	20	mV
V <sub>TX-RCV-DETECT</sub>	Amount of voltage change allowed during receiver detection	—	—	—	600	mV
V <sub>TX-CM-DC</sub>	Tx DC common mode voltage	—	0	—	V <sub>CCHTX</sub>	V
I <sub>TX-SHORT</sub>	Output short circuit current	V <sub>TX-D+=0.0 V</sub> V <sub>TX-D-=0.0 V</sub>	—	—	90	mA
Z <sub>TX-DIFF-DC</sub>	Differential output impedance	—	80	100	120	Ω
RL <sub>TX-DIFF</sub>	Differential return loss	—	10	—	—	dB
RL <sub>TX-CM</sub>	Common mode return loss	—	6.0	—	—	dB
T <sub>TX-RISE</sub>	Tx output rise time	20% to 80%	0.125	—	—	UI
T <sub>TX-FALL</sub>	Tx output fall time	20% to 80%	0.125	—	—	UI
L <sub>TX-SKEW</sub>	Lane-to-lane static output skew for all lanes in port/link	—	—	—	1.3	ns
T <sub>TX-EYE</sub>	Transmitter eye width	—	0.75	—	—	UI
T <sub>TX-EYE-MEDIAN-TO-MAX-JITTER</sub>	Maximum time between jitter median and maximum deviation from median	—	—	—	0.125	UI
<b>Receive<sup>1,2</sup></b>						
UI	Unit Interval	—	399.88	400	400.12	ps
V <sub>RX-DIFF_P-P</sub>	Differential peak-to-peak input voltage	—	0.34 <sup>3</sup>	—	1.2	V
V <sub>RX-IDLE-DET-DIFF_P-P</sub>	Idle detect threshold voltage	—	65	—	340 <sup>3</sup>	mV
V <sub>RX-CM-AC_P</sub>	RMS AC peak common-mode input voltage	—	—	—	150	mV
Z <sub>RX-DIFF-DC</sub>	DC differential input impedance	—	80	100	120	Ω
Z <sub>RX-DC</sub>	DC input impedance	—	40	50	60	Ω
Z <sub>RX-HIGH-IMP-DC</sub>	Power-down DC input impedance	—	200K	—	—	Ω
RL <sub>RX-DIFF</sub>	Differential return loss	—	10	—	—	dB
RL <sub>RX-CM</sub>	Common mode return loss	—	6.0	—	—	dB

**Notes:**

1. Values are measured at 2.5 Gb/s.
2. Measured with external AC-coupling on the receiver.
3. Not in compliance with PCI Express 1.1 standard.

### 3.25.2. PCIe (5 Gb/s) AC and DC Characteristics

Over recommended operating conditions.

**Table 3.31. PCIe (5 Gb/s)**

Symbol	Description	Test Conditions	Min	Typ	Max	Unit
<b>Transmit<sup>1</sup></b>						
UI	Unit Interval	—	199.94	200	200.06	ps
B <sub>WTX-PKG-PLL2</sub>	Tx PLL bandwidth corresponding to PKGTx-PLL2	—	5	—	16	MHz
P <sub>KGTX-PLL2</sub>	Tx PLL Peaking	—	—	—	1	dB
V <sub>TX-DIFF-PP</sub>	Differential p-p Tx voltage swing	—	0.8	—	1.2	V, p-p
V <sub>TX-DIFF-PP-LOW</sub>	Low power differential p-p Tx voltage swing	—	0.4	—	1.2	V, p-p
V <sub>TX-DE-RATIO-3.5dB</sub>	Tx de-emphasis level ratio at 3.5 dB	—	3	—	4	dB
V <sub>TX-DE-RATIO-6dB</sub>	Tx de-emphasis level ratio at 6 dB	—	5.5	—	6.5	dB
T <sub>MIN-PULSE</sub>	Instantaneous lone pulse width	—	—	—	—	UI
T <sub>TX-RISE-FALL</sub>	Transmitter rise and fall time	—	—	—	—	UI
T <sub>TX-EYE</sub>	Transmitter Eye, including all jitter sources	—	0.75	—	—	UI
T <sub>TX-DJ</sub>	Tx deterministic jitter > 1.5 MHz	—	—	—	0.15	UI
T <sub>TX-RJ</sub>	Tx RMS jitter < 1.5 MHz	—	—	—	3	ps, RMS
T <sub>RF-MISMATCH</sub>	Tx rise/fall time mismatch	—	—	—	—	UI
R <sub>LTX-DIFF</sub>	Tx Differential Return Loss, including package and silicon	50 MHz < freq < 1.25 GHz	10	—	—	dB
		1.25 GHz < freq < 2.5 GHz	8	—	—	dB
R <sub>LTX-CM</sub>	Tx Common Mode Return Loss, including package and silicon	50 MHz < freq < 2.5 GHz	6	—	—	dB
Z <sub>TX-DIFF-DC</sub>	DC differential Impedance	—	—	—	120	Ω
V <sub>TX-CM-AC-PP</sub>	Tx AC peak common mode voltage, peak-peak	—	—	—	—	mV, p-p
I <sub>TX-SHORT</sub>	Transmitter short-circuit current	—	—	—	90	mA
V <sub>TX-DC-CM</sub>	Transmitter DC common-mode voltage	—	0	—	1.2	V
V <sub>TX-IDLE-DIFF-DC</sub>	Electrical Idle Output DC voltage	—	0	—	5	mV
V <sub>TX-IDLE-DIFF-AC-p</sub>	Electrical Idle Differential Output peak voltage	—	—	—	—	mV
V <sub>TX-RCV-DETECT</sub>	Voltage change allowed during Receiver Detect	—	—	—	600	mV
T <sub>TX-IDLE-MIN</sub>	Min. time in Electrical Idle	—	20	—	—	ns
T <sub>TX-IDLE-SET-TO-IDLE</sub>	Max. time from EI Order Set to valid Electrical Idle	—	—	—	8	ns
T <sub>TX-IDLE-TO-DIFF-DATA</sub>	Max. time from Electrical Idle to valid differential output	—	—	—	8	ns
L <sub>TX-SKEW</sub>	Lane-to-lane output skew	—	—	—	—	ps
<b>Receive<sup>1,2</sup></b>						
UI	Unit Interval	—	199.94	200	200.06	ps
V <sub>RX-DIFF-PP</sub>	Differential Rx peak-peak voltage	—	0.34 <sup>3</sup>	—	1.2	V, p-p

Symbol	Description	Test Conditions	Min	Typ	Max	Unit
$T_{RX-RJ-RMS}$	Receiver random jitter tolerance (RMS)	1.5 MHz – 100 MHz Random noise	—	—	4.2	ps, RMS
$T_{RX-DJ}$	Receiver deterministic jitter tolerance	—	—	—	88	ps
$V_{RX-CM-AC}$	Common mode noise from Rx	—	—	—		mV, p-p
$R_{LRX-DIFF}$	Receiver differential Return Loss, package plus silicon	50 MHz < freq < 1.25 GHz	10	—	—	dB
		1.25 GHz < freq < 2.5 GHz	8	—	—	dB
$R_{LRX-CM}$	Receiver common mode Return Loss, package plus silicon	—	6	—	—	dB
$Z_{RX-DC}$	Receiver DC single ended impedance	—	40	—	60	$\Omega$
$Z_{RX-HIGH-IMP-DC}$	Receiver DC single ended impedance when powered down	—	200K	—	—	$\Omega$
$V_{RX-CM-AC-P}$	Rx AC peak common mode voltage	—	—	—		mV, peak
$V_{RX-IDLE-DET-DIFF-PP}$	Electrical Idle Detect Threshold	—	65	—	340 <sup>3</sup>	mv, pp
$L_{RX-SKEW}$	Receiver lane-lane skew	—	—	—	8	ns

**Notes:**

1. Values are measured at 5 Gb/s.
2. Measured with external AC-coupling on the receiver.
3. Not in compliance with PCI Express standard.



### 3.26. CPRI LV2 E.48 Electrical and Timing Characteristics

**Table 3.32. CPRI LV2 E.48 Electrical and Timing Characteristics**

Symbol	Description	Test Conditions	Min	Typ	Max	Unit
<b>Transmit</b>						
UI	Unit Interval	—	203.43	203.45	203.47	ps
T <sub>DCD</sub>	Duty Cycle Distortion	—	—	—	0.05	UI
J <sub>UBHPJ</sub>	Uncorrelated Bounded High Probability Jitter	—	—	—	0.15	UI
J <sub>TOTAL</sub>	Total Jitter	—	—	—	0.3	UI
Z <sub>RX-DIFF-DC</sub>	DC differential Impedance	—	80	—	120	Ω
T <sub>SKEW</sub>	Skew between differential signals	—	—	—	9	ps
R <sub>LTX-DIFF</sub>	Tx Differential Return Loss (S22), including package and silicon	100 MHz < freq < 3.6864 GHz	—	—	–8	dB
		3.6864 GHz < freq < 4.9152 GHz	—	—	–8 + 16.6 × log (freq/3.6864)	dB
R <sub>LTX-CM</sub>	Tx Common Mode Return Loss, including package and silicon	100 MHz < freq < 3.6864 GHz	6	—	—	dB
I <sub>TX-SHORT</sub>	Transmitter short-circuit current	—	—	—	100	mA
T <sub>RISE_FALL-DIFF</sub>	Differential Rise and Fall Time	—	—	—	—	ps
L <sub>TX-SKEW</sub>	Lane-to-lane output skew	—	—	—	—	ps
<b>Receive</b>						
UI	Unit Interval	—	203.43	203.45	203.47	ps
V <sub>RX-DIFF-PP</sub>	Differential Rx peak-peak voltage	—	—	—	1.2	V, p-p
V <sub>RX-EYE_Y1_Y2</sub>	Receiver eye opening mask, Y1 and Y2	—	62.5	—	375	mV, diff
V <sub>RX-EYE_X1</sub>	Receiver eye opening mask, X1	—	—	—	0.3	UI
T <sub>RX-TJ</sub>	Receiver total jitter tolerance (not including sinusoidal)	—	—	—	0.6	UI
R <sub>LRX-DIFF</sub>	Receiver differential Return Loss, package plus silicon	100 MHz < freq < 3.6864 GHz	—	—	–8	dB
		3.6864 GHz < freq < 4.9152 GHz	—	—	–8 + 16.6 × log (freq/3.6864)	dB
R <sub>LRX-CM</sub>	Receiver common mode Return Loss, package plus silicon	—	6	—	—	dB
Z <sub>RX-DIFF-DC</sub>	Receiver DC differential impedance	—	80	100	120	Ω

**Note:**

1. Data is measured with PRBS7 data pattern, not with PRBS-31 pattern.

## 3.27. XAUI/CPRI LV E.30 Electrical and Timing Characteristics

### 3.27.1. AC and DC Characteristics

Over recommended operating conditions.

**Table 3.33. Transmit**

Symbol	Description	Test Conditions	Min	Typ	Max	Unit
$T_{RF}$	Differential rise/fall time	20% to 80%	—	80	—	ps
$Z_{TX\_DIFF\_DC}$	Differential impedance	—	80	100	120	$\Omega$
$J_{TX\_DDJ}^{2,3}$	Output data deterministic jitter	—	—	—	0.17	UI
$J_{TX\_TJ}^{1,2,3}$	Total output data jitter	—	—	—	0.35	UI

**Notes:**

1. Total jitter includes both deterministic jitter and random jitter.
2. Jitter values are measured with each CML output AC coupled into a 50  $\Omega$  impedance (100  $\Omega$  differential impedance).
3. Jitter and skew are specified between differential crossings of the 50% threshold of the reference signal.

Over recommended operating conditions.

**Table 3.34. Receive and Jitter Tolerance**

Symbol	Description	Test Conditions	Min	Typ	Max	Unit
$RL_{RX\_DIFF}$	Differential return loss	From 100 MHz to 3.125 GHz	10	—	—	dB
$RL_{RX\_CM}$	Common mode return loss	From 100 MHz to 3.125 GHz	6	—	—	dB
$Z_{RX\_DIFF}$	Differential termination resistance	—	80	100	120	$\Omega$
$J_{RX\_DJ}^{1,2,3}$	Deterministic jitter tolerance (peak-to-peak)	—	—	—	0.37	UI
$J_{RX\_RJ}^{1,2,3}$	Random jitter tolerance (peak-to-peak)	—	—	—	0.18	UI
$J_{RX\_SJ}^{1,2,3}$	Sinusoidal jitter tolerance (peak-to-peak)	—	—	—	0.10	UI
$J_{RX\_TJ}^{1,2,3}$	Total jitter tolerance (peak-to-peak)	—	—	—	0.65	UI
$T_{RX\_EYE}$	Receiver eye opening	—	0.35	—	—	UI

**Notes:**

1. Total jitter includes deterministic jitter, random jitter and sinusoidal jitter.
2. Jitter values are measured with each high-speed input AC coupled into a 50  $\Omega$  impedance.
3. Jitter and skew are specified between differential crossings of the 50% threshold of the reference signal.

## 3.28. CPRI LV E.24/SGMII (2.5 Gbps) Electrical and Timing Characteristics

### 3.28.1. AC and DC Characteristics

**Table 3.35. Transmit**

Symbol	Description	Test Conditions	Min	Typ	Max	Unit
$T_{RF}^1$	Differential rise/fall time	20% to 80%	—	80	—	ps
$Z_{TX\_DIFF\_DC}$	Differential impedance	—	80	100	120	$\Omega$
$J_{TX\_DDJ}^{3,4}$	Output data deterministic jitter	—	—	—	0.17	UI
$J_{TX\_TJ}^{2,3,4}$	Total output data jitter	—	—	—	0.35	UI

**Notes:**

1. Rise and Fall times measured with board trace, connector and approximately 2.5 pf load.
2. Total jitter includes both deterministic jitter and random jitter. The random jitter is the total jitter minus the actual deterministic jitter.
3. Jitter values are measured with each CML output AC coupled into a 50  $\Omega$  impedance (100  $\Omega$  differential impedance).
4. Jitter and skew are specified between differential crossings of the 50% threshold of the reference signal.

**Table 3.36. Receive and Jitter Tolerance**

Symbol	Description	Test Conditions	Min	Typ	Max	Unit
RL <sub>RX_DIFF</sub>	Differential return loss	From 100 MHz to 2.5 GHz	10	—	—	dB
RL <sub>RX_CM</sub>	Common mode return loss	From 100 MHz to 2.5 GHz	6	—	—	dB
Z <sub>RX_DIFF</sub>	Differential termination resistance	—	80	100	120	Ω
J <sub>RX_DJ</sub> <sup>2, 3, 4</sup>	Deterministic jitter tolerance (peak-to-peak)	—	—	—	0.37	UI
J <sub>RX_RJ</sub> <sup>2, 3, 4</sup>	Random jitter tolerance (peak-to-peak)	—	—	—	0.18	UI
J <sub>RX_SJ</sub> <sup>2, 3, 4</sup>	Sinusoidal jitter tolerance (peak-to-peak)	—	—	—	0.10	UI
J <sub>RX_TJ</sub> <sup>1, 2, 3, 4</sup>	Total jitter tolerance (peak-to-peak)	—	—	—	0.65	UI
T <sub>RX_EYE</sub>	Receiver eye opening	—	0.35	—	—	UI

**Notes:**

- Total jitter includes deterministic jitter, random jitter and sinusoidal jitter.
- Jitter values are measured with each high-speed input AC coupled into a 50 Ω impedance.
- Jitter and skew are specified between differential crossings of the 50% threshold of the reference signal.
- Jitter tolerance, Differential Input Sensitivity and Receiver Eye Opening parameters are characterized when Full Rx Equalization is enabled.

## 3.29. Gigabit Ethernet/SGMII (1.25 Gbps)/CPRI LV E.12 Electrical and Timing Characteristics

### 3.29.1. AC and DC Characteristics

**Table 3.37. Transmit**

Symbol	Description	Test Conditions	Min	Typ	Max	Unit
T <sub>RF</sub>	Differential rise/fall time	20% to 80%	—	80	—	ps
Z <sub>TX_DIFF_DC</sub>	Differential impedance	—	80	100	120	Ω
J <sub>TX_DDJ</sub> <sup>2, 3</sup>	Output data deterministic jitter	—	—	—	0.10	UI
J <sub>TX_TJ</sub> <sup>1, 2, 3</sup>	Total output data jitter	—	—	—	0.24	UI

**Notes:**

- Total jitter includes both deterministic jitter and random jitter. The random jitter is the total jitter minus the actual deterministic jitter.
- Jitter values are measured with each CML output AC coupled into a 50 Ω impedance (100 Ω differential impedance).
- Jitter and skew are specified between differential crossings of the 50% threshold of the reference signal.

**Table 3.38. Receive and Jitter Tolerance**

Symbol	Description	Test Conditions	Min	Typ	Max	Unit
RL <sub>RX_DIFF</sub>	Differential return loss	From 100 MHz to 1.25 GHz	10	—	—	dB
RL <sub>RX_CM</sub>	Common mode return loss	From 100 MHz to 1.25 GHz	6	—	—	dB
Z <sub>RX_DIFF</sub>	Differential termination resistance	—	80	100	120	Ω
J <sub>RX_DJ</sub> <sup>1, 2, 3, 4</sup>	Deterministic jitter tolerance (peak-to-peak)	—	—	—	0.34	UI
J <sub>RX_RJ</sub> <sup>1, 2, 3, 4</sup>	Random jitter tolerance (peak-to-peak)	—	—	—	0.26	UI
J <sub>RX_SJ</sub> <sup>1, 2, 3, 4</sup>	Sinusoidal jitter tolerance (peak-to-peak)	—	—	—	0.11	UI
J <sub>RX_TJ</sub> <sup>1, 2, 3, 4</sup>	Total jitter tolerance (peak-to-peak)	—	—	—	0.71	UI
T <sub>RX_EYE</sub>	Receiver eye opening	—	0.29	—	—	UI

**Notes:**

- Total jitter includes deterministic jitter, random jitter and sinusoidal jitter.
- Jitter values are measured with each high-speed input AC coupled into a 50 Ω impedance.
- Jitter and skew are specified between differential crossings of the 50% threshold of the reference signal.
- Jitter tolerance, Differential Input Sensitivity and Receiver Eye Opening parameters are characterized when Full Rx Equalization is enabled.

### 3.30. SMPTE SD/HD-SDI/3G-SDI (Serial Digital Interface) Electrical and Timing Characteristics

#### 3.30.1. AC and DC Characteristics

**Table 3.39. Transmit**

Symbol	Description	Test Conditions	Min	Typ	Max	Unit
BR <sub>SDO</sub>	Serial data rate	—	270	—	2975	Mb/s
T <sub>JALIGNMENT</sub> <sup>2</sup>	Serial output jitter, alignment	270 Mb/s <sup>6</sup>	—	—	0.2	UI
T <sub>JALIGNMENT</sub> <sup>2</sup>	Serial output jitter, alignment	1485 Mb/s	—	—	0.2	UI
T <sub>JALIGNMENT</sub> <sup>1, 2</sup>	Serial output jitter, alignment	2970 Mb/s	—	—	0.3	UI
T <sub>JTIMING</sub>	Serial output jitter, timing	270 Mb/s <sup>6</sup>	—	—	0.2	UI
T <sub>JTIMING</sub>	Serial output jitter, timing	1485 Mb/s	—	—	1	UI
T <sub>JTIMING</sub>	Serial output jitter, timing	2970 Mb/s	—	—	2	UI

**Notes:**

1. Timing jitter is measured in accordance with SMPTE serial data transmission standards.
2. Jitter is defined in accordance with SMPTE RP1 184-1996 as: jitter at an equipment output in the absence of input jitter.
3. All Tx jitter are measured at the output of an industry standard cable driver, with the Lattice SerDes device configured to 50 Ω output impedance connecting to the external cable driver with differential signaling.
4. The cable driver drives: RL=75 Ω, AC-coupled at 270, 1485, or 2970 Mb/s.
5. All LFE5UM/LFE5UM5G devices are compliant with all SMPTE compliance tests, except 3G-SDI Level-A pathological compliance pattern test.
6. 270 Mb/s is supported with Rate Divider only.

**Table 3.40. Receive**

Symbol	Description	Test Conditions	Min	Typ	Max	Unit
BR <sub>SDI</sub>	Serial input data rate	—	270	—	2970	Mb/s

**Table 3.41. Reference Clock**

Symbol	Description	Test Conditions	Min	Typ	Max	Unit
F <sub>VCLK</sub>	Video output clock frequency	—	54	—	148.5	MHz
DC <sub>v</sub>	Duty cycle, video clock	—	45	50	55	%

**Note:**

1. SD-SDI (270 Mb/s) is supported with Rate Divider only. For Single Rate: Reference Clock = 54 MHz and Rate Divider = /2. For Tri-Rate: Reference Clock = 148.5 MHz and Rate Divider = /11.

### 3.31. sysCONFIG Port Timing Specifications

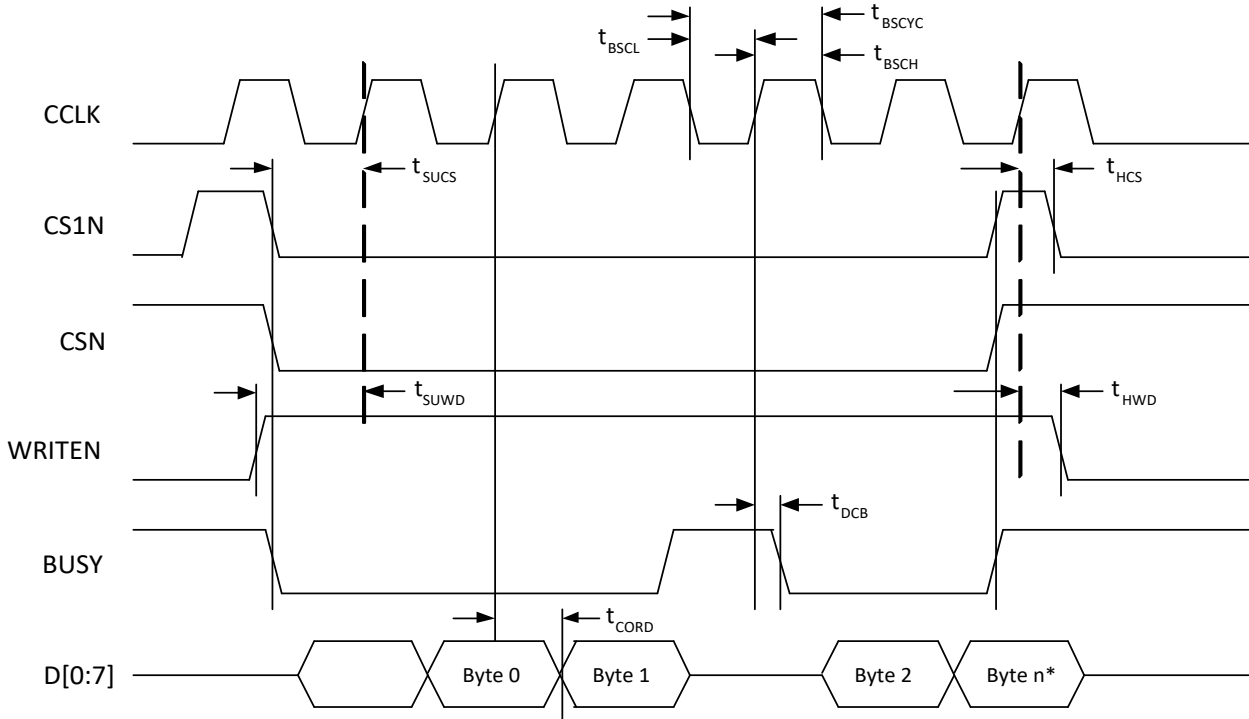
Over recommended operating conditions.

**Table 3.42. ECP5/ECP5-5G sysCONFIG Port Timing Specifications**

Symbol	Parameter		Min	Max	Unit
<b>POR, Configuration Initialization, and Wakeup</b>					
$t_{ICFG}$	Time from the Application of $V_{CC}$ , $V_{CCAUX}$ or $V_{CCIO8}$ (whichever is the last) to the rising edge of INITN	—	—	33	ms
$t_{VMC}$	Time from $t_{ICFG}$ to the valid Master CCLK	—	—	5	us
$t_{CZ}$	CCLK from Active to High-Z	—	—	300	ns
<b>Master CCLK</b>					
$f_{MCLK}$	Frequency	All selected frequencies	-20	20	%
$t_{MCLK-DC}$	Duty Cycle	All selected frequencies	40	60	%
<b>All Configuration Modes</b>					
$t_{PRGM}$	PROGRAMN LOW pulse accepted	—	110	—	ns
$t_{PRGMRJ}$	PROGRAMN LOW pulse rejected	—	—	50	ns
$t_{INITL}$	INITN LOW time	—	—	55	ns
$t_{DPPINT}$	PROGRAMN LOW to INITN LOW	—	—	70	ns
$t_{DPPDONE}$	PROGRAMN LOW to DONE LOW	—	—	80	ns
$t_{IODISS}$	PROGRAMN LOW to I/O Disabled	—	—	150	ns
<b>Slave SPI</b>					
$f_{CCLK}$	CCLK input clock frequency	—	—	60	MHz
$t_{CCLKH}$	CCLK input clock pulsewidth HIGH	—	6	—	ns
$t_{CCLKL}$	CCLK input clock pulsewidth LOW	—	6	—	ns
$t_{STSU}$	CCLK setup time	—	1	—	ns
$t_{STH}$	CCLK hold time	—	1	—	ns
$t_{STCO}$	CCLK falling edge to valid output	—	—	10	ns
$t_{STOZ}$	CCLK falling edge to valid disable	—	—	10	ns
$t_{STOV}$	CCLK falling edge to valid enable	—	—	10	ns
$t_{SCS}$	Chip Select HIGH time	—	25	—	ns
$t_{SCSS}$	Chip Select setup time	—	3	—	ns
$t_{SCSH}$	Chip Select hold time	—	3	—	ns
<b>Master SPI</b>					
$f_{CCLK}$	Max selected CCLK output frequency	—	—	62	MHz
$t_{CCLKH}$	CCLK output clock pulse width HIGH	—	3.5	—	ns
$t_{CCLKL}$	CCLK output clock pulse width LOW	—	3.5	—	ns
$t_{STSU}$	CCLK setup time	—	5	—	ns
$t_{STH}$	CCLK hold time	—	1	—	ns
$t_{CSSPI}$	INITN HIGH to Chip Select LOW	—	100	200	ns
$t_{CFGX}$	INITN HIGH to first CCLK edge	—	—	150	ns
<b>Slave Serial</b>					
$f_{CCLK}$	CCLK input clock frequency	—	—	66	MHz
$t_{SSCH}$	CCLK input clock pulse width HIGH	—	5	—	ns
$t_{SSCL}$	CCLK input clock pulse width LOW	—	5	—	ns
$t_{SUSCDI}$	CCLK setup time	—	0.5	—	ns
$t_{HS CDI}$	CCLK hold time	—	1.5	—	ns

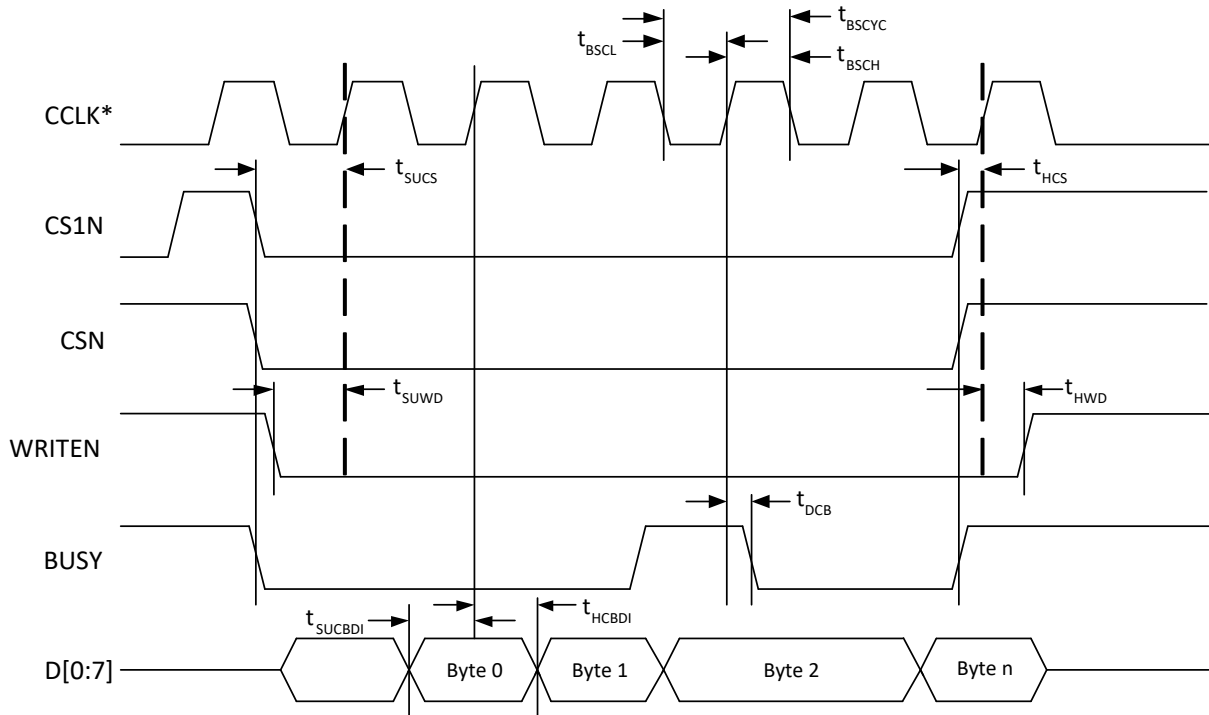
**Table 3.42. ECP5/ECP5-5G sysCONFIG Port Timing Specifications**

Symbol	Parameter		Min	Max	Unit
<b>Slave Parallel</b>					
$f_{CCLK}$	CCLK input clock frequency	—	—	50	MHz
$t_{BSCH}$	CCLK input clock pulsewidth HIGH	—	6	—	ns
$t_{BSCL}$	CCLK input clock pulsewidth LOW	—	6	—	ns
$t_{CORD}$	CCLK to DOUT for Read Data	—	—	12	ns
$t_{SUCBDI}$	Data Setup Time to CCLK	—	1.5	—	ns
$t_{HCBDI}$	Data Hold Time to CCLK	—	1.5	—	ns
$t_{SUCS}$	CSN, CSN1 Setup Time to CCLK	—	2.5	—	ns
$t_{HCS}$	CSN, CSN1 Hold Time to CCLK	—	1.5	—	ns
$t_{SUWD}$	WRITEN Setup Time to CCLK	—	45	—	ns
$t_{HCWD}$	WRITEN Hold Time to CCLK	—	2	—	ns
$t_{DCB}$	CCLK to BUSY Delay Time	—	—	12	ns



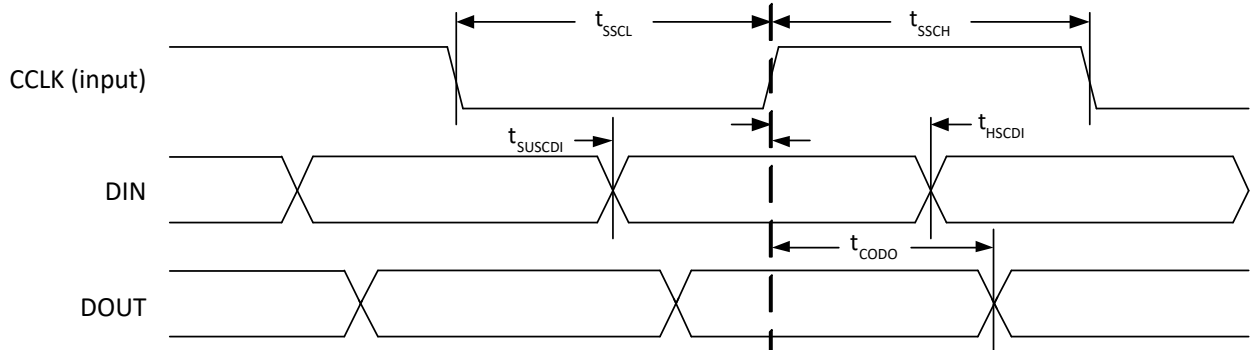
\*n = last byte of read cycle.

**Figure 3.15. sysCONFIG Parallel Port Read Cycle**

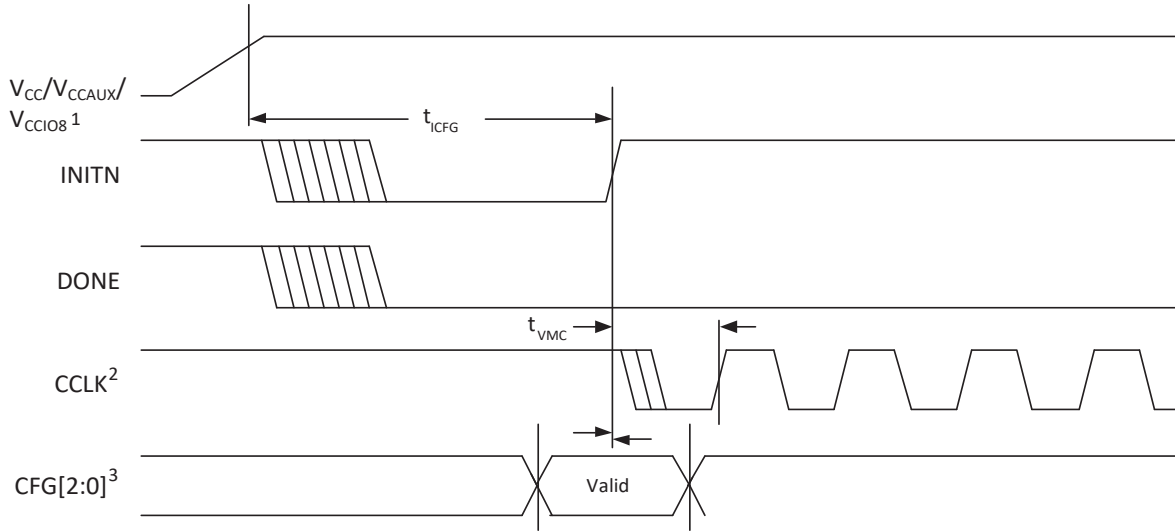


\*In Master Parallel Mode the FPGA provides CCLK (MCLK). In Slave Parallel Mode the external device provides CCLK.

**Figure 3.16. sysCONFIG Parallel Port Write Cycle**

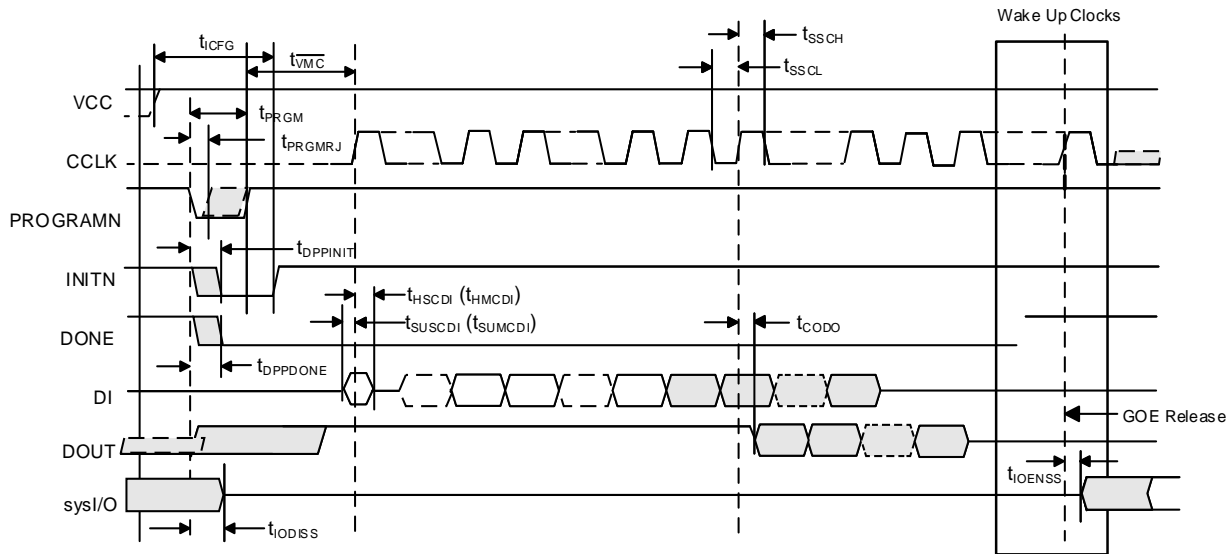


**Figure 3.17. sysCONFIG Slave Serial Port Timing**



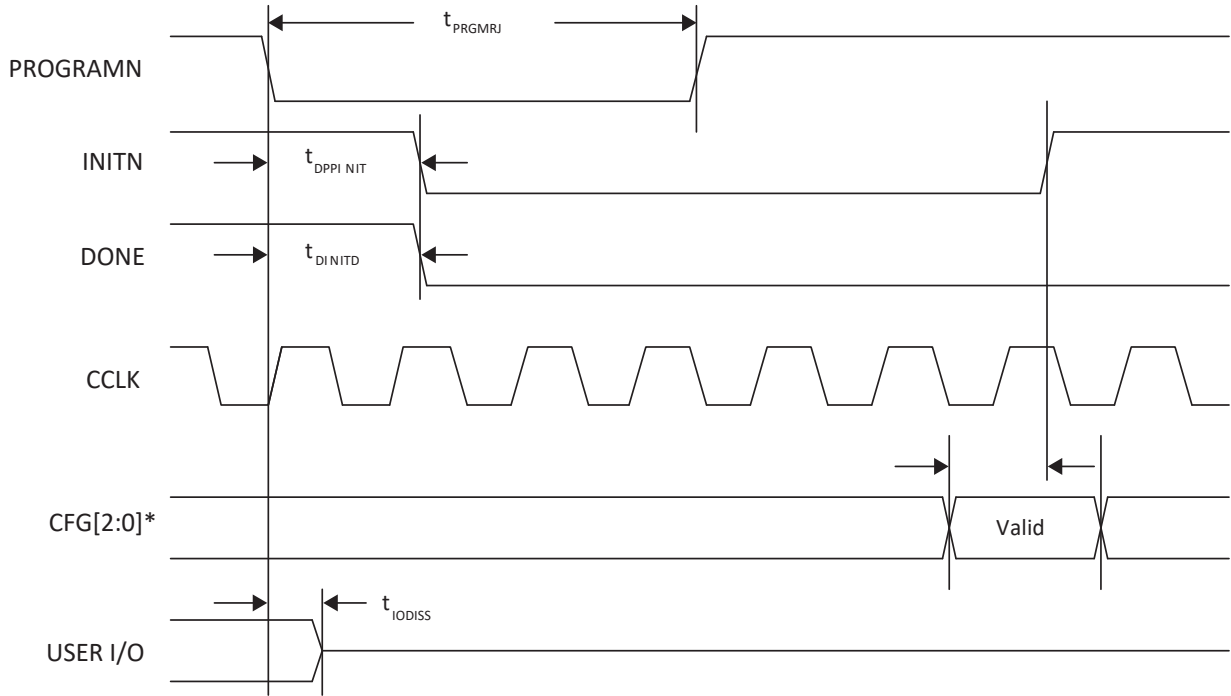
1. Time taken from  $V_{CC}$ ,  $V_{CCAUX}$  or  $V_{CCIO8}$ , whichever is the last to cross the POR trip point.
2. Device is in a Master Mode (SPI, SPI<sub>m</sub>).
3. The CFG pins are normally static (hardwired).

**Figure 3.18. Power-On-Reset (POR) Timing**



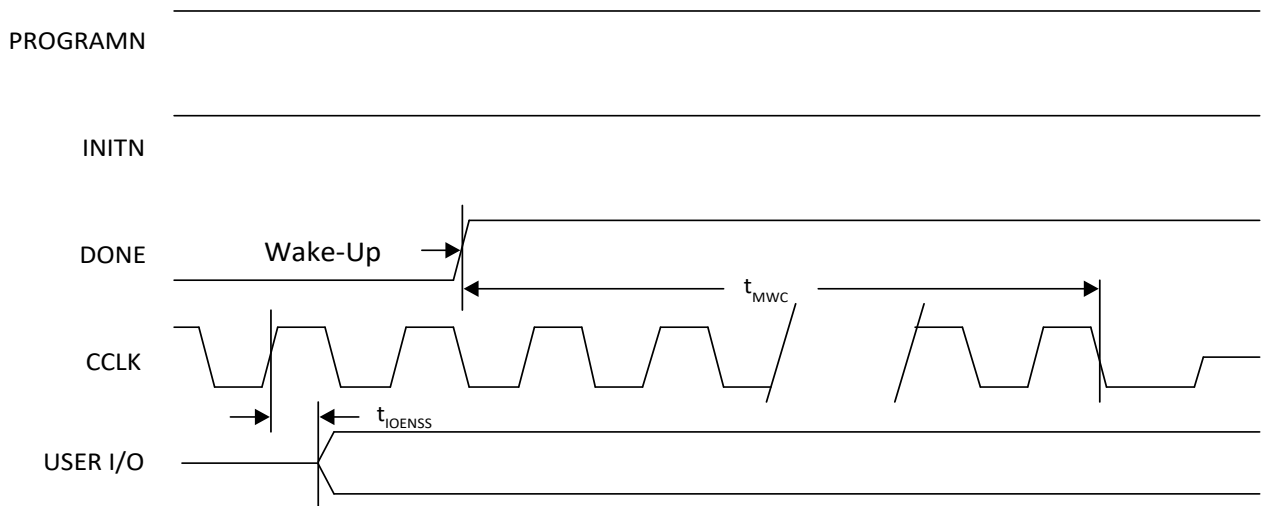
**Figure 3.19. sysCONFIG Port Timing**





\*The CFG pins are normally static (hardwired).

**Figure 3.20. Configuration from PROGRAMN Timing**



**Figure 3.21. Wake-Up Timing**

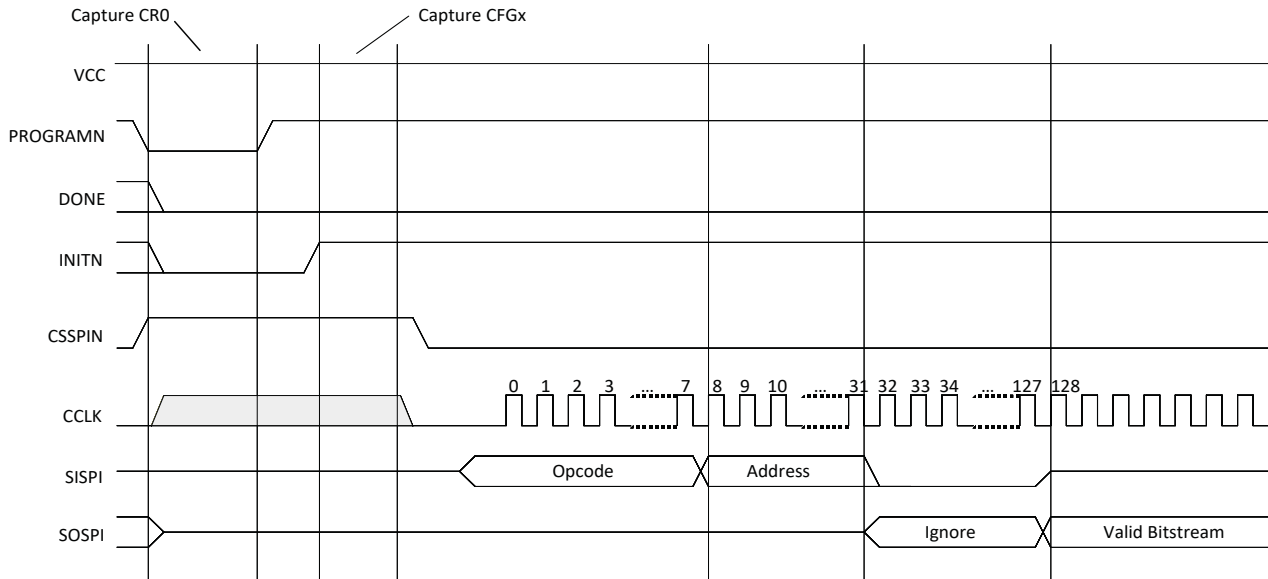


Figure 3.22. Master SPI Configuration Waveforms

### 3.32. JTAG Port Timing Specifications

Over recommended operating conditions.

Table 3.43. JTAG Port Timing Specifications

Symbol	Parameter	Min	Max	Units
$f_{MAX}$	TCK clock frequency	—	25	MHz
$t_{BTCPH}$	TCK [BSCAN] clock pulse width high	20	—	ns
$t_{BTCPL}$	TCK [BSCAN] clock pulse width low	20	—	ns
$t_{BTS}$	TCK [BSCAN] setup time	10	—	ns
$t_{BTH}$	TCK [BSCAN] hold time	8	—	ns
$t_{BTRF}$	TCK [BSCAN] rise/fall time	50	—	mV/ns
$t_{BTCO}$	TAP controller falling edge of clock to valid output	—	10	ns
$t_{BTCODIS}$	TAP controller falling edge of clock to valid disable	—	10	ns
$t_{BTCOEN}$	TAP controller falling edge of clock to valid enable	—	10	ns
$t_{BTCRS}$	BSCAN test capture register setup time	8	—	ns
$t_{BTCRH}$	BSCAN test capture register hold time	25	—	ns
$t_{BUTCO}$	BSCAN test update register, falling edge of clock to valid output	—	25	ns
$t_{BTUODIS}$	BSCAN test update register, falling edge of clock to valid disable	—	25	ns
$t_{BTUPOEN}$	BSCAN test update register, falling edge of clock to valid enable	—	25	ns

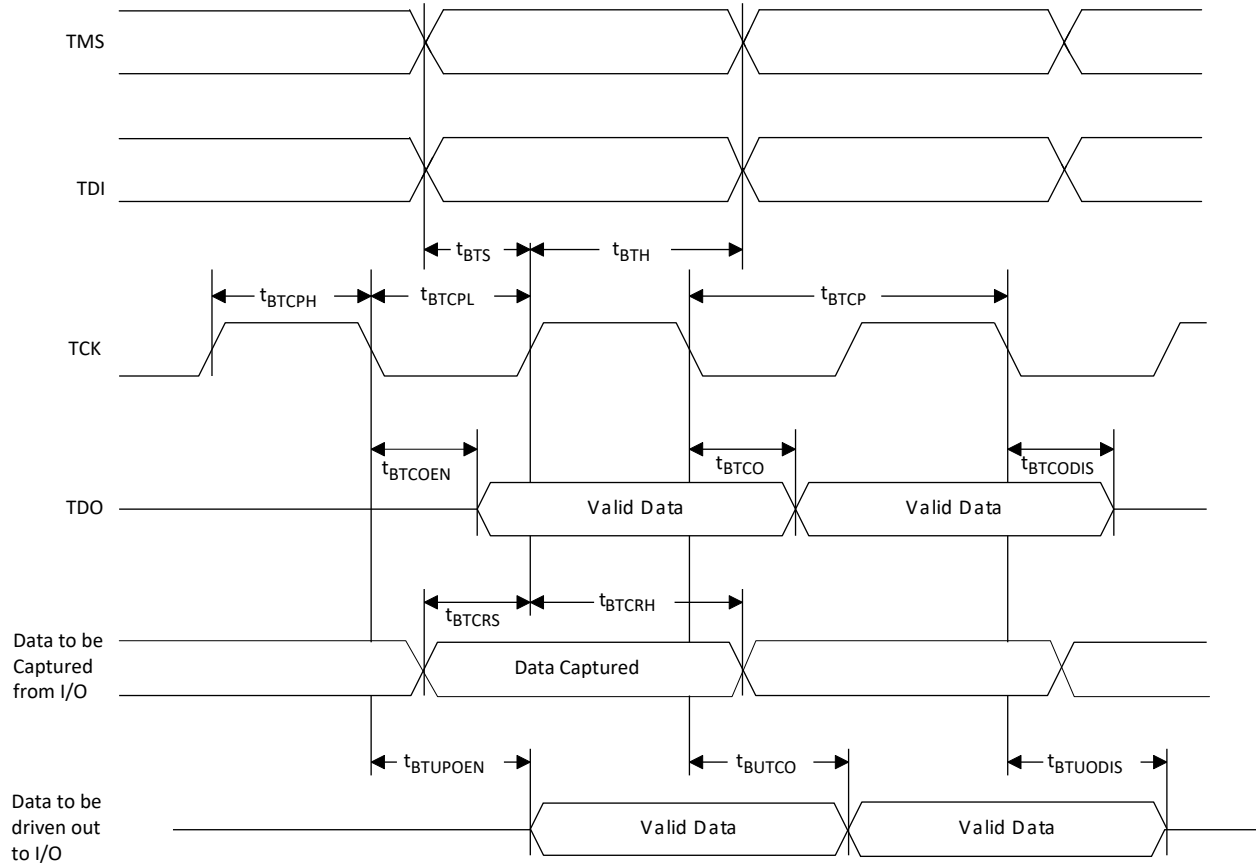
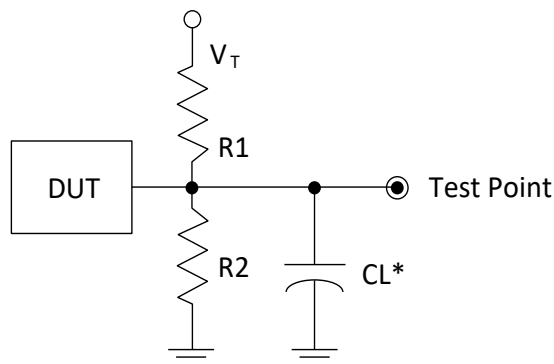


Figure 3.23. JTAG Port Timing Waveforms

### 3.33. Switching Test Conditions

Figure 3.24 shows the output test load that is used for AC testing. The specific values for resistance, capacitance, voltage, and other test conditions are listed in Table 3.44.



\*CL Includes Test Fixture and Probe Capacitance

Figure 3.24. Output Test Load, LVTTTL and LVCMOS Standards

**Table 3.44. Test Fixture Required Components, Non-Terminated Interfaces**

Test Condition	R <sub>1</sub>	R <sub>2</sub>	C <sub>L</sub>	Timing Ref.	V <sub>T</sub>
LVTTTL and other LVCMOS settings (L ≥ H, H ≥ L)	∞	∞	0 pF	LVC MOS 3.3 = 1.5 V	—
				LVC MOS 2.5 = V <sub>CCIO</sub> /2	—
				LVC MOS 1.8 = V <sub>CCIO</sub> /2	—
				LVC MOS 1.5 = V <sub>CCIO</sub> /2	—
				LVC MOS 1.2 = V <sub>CCIO</sub> /2	—
LVC MOS 2.5 I/O (Z ≥ H)	∞	1 MΩ	0 pF	V <sub>CCIO</sub> /2	—
LVC MOS 2.5 I/O (Z ≥ L)	1 MΩ	∞	0 pF	V <sub>CCIO</sub> /2	V <sub>CCIO</sub>
LVC MOS 2.5 I/O (H ≥ Z)	∞	100	0 pF	V <sub>OH</sub> - 0.10	—
LVC MOS 2.5 I/O (L ≥ Z)	100	∞	0 pF	V <sub>OL</sub> + 0.10	V <sub>CCIO</sub>

**Note:**

1. Output test conditions for all other interfaces are determined by the respective standards.

## 4. Pinout Information

### 4.1. Signal Descriptions

Signal Name	I/O	Description
<b>General Purpose</b>		
P[L/R] [Group Number]_[A/B/C/D]	I/O	<p>[L/R] indicates the L (Left), or R (Right) edge of the device. [Group Number] indicates the PIO [A/B/C/D] group.</p> <p>[A/B/C/D] indicates the PIO within the PIC to which the pad is connected. Some of these user-programmable pins are shared with special function pins. These pins, when not used as special purpose pins, can be programmed as I/O for user logic. During configuration the user-programmable I/O are tri-stated with an internal pull-down resistor enabled. If any pin is not used (or not bonded to a package pin), it is tri-stated and default to have pull-down enabled after configuration.</p> <p>PIO A and B are grouped as a pair, and PIO C and D are group as a pair. Each pair supports true LVDS differential input buffer. Only PIO A and B pair supports true LVDS differential output buffer.</p> <p>Each A/B and C/D pair supports programmable on/off differential input termination of 100 Ω.</p>
P[T/B][Group Number]_[A/B]	I/O	<p>[T/B] indicates the T (top) or B (bottom) edge of the device. [Group Number] indicates the PIO [A/B] group.</p> <p>[A/B] indicates the PIO within the PIC to which the pad is connected. Some of these user-programmable pins are shared with sysConfig pins. These pins, when not used as configuration pins, can be programmed as I/O for user logic. During configuration, the pins not used in configuration are tri-stated with an internal pull-down resistor enabled. If any pin is not used (or not bonded to a package pin), it is tri-stated and default to have pull-down enabled after configuration.</p> <p>PIOs on top and bottom do not support differential input signaling or true LVDS output signaling, but it can support emulated differential output buffer.</p> <p>PIO A/B forms a pair of emulated differential output buffer.</p>
GSRN	I	Global RESET signal (active low). Any I/O pin can be GSRN.
NC	—	No connect.
RESERVED	—	This pin is reserved and should not be connected to anything on the board.
GND	—	Ground. Dedicated pins.
V <sub>CC</sub>	—	Power supply pins for core logic. Dedicated pins. V <sub>CC</sub> = 1.1 V (ECP5), 1.2 V (ECP5UM5G)
V <sub>CCAUX</sub>	—	Auxiliary power supply pin. This dedicated pin powers all the differential and referenced input buffers. V <sub>CCAUX</sub> = 2.5 V.
V <sub>CCIOx</sub>	—	Dedicated power supply pins for I/O bank x. V <sub>CCIO8</sub> is used for configuration and JTAG.
VREF1_x	—	Reference supply pins for I/O bank x. Pre-determined shared pin in each bank are assigned as VREF1 input. When not used, they may be used as I/O pins.
<b>PLL, DLL and Clock Functions</b>		
[LOC]_[GPLL][T, C]_IN	I	General Purpose PLL (GPLL) input pads: [LOC] = ULC, LLC, URC and LRC, T = true and C = complement. These pins are shared I/O pins. When not configured as GPLL input pads, they can be used as general purpose I/O pins.
PCLK[T/C][Bank]_[num]	I/O	General Purpose Primary CLK pads: [T/C] = True/Complement, [Bank] = (0, 1, 2, 3, 6 and 7). There are two in each bank ([num] = 0, 1). These are shared I/O pins. When not configured as PCLK pins, they can be used as general purpose I/O pins.

Signal Name	I/O	Description
<b>PLL, DLL and Clock Functions</b>		
[L/R]DQS[group_num]	I/O	DQS input/output pads: L (left), R (right), group_num = ball number associated with DQS[T] pin.
[L/R]DQ[group_num]	I/O	DQ input/output pads: L (left), R (right), group_num = ball number associated with DQS[T] pin.
<b>Test and Programming (Dedicated Pins)</b>		
TMS	I	Test Mode Select input, used to control the 1149.1 state machine. Pull-up is enabled during configuration. This is a dedicated input pin.
TCK	I	Test Clock input pin, used to clock the 1149.1 state machine. No pull-up enabled. This is a dedicated input pin.
TDI	I	Test Data in pin. Used to load data into device using 1149.1 state machine. After power-up, this TAP port can be activated for configuration by sending appropriate command. (Note: once a configuration port is selected it is locked. Another configuration port cannot be selected until the power-up sequence). Pull-up is enabled during configuration. This is a dedicated input pin.
TDO	O	Output pin. Test Data Out pin used to shift data out of a device using 1149.1. This is a dedicated output pin.
<b>Configuration Pads (Used during sysCONFIG)</b>		
CFG[2:0]	I	Mode pins used to specify configuration mode values latched on rising edge of INITN. During configuration, a pull-up is enabled. These are dedicated pins.
INITN	I/O	Open Drain pin. Indicates the FPGA is ready to be configured. During configuration, a pull-up is enabled. This is a dedicated pin.
PROGRAMN	I	Initiates configuration sequence when asserted low. This pin always has an active pull-up. This is a dedicated pin.
DONE	I/O	Open Drain pin. Indicates that the configuration sequence is complete, and the startup sequence is in progress. This is a dedicated pin.
CCLK	I/O	Input Configuration Clock for configuring an FPGA in Slave SPI, Serial, and CPU modes. Output Configuration Clock for configuring an FPGA in Master configuration modes (Master SPI, Master Serial). This is a dedicated pin.
HOLDN/DI/BUSY/CSSPIN/CEN	I/O	Parallel configuration mode busy indicator. SPI/SPI mode data output. This is a shared I/O pin. When not in configuration, it can be used as general purpose I/O pin.
CSN/SN	I/O	Parallel configuration mode active-low chip select. Slave SPI chip select. This is a shared I/O pin. When not in configuration, it can be used as general purpose I/O pin.
CS1N	I	Parallel configuration mode active-low chip select. This is a shared I/O pin. When not in configuration, it can be used as general purpose I/O pin.
WRITEN	I	Write enable for parallel configuration modes. This is a shared I/O pin. When not in configuration, it can be used as general purpose I/O pin.
DOUT/CSON	O	Serial data output. Chip select output. SPI/SPI mode chip select. This is a shared I/O pin. When not in configuration, it can be used as general purpose I/O pin.
D0/MOSI/IOO	I/O	Parallel configuration I/O. Open drain during configuration. When in SPI modes, it is an output in Master mode, and input in Slave mode. This is a shared I/O pin. When not in configuration, it can be used as general purpose I/O pin.

Signal Name	I/O	Description
<b>Configuration Pads (Used during sysCONFIG)</b>		
D1/MISO/IO1	I/O	Parallel configuration I/O. Open drain during configuration. When in SPI modes, it is an input in Master mode, and output in Slave mode. This is a shared I/O pin. When not in configuration, it can be used as general purpose I/O pin.
D2/IO2	I/O	Parallel configuration I/O. Open drain during configuration. When in SPI modes, it is an input in Master mode, and output in Slave mode. This is a shared I/O pin. When not in configuration, it can be used as general purpose I/O pin.
D3/IO3	I/O	Parallel configuration I/O. Open drain during configuration. When in SPI modes, it is an input in Master mode, and output in Slave mode. This is a shared I/O pin. When not in configuration, it can be used as general purpose I/O pin.
D4/IO4	I/O	Parallel configuration I/O. Open drain during configuration. This is a shared I/O pin. When not in configuration, it can be used as general purpose I/O pin.
D5/IO5	I/O	Parallel configuration I/O. Open drain during configuration. This is a shared I/O pin. When not in configuration, it can be used as general purpose I/O pin.
D6/IO6	I/O	Parallel configuration I/O. Open drain during configuration. This is a shared I/O pin. When not in configuration, it can be used as general purpose I/O pin.
D7/IO7	I/O	Parallel configuration I/O. Open drain during configuration. This is a shared I/O pin. When not in configuration, it can be used as general purpose I/O pin.
<b>SerDes Function</b>		
VCCA <sub>x</sub>	—	SerDes, transmit, receive, PLL and reference clock buffer power supply for SerDes Dual x. All V <sub>CCA</sub> supply pins must always be powered to the recommended operating voltage range. If no SerDes channels are used, connect V <sub>CCA</sub> to V <sub>CC</sub> . VCCA <sub>x</sub> = 1.1 V for ECP5, VCCA <sub>x</sub> = 1.2 V for ECP5-5G.
VCCAUX <sub>x</sub>	—	SerDes Aux Power Supply pin for SerDes Dual x. VCCAUX <sub>x</sub> = 2.5 V.
HDRX[P/N]_D[dual_num]CH[chan_num]	I	High-speed SerDes inputs, P = Positive, N = Negative, dual_num = [0, 1], chan_num = [0, 1]. These are dedicated SerDes input pins.
HDTX[P/N]_D[dual_num]CH[chan_num]	O	High-speed SerDes outputs, P = Positive, N = Negative, dual_num = [0, 1], chan_num = [0, 1]. These are dedicated SerDes output pins.
REFCLK[P/N]_D[dual_num]	I	SerDes Reference Clock inputs, P = Positive, N = Negative, dual_num = [0, 1]. These are dedicated SerDes input pins.
VCCHRX_D[dual_num]CH[chan_num]	—	SerDes High-Speed Inputs Termination Voltage Supplies, dual_num = [0, 1], chan_num = [0, 1]. These pins should be powered to 1.1 V on ECP5, or 1.2 V on ECP5-5G.
VCCHTX_D[dual_num]CH[chan_num]	—	SerDes High-Speed Outputs Buffer Voltage Supplies, dual_num = [0, 1], chan_num = [0, 1]. These pins should be powered to 1.1 V on ECP5, or 1.2 V on ECP5-5G.

**Notes:**

- When placing switching I/O around these critical pins that are designed to supply the device with the proper reference or supply voltage, care must be given.
- These pins are dedicated inputs or can be used as general purpose I/O.

## 4.2. PICs and DDR Data (DQ) Pins Associated with the DDR Strobe (DQS) Pin

PICs Associated with DQS Strobe	PIO within PIC	DDR Strobe (DQS) and Data (DQ) Pins
<b>For Left and Right Edges of the Device Only</b>		
P[L/R] [n-6]	A	DQ
	B	DQ
	C	DQ
	D	DQ
P[L/R] [n-3]	A	DQ
	B	DQ
	C	DQ
	D	DQ
P[L/R] [n]	A	DQS (P)
	B	DQS (N)
	C	DQ
	D	DQ
P[L/R] [n+3]	A	DQ
	B	DQ
	C	DQ
	D	DQ

**Note:**

- $n$  is a row PIC number.

## 4.3. Pin Information Summary

### 4.3.1. LFE5UM/LFE5UM5G

Pin Information Summary		LFE5UM/ LFE5UM5G-25		LFE5UM/LFE5UM5G-45			LFE5UM/LFE5UM5G-85			
		285 csfBGA	381 caBGA	285 csfBGA	381 caBGA	554 caBG	285 csfBGA	381 caBG	554 caBGA	756 caBGA
General Purpose Inputs/Outputs per Bank	Bank 0	6	24	6	27	32	6	27	32	56
	Bank 1	6	32	6	33	40	6	33	40	48
	Bank 2	21	32	21	32	32	21	34	32	48
	Bank 3	28	32	28	33	48	28	33	48	64
	Bank 4	0	0	0	0	0	0	0	14	24
	Bank 6	26	32	26	33	48	26	33	48	64
	Bank 7	18	32	18	32	32	18	32	32	48
	Bank 8	13	13	13	13	13	13	13	13	13
Total Single-Ended User I/O		118	197	118	203	245	118	205	259	365
VCC		13	20	13	20	24	13	20	24	36
VCCAUX (Core)		3	4	3	4	9	3	4	9	8
Vccio	Bank 0	1	2	1	2	3	1	2	3	4
	Bank 1	1	2	1	2	3	1	2	3	4
	Bank 2	2	3	2	3	4	2	3	4	4
	Bank 3	2	3	2	3	3	2	3	3	4
	Bank 4	0	0	0	0	0	0	0	2	2
	Bank 6	2	3	2	3	4	2	3	4	4
	Bank 7	2	3	2	3	3	2	3	3	4



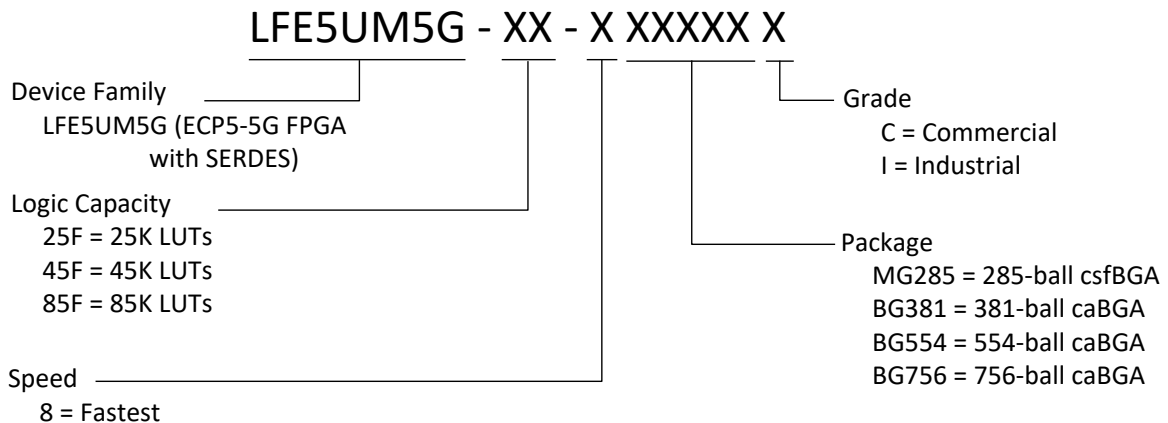
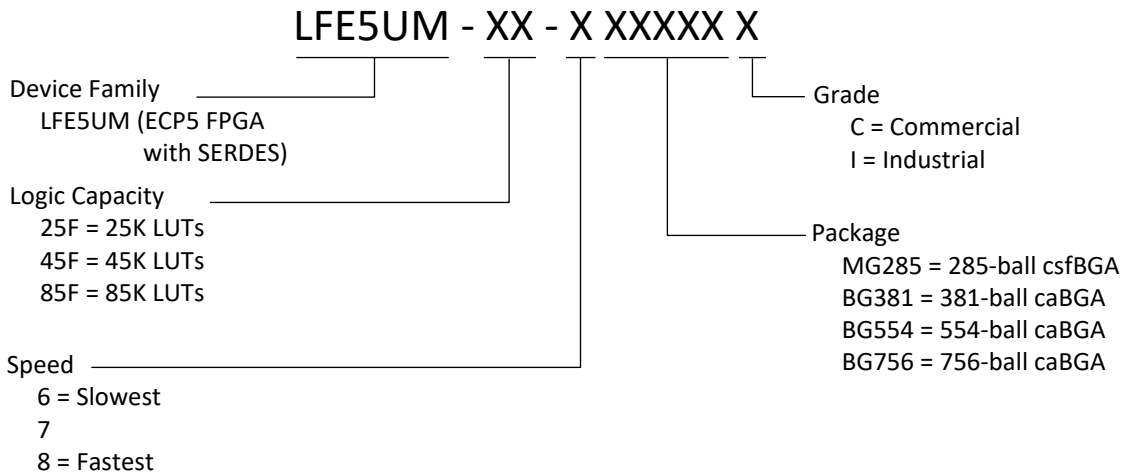
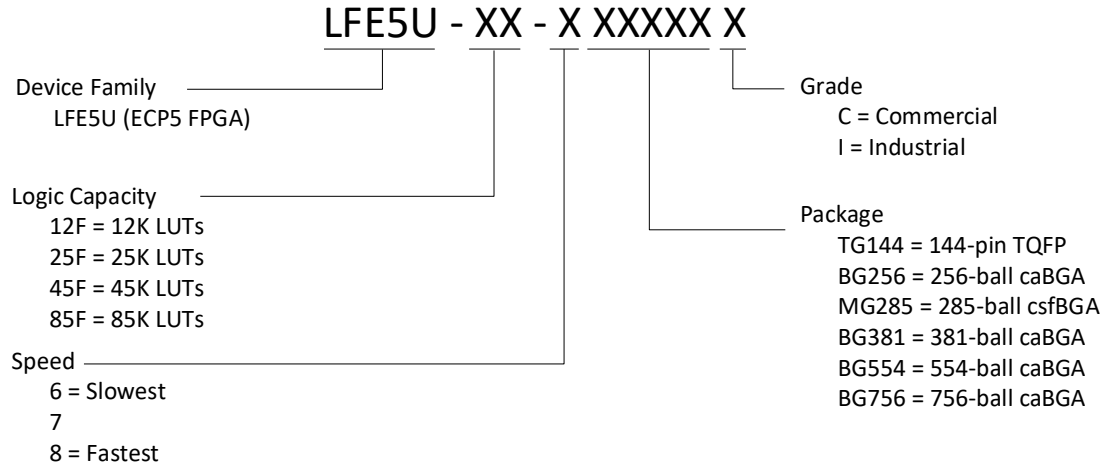
Pin Information Summary		LFE5UM/ LFE5UM5G-25		LFE5UM/LFE5UM5G-45			LFE5UM/LFE5UM5G-85			
Pin Type		285 csfBGA	381 caBGA	285 csfBGA	381 caBGA	554 caBG	285 csfBGA	381 caBG	554 caBGA	756 caBGA
	Bank 8	2	2	2	2	2	2	2	2	2
TAP		4	4	4	4	4	4	4	4	4
Miscellaneous Dedicated Pins		7	7	7	7	7	7	7	7	7
GND		83	59	83	59	113	83	59	113	166
NC		1	8	1	2	33	1	0	17	29
Reserved		0	2	0	2	4	0	2	4	4
SerDes		14	28	14	28	28	14	28	28	28
VCCA (SerDes)	VCCA0	2	2	2	2	6	2	2	6	8
	VCCA1	0	2	0	2	6	0	2	6	9
VCCAUXA (SerDes)	VCCAUXA0	2	2	2	2	2	2	2	2	2
	VCCAUXA1	0	2	0	2	2	0	2	2	2
GNDA (SerDes)		26	26	26	26	49	26	26	49	60
Total Balls		285	381	285	381	554	285	381	554	756
High Speed Differential Input / Output Pairs	Bank 0	0	0	0	0	0	0	0	0	0
	Bank 1	0	0	0	0	0	0	0	0	0
	Bank 2	10/8	16/8	10/8	16/8	16/8	10/8	17/9	16/8	24/12
	Bank 3	14/7	16/8	14/7	16/8	24/1	14/7	16/8	24/12	32/16
	Bank 4	0	0	0	0	0	0	0	0	0
	Bank 6	13/6	16/8	13/6	16/8	24/1	13/6	16/8	24/12	32/16
	Bank 7	8/6	16/8	8/6	16/8	16/8	8/6	16/8	16/8	24/12
Total High Speed Differential I/O Pairs		45/27	64/32	45/27	64/32	80/4	45/27	65/3	80/40	112/5
DQS Groups (> 11 pins in group)	Bank 0	0	0	0	0	0	0	0	0	0
	Bank 1	0	0	0	0	0	0	0	0	0
	Bank 2	1	2	1	2	2	1	2	2	3
	Bank 3	2	2	2	2	3	2	2	3	4
	Bank 4	0	0	0	0	0	0	0	0	0
	Bank 6	2	2	2	2	3	2	2	3	4
	Bank 7	1	2	1	2	2	1	2	2	3
Total DQS Groups		6	8	6	8	10	6	8	10	14

### 4.3.2. LFE5U

Pin Information Summary		LFE5U-12				LFE5U-25				LFE5U-45					LFE5U-85			
Pin Type		144 TQFP	256 caBGA	285 csfBGA	381 caBGA	144 TQFP	256 caBGA	285 csfBGA	381 caBGA	144 TQFP	256 caBGA	285 csfBGA	381 caBGA	554 caBGA	285 csfBGA	381 caBGA	554 caBGA	756 caBGA
General Purpose Inputs/Outputs per Bank	Bank 0	10	24	6	24	10	24	6	24	12	24	6	27	32	6	27	32	56
	Bank 1	16	32	6	32	16	32	6	32	14	32	6	33	40	6	33	40	48
	Bank 2	18	32	21	32	18	32	21	32	13	32	21	32	32	21	34	32	48
	Bank 3	15	32	28	32	15	32	28	32	20	32	28	33	48	28	33	48	64
	Bank 4	0	0	0	0	0	0	0	0	0	0	0	0	0	0	0	14	24
	Bank 6	15	32	26	32	15	32	26	32	17	32	26	33	48	26	33	48	64
	Bank 7	12	32	18	32	12	32	18	32	10	32	18	32	32	18	32	32	48
	Bank 8	12	13	13	13	12	13	13	13	12	13	13	13	13	13	13	13	13
Total Single-Ended User I/O		98	197	118	197	98	197	118	197	98	197	118	203	245	118	205	259	365
V <sub>CC</sub>		8	6	13	20	8	6	13	20	8	6	13	20	24	13	20	24	36
V <sub>CCAUX</sub> (Core)		4	2	3	4	4	2	4	4	4	2	3	4	9	3	4	9	8
V <sub>CCIO</sub>	Bank 0	0	2	1	2	0	2	1	2	0	2	1	2	3	1	2	3	4
	Bank 1	0	2	1	2	0	2	1	2	0	2	1	2	3	1	2	3	4
	Bank 2	0	2	2	3	0	2	2	3	0	2	2	3	4	2	3	4	4
	Bank 3	2	2	2	3	2	2	2	3	2	2	2	3	3	2	3	3	4
	Bank 4	0	0	0	0	0	0	0	0	0	0	0	0	0	0	0	2	2
	Bank 6	2	2	2	3	2	2	2	3	2	2	2	3	4	2	3	4	4
	Bank 7	0	2	2	3	0	2	2	3	0	2	2	3	3	2	3	3	4
	Bank 8	0	1	2	2	0	1	2	2	0	1	2	2	2	2	2	2	2
TAP		4	4	4	4	4	4	4	4	4	4	4	4	4	4	4	4	4
Miscellaneous Dedicated Pins		7	7	7	7	7	7	7	7	7	7	7	7	7	7	7	7	7
GND		13	27	123	99	13	27	123	99	14	27	123	113	198	123	113	198	267
NC		2	0	1	26	2	0	0	26	0	0	1	2	33	1	0	33	29
Reserved		6	0	4	6	6	0	4	6	5	0	4	10	12	4	10	12	12
Total Balls		144	256	285	381	144	256	285	381	144	256	285	381	554	285	381	554	756
High Speed Differential Input /Output Pairs	Bank 0	0	0	0	0	0	0	0	0	0	0	0	0	0	0	0	0	0
	Bank 1	0	0	0	0	0	0	0	0	0	0	0	0	0	0	0	0	0
	Bank 2	9/5	16/8	10/8	16/8	9/5	16/8	10/8	16/8	8/4	16/8	10/8	16/8	16/8	10/8	17/9	16/8	24/1
	Bank 3	6/3	16/8	14/7	16/8	6/3	16/8	14/7	16/8	13/6	16/8	14/7	16/8	24/12	14/7	16/8	24/12	32/1
	Bank 4	0	0	0	0	0	0	0	0	0	0	0	0	0	0	0	0	0
	Bank 6	8/5	16/8	13/6	16/8	8/5	16/8	13/6	16/8	10/4	16/8	13/6	16/8	24/12	13/6	16/8	24/12	32/1
	Bank 7	5/3	16/8	8/6	16/8	5/3	16/8	8/6	16/8	5/2	16/8	8/6	16/8	16/8	8/6	16/8	16/8	24/1
	Bank 8	0	0	0	0	0	0	0	0	0	0	0	0	0	0	0	0	0
Total High Speed Differential I/O Pairs		28/16	64/32	45/27	64/32	28/16	64/32	45/27	64/32	36/16	64/32	45/27	64/32	80/40	45/27	65/33	80/40	112/56
DQS Groups (> 11 pins in group)	Bank 0	0	0	0	0	0	0	0	0	0	0	0	0	0	0	0	0	0
	Bank 1	0	0	0	0	0	0	0	0	0	0	0	0	0	0	0	0	0
	Bank 2	2	2	1	2	2	2	1	2	2	2	1	2	2	1	2	2	3
	Bank 3	2	2	2	2	2	2	2	2	3	2	2	2	3	2	2	3	4
	Bank 4	0	0	0	0	0	0	0	0	0	0	0	0	0	0	0	0	0
	Bank 6	2	2	2	2	2	2	2	2	3	2	2	2	3	2	2	3	4
	Bank 7	2	2	1	2	2	2	1	2	2	2	1	2	2	1	2	2	3
	Bank 8	0	0	0	0	0	0	0	0	0	0	0	0	0	0	0	0	0
Total DQS Groups		8	8	6	8	8	8	6	8	10	8	6	8	10	6	8	10	14

## 5. Ordering Information

### 5.1. ECP5/ECP5-5G Part Number Description



## 5.2. Ordering Part Numbers

### 5.2.1. Commercial

Part number	Grade	Package	Pins	Temp.	LUTs (K)	SerDes
LFE5U-12F-6TG144C	-6	Lead free TQFP	144	Commercial	12	No
LFE5U-12F-7TG144C	-7	Lead free TQFP	144	Commercial	12	No
LFE5U-12F-8TG144C	-8	Lead free TQFP	144	Commercial	12	No
LFE5U-12F-6BG256C	-6	Lead free caBGA	256	Commercial	12	No
LFE5U-12F-7BG256C	-7	Lead free caBGA	256	Commercial	12	No
LFE5U-12F-8BG256C	-8	Lead free caBGA	256	Commercial	12	No
LFE5U-12F-6MG285C	-6	Lead free csfBGA	285	Commercial	12	No
LFE5U-12F-7MG285C	-7	Lead free csfBGA	285	Commercial	12	No
LFE5U-12F-8MG285C	-8	Lead free csfBGA	285	Commercial	12	No
LFE5U-12F-6BG381C	-6	Lead free caBGA	381	Commercial	12	No
LFE5U-12F-7BG381C	-7	Lead free caBGA	381	Commercial	12	No
LFE5U-12F-8BG381C	-8	Lead free caBGA	381	Commercial	12	No
LFE5U-25F-6TG144C	-6	Lead free TQFP	144	Commercial	24	No
LFE5U-25F-7TG144C	-7	Lead free TQFP	144	Commercial	24	No
LFE5U-25F-8TG144C	-8	Lead free TQFP	144	Commercial	24	No
LFE5U-25F-6BG256C	-6	Lead free caBGA	256	Commercial	24	No
LFE5U-25F-7BG256C	-7	Lead free caBGA	256	Commercial	24	No
LFE5U-25F-8BG256C	-8	Lead free caBGA	256	Commercial	24	No
LFE5U-25F-6MG285C	-6	Lead free csfBGA	285	Commercial	24	No
LFE5U-25F-7MG285C	-7	Lead free csfBGA	285	Commercial	24	No
LFE5U-25F-8MG285C	-8	Lead free csfBGA	285	Commercial	24	No
LFE5U-25F-6BG381C	-6	Lead free caBGA	381	Commercial	24	No
LFE5U-25F-7BG381C	-7	Lead free caBGA	381	Commercial	24	No
LFE5U-25F-8BG381C	-8	Lead free caBGA	381	Commercial	24	No
LFE5U-45F-6TG144C	-6	Lead free TQFP	144	Commercial	44	No
LFE5U-45F-7TG144C	-7	Lead free TQFP	144	Commercial	44	No
LFE5U-45F-8TG144C	-8	Lead free TQFP	144	Commercial	44	No
LFE5U-45F-6BG256C	-6	Lead free caBGA	256	Commercial	44	No
LFE5U-45F-7BG256C	-7	Lead free caBGA	256	Commercial	44	No
LFE5U-45F-8BG256C	-8	Lead free caBGA	256	Commercial	44	No
LFE5U-45F-6MG285C	-6	Lead free csfBGA	285	Commercial	44	No
LFE5U-45F-7MG285C	-7	Lead free csfBGA	285	Commercial	44	No
LFE5U-45F-8MG285C	-8	Lead free csfBGA	285	Commercial	44	No
LFE5U-45F-6BG381C	-6	Lead free caBGA	381	Commercial	44	No
LFE5U-45F-7BG381C	-7	Lead free caBGA	381	Commercial	44	No
LFE5U-45F-8BG381C	-8	Lead free caBGA	381	Commercial	44	No
LFE5U-45F-6BG554C	-6	Lead free caBGA	554	Commercial	44	No
LFE5U-45F-7BG554C	-7	Lead free caBGA	554	Commercial	44	No
LFE5U-45F-8BG554C	-8	Lead free caBGA	554	Commercial	44	No
LFE5U-85F-6MG285C	-6	Lead free csfBGA	285	Commercial	84	No
LFE5U-85F-7MG285C	-7	Lead free csfBGA	285	Commercial	84	No
LFE5U-85F-8MG285C	-8	Lead free csfBGA	285	Commercial	84	No
LFE5U-85F-6BG381C	-6	Lead free caBGA	381	Commercial	84	No

Part number	Grade	Package	Pins	Temp.	LUTs (K)	SerDes
LFE5U-85F-7BG381C	-7	Lead free caBGA	381	Commercial	84	No
LFE5U-85F-8BG381C	-8	Lead free caBGA	381	Commercial	84	No
LFE5U-85F-6BG554C	-6	Lead free caBGA	554	Commercial	84	No
LFE5U-85F-7BG554C	-7	Lead free caBGA	554	Commercial	84	No
LFE5U-85F-8BG554C	-8	Lead free caBGA	554	Commercial	84	No
LFE5U-85F-6BG756C	-6	Lead free caBGA	756	Commercial	84	No
LFE5U-85F-7BG756C	-7	Lead free caBGA	756	Commercial	84	No
LFE5U-85F-8BG756C	-8	Lead free caBGA	756	Commercial	84	No
LFE5UM-25F-6MG285C	-6	Lead free csfBGA	285	Commercial	24	Yes
LFE5UM-25F-7MG285C	-7	Lead free csfBGA	285	Commercial	24	Yes
LFE5UM-25F-8MG285C	-8	Lead free csfBGA	285	Commercial	24	Yes
LFE5UM-25F-6BG381C	-6	Lead free caBGA	381	Commercial	24	Yes
LFE5UM-25F-7BG381C	-7	Lead free caBGA	381	Commercial	24	Yes
LFE5UM-25F-8BG381C	-8	Lead free caBGA	381	Commercial	24	Yes
LFE5UM-45F-6MG285C	-6	Lead free csfBGA	285	Commercial	44	Yes
LFE5UM-45F-7MG285C	-7	Lead free csfBGA	285	Commercial	44	Yes
LFE5UM-45F-8MG285C	-8	Lead free csfBGA	285	Commercial	44	Yes
LFE5UM-45F-6BG381C	-6	Lead free caBGA	381	Commercial	44	Yes
LFE5UM-45F-7BG381C	-7	Lead free caBGA	381	Commercial	44	Yes
LFE5UM-45F-8BG381C	-8	Lead free caBGA	381	Commercial	44	Yes
LFE5UM-45F-6BG554C	-6	Lead free caBGA	554	Commercial	44	Yes
LFE5UM-45F-7BG554C	-7	Lead free caBGA	554	Commercial	44	Yes
LFE5UM-45F-8BG554C	-8	Lead free caBGA	554	Commercial	44	Yes
LFE5UM-85F-6MG285C	-6	Lead free csfBGA	285	Commercial	84	Yes
LFE5UM-85F-7MG285C	-7	Lead free csfBGA	285	Commercial	84	Yes
LFE5UM-85F-8MG285C	-8	Lead free csfBGA	285	Commercial	84	Yes
LFE5UM-85F-6BG381C	-6	Lead free caBGA	381	Commercial	84	Yes
LFE5UM-85F-7BG381C	-7	Lead free caBGA	381	Commercial	84	Yes
LFE5UM-85F-8BG381C	-8	Lead free caBGA	381	Commercial	84	Yes
LFE5UM-85F-6BG554C	-6	Lead free caBGA	554	Commercial	84	Yes
LFE5UM-85F-7BG554C	-7	Lead free caBGA	554	Commercial	84	Yes
LFE5UM-85F-8BG554C	-8	Lead free caBGA	554	Commercial	84	Yes
LFE5UM-85F-6BG756C	-6	Lead free caBGA	756	Commercial	84	Yes
LFE5UM-85F-7BG756C	-7	Lead free caBGA	756	Commercial	84	Yes
LFE5UM-85F-8BG756C	-8	Lead free caBGA	756	Commercial	84	Yes
LFE5UM5G-25F-8MG285C	-8	Lead free csfBGA	285	Commercial	24	Yes
LFE5UM5G-25F-8BG381C	-8	Lead free caBGA	381	Commercial	24	Yes
LFE5UM5G-45F-8MG285C	-8	Lead free csfBGA	285	Commercial	44	Yes
LFE5UM5G-45F-8BG381C	-8	Lead free caBGA	381	Commercial	44	Yes
LFE5UM5G-45F-8BG554C	-8	Lead free caBGA	554	Commercial	44	Yes
LFE5UM5G-85F-8MG285C	-8	Lead free csfBGA	285	Commercial	84	Yes
LFE5UM5G-85F-8BG381C	-8	Lead free caBGA	381	Commercial	84	Yes
LFE5UM5G-85F-8BG554C	-8	Lead free caBGA	554	Commercial	84	Yes
LFE5UM5G-85F-8BG756C	-8	Lead free caBGA	756	Commercial	84	Yes

## 5.2.2. Industrial

Part number	Grade	Package	Pins	Temp.	LUTs (K)	SerDes
LFE5U-12F-6TG144I	-6	Lead free TQFP	144	Industrial	12	No
LFE5U-12F-7TG144I	-7	Lead free TQFP	144	Industrial	12	No
LFE5U-12F-8TG144I	-8	Lead free TQFP	144	Industrial	12	No
LFE5U-12F-6BG256I	-6	Lead free caBGA	256	Industrial	12	No
LFE5U-12F-7BG256I	-7	Lead free caBGA	256	Industrial	12	No
LFE5U-12F-8BG256I	-8	Lead free caBGA	256	Industrial	12	No
LFE5U-12F-6MG285I	-6	Lead free csfBGA	285	Industrial	12	No
LFE5U-12F-7MG285I	-7	Lead free csfBGA	285	Industrial	12	No
LFE5U-12F-8MG285I	-8	Lead free csfBGA	285	Industrial	12	No
LFE5U-12F-6BG381I	-6	Lead free caBGA	381	Industrial	12	No
LFE5U-12F-7BG381I	-7	Lead free caBGA	381	Industrial	12	No
LFE5U-12F-8BG381I	-8	Lead free caBGA	381	Industrial	12	No
LFE5U-25F-6TG144I	-6	Lead free TQFP	144	Industrial	24	No
LFE5U-25F-7TG144I	-7	Lead free TQFP	144	Industrial	24	No
LFE5U-25F-8TG144I	-8	Lead free TQFP	144	Industrial	24	No
LFE5U-25F-6BG256I	-6	Lead free caBGA	256	Industrial	24	No
LFE5U-25F-7BG256I	-7	Lead free caBGA	256	Industrial	24	No
LFE5U-25F-8BG256I	-8	Lead free caBGA	256	Industrial	24	No
LFE5U-25F-6MG285I	-6	Lead free csfBGA	285	Industrial	24	No
LFE5U-25F-7MG285I	-7	Lead free csfBGA	285	Industrial	24	No
LFE5U-25F-8MG285I	-8	Lead free csfBGA	285	Industrial	24	No
LFE5U-25F-6BG381I	-6	Lead free caBGA	381	Industrial	24	No
LFE5U-25F-7BG381I	-7	Lead free caBGA	381	Industrial	24	No
LFE5U-25F-8BG381I	-8	Lead free caBGA	381	Industrial	24	No
LFE5U-45F-6TG144I	-6	Lead free TQFP	144	Industrial	44	No
LFE5U-45F-7TG144I	-7	Lead free TQFP	144	Industrial	44	No
LFE5U-45F-8TG144I	-8	Lead free TQFP	144	Industrial	44	No
LFE5U-45F-6BG256I	-6	Lead free caBGA	256	Industrial	44	No
LFE5U-45F-7BG256I	-7	Lead free caBGA	256	Industrial	44	No
LFE5U-45F-8BG256I	-8	Lead free caBGA	256	Industrial	44	No
LFE5U-45F-6MG285I	-6	Lead free csfBGA	285	Industrial	44	No
LFE5U-45F-7MG285I	-7	Lead free csfBGA	285	Industrial	44	No
LFE5U-45F-8MG285I	-8	Lead free csfBGA	285	Industrial	44	No
LFE5U-45F-6BG381I	-6	Lead free caBGA	381	Industrial	44	No
LFE5U-45F-7BG381I	-7	Lead free caBGA	381	Industrial	44	No
LFE5U-45F-8BG381I	-8	Lead free caBGA	381	Industrial	44	No
LFE5U-45F-6BG554I	-6	Lead free caBGA	554	Industrial	44	No
LFE5U-45F-7BG554I	-7	Lead free caBGA	554	Industrial	44	No
LFE5U-45F-8BG554I	-8	Lead free caBGA	554	Industrial	44	No
LFE5U-85F-6MG285I	-6	Lead free csfBGA	285	Industrial	84	No
LFE5U-85F-7MG285I	-7	Lead free csfBGA	285	Industrial	84	No
LFE5U-85F-8MG285I	-8	Lead free csfBGA	285	Industrial	84	No
LFE5U-85F-6BG381I	-6	Lead free caBGA	381	Industrial	84	No
LFE5U-85F-7BG381I	-7	Lead free caBGA	381	Industrial	84	No
LFE5U-85F-8BG381I	-8	Lead free caBGA	381	Industrial	84	No

Part number	Grade	Package	Pins	Temp.	LUTs (K)	SerDes
LFE5U-85F-6BG554I	-6	Lead free caBGA	554	Industrial	84	No
LFE5U-85F-7BG554I	-7	Lead free caBGA	554	Industrial	84	No
LFE5U-85F-8BG554I	-8	Lead free caBGA	554	Industrial	84	No
LFE5U-85F-6BG756I	-6	Lead free caBGA	756	Industrial	84	No
LFE5U-85F-7BG756I	-7	Lead free caBGA	756	Industrial	84	No
LFE5U-85F-8BG756I	-8	Lead free caBGA	756	Industrial	84	No
LFE5UM-25F-6MG285I	-6	Lead free csfBGA	285	Industrial	24	Yes
LFE5UM-25F-7MG285I	-7	Lead free csfBGA	285	Industrial	24	Yes
LFE5UM-25F-8MG285I	-8	Lead free csfBGA	285	Industrial	24	Yes
LFE5UM-25F-6BG381I	-6	Lead free caBGA	381	Industrial	24	Yes
LFE5UM-25F-7BG381I	-7	Lead free caBGA	381	Industrial	24	Yes
LFE5UM-25F-8BG381I	-8	Lead free caBGA	381	Industrial	24	Yes
LFE5UM-45F-6MG285I	-6	Lead free csfBGA	285	Industrial	44	Yes
LFE5UM-45F-7MG285I	-7	Lead free csfBGA	285	Industrial	44	Yes
LFE5UM-45F-8MG285I	-8	Lead free csfBGA	285	Industrial	44	Yes
LFE5UM-45F-6BG381I	-6	Lead free caBGA	381	Industrial	44	Yes
LFE5UM-45F-7BG381I	-7	Lead free caBGA	381	Industrial	44	Yes
LFE5UM-45F-8BG381I	-8	Lead free caBGA	381	Industrial	44	Yes
LFE5UM-45F-6BG554I	-6	Lead free caBGA	554	Industrial	44	Yes
LFE5UM-45F-7BG554I	-7	Lead free caBGA	554	Industrial	44	Yes
LFE5UM-45F-8BG554I	-8	Lead free caBGA	554	Industrial	44	Yes
LFE5UM-85F-6MG285I	-6	Lead free csfBGA	285	Industrial	84	Yes
LFE5UM-85F-7MG285I	-7	Lead free csfBGA	285	Industrial	84	Yes
LFE5UM-85F-8MG285I	-8	Lead free csfBGA	285	Industrial	84	Yes
LFE5UM-85F-6BG381I	-6	Lead free caBGA	381	Industrial	84	Yes
LFE5UM-85F-7BG381I	-7	Lead free caBGA	381	Industrial	84	Yes
LFE5UM-85F-8BG381I	-8	Lead free caBGA	381	Industrial	84	Yes
LFE5UM-85F-6BG554I	-6	Lead free caBGA	554	Industrial	84	Yes
LFE5UM-85F-7BG554I	-7	Lead free caBGA	554	Industrial	84	Yes
LFE5UM-85F-8BG554I	-8	Lead free caBGA	554	Industrial	84	Yes
LFE5UM-85F-6BG756I	-6	Lead free caBGA	756	Industrial	84	Yes
LFE5UM-85F-7BG756I	-7	Lead free caBGA	756	Industrial	84	Yes
LFE5UM-85F-8BG756I	-8	Lead free caBGA	756	Industrial	84	Yes
LFE5UM5G-25F-8MG285I	-8	Lead free csfBGA	285	Industrial	24	Yes
LFE5UM5G-25F-8BG381I	-8	Lead free caBGA	381	Industrial	24	Yes
LFE5UM5G-45F-8MG285I	-8	Lead free csfBGA	285	Industrial	44	Yes
LFE5UM5G-45F-8BG381I	-8	Lead free caBGA	381	Industrial	44	Yes
LFE5UM5G-45F-8BG554I	-8	Lead free caBGA	554	Industrial	44	Yes
LFE5UM5G-85F-8MG285I	-8	Lead free csfBGA	285	Industrial	84	Yes
LFE5UM5G-85F-8BG381I	-8	Lead free caBGA	381	Industrial	84	Yes
LFE5UM5G-85F-8BG554I	-8	Lead free caBGA	554	Industrial	84	Yes
LFE5UM5G-85F-8BG756I	-8	Lead free caBGA	756	Industrial	84	Yes

## Supplemental Information

### For Further Information

A variety of technical notes for the ECP5/ECP5-5G family are available.

- [Advanced Security Encryption Key Programming Guide for ECP5, ECP5-5G, LatticeECP3, and LatticeECP2/MS Devices \(FPGA-TN-02202\)](#)
- [LatticeECP3, LatticeECP2/M, ECP5 and ECP5-5G Dual Boot and Multiple Boot Feature \(FPGA-TN-02203\)](#)
- [ECP5 and ECP5-5G sysCONFIG Usage Guide \(FPGA-TN-02039\)](#)
- [ECP5 and ECP5-5G SerDes/PCS Usage Guide \(FPGA-TN-02206\)](#)
- [ECP5 and ECP5-5G sysI/O Usage Guide \(FPGA-TN-02032\)](#)
- [ECP5 and ECP5-5G sysClock PLL/DLL Design and Usage Guide \(FPGA-TN-02200\)](#)
- [ECP5 and ECP5-5G Memory Usage Guide \(FPGA-TN-02204\)](#)
- [ECP5 and ECP5-5G High-Speed I/O Interface \(FPGA-TN-02035\)](#)
- [Power Consumption and Management for ECP5 and ECP5-5G Devices \(FPGA-TN-02210\)](#)
- [ECP5 and ECP5-5G sysDSP Usage Guide \(FPGA-TN-02205\)](#)
- [ECP5 and ECP5-5G Hardware Checklist \(FPGA-TN-02038\)](#)
- [Electrical Recommendations for Lattice SerDes \(FPGA-TN-02077\)](#)
- [Programming External SPI Flash through JTAG for ECP5/ECP5-5G \(FPGA-TN-02050\)](#)
- [High-Speed PCB Design Considerations \(FPGA-TN-02178\)](#)
- [Transmission of High-Speed Serial Signals Over Common Cable Media \(FPGA-TN-02196\)](#)
- [PCB Layout Recommendations for BGA Packages \(FPGA-TN-02024\)](#)
- [Minimizing System Interruption During Configuration Using TransFR Technology \(FPGA-TN-02198\)](#)
- [LatticeECP3, ECP5 and ECP5-5G Soft Error Detection \(SED\)/Correction \(SEC\) Usage Guide \(FPGA-TN-02207\)](#)
- [Using TraceID \(FPGA-TN-02084\)](#)
- [Sub-LVDS Signaling Using Lattice Devices \(FPGA-TN-02208\)](#)
- [Solder Reflow Guide for Surface Mount Devices \(FPGA-TN-02041\)](#)
- [ECP5 and ECP5-5G PCI Express Soft IP Ease of Use Guidelines \(FPGA-TN-02045\)](#)
- [Adding Scalable Power and Thermal Management to ECP5 Using L-ASC10 \(FPGA-AN-02019\)](#)
- [MIPI D-PHY Bandwidth Matrix and Implementation \(FPGA-TN-02090\)](#)

Below are some useful links related to ECP5 and ECP5-5G family devices.

- [ECP5 and ECP5-5G page](#)
- [Boards, Demos, IP Cores and Reference Designs for ECP5 and ECP5-5G](#)
- [Lattice Insight for Lattice Semiconductor Training Series and Learning Plans](#)

For further information on interface standards, refer to the following websites.

- JEDEC Standards (LVTTTL, LVCMOS, SSTL): [www.jedec.org](http://www.jedec.org)
- PCI: [www.pcisig.com](http://www.pcisig.com)



## Technical Support Assistance

Submit a technical support case through [www.latticesemi.com/techsupport](http://www.latticesemi.com/techsupport).

For frequently asked questions, refer to the Lattice Answer Database at [www.latticesemi.com/Support/AnswerDatabase](http://www.latticesemi.com/Support/AnswerDatabase).

## Revision History

### Revision 3.3, January 2024

Section	Change Summary
Disclaimers	Updated this section.
Architecture	In the <a href="#">Device Configuration</a> section, added the following note for the SPI interface: <i>SPI Quad is not supported on the TQFP144 package.</i>

### Revision 3.2, August 2023

Section	Change Summary
Architecture	<ul style="list-style-type: none"> <li>In Table 2.13. LFE5UM/LFE5UM5G SerDes Standard Support, changed the Data Rate (Mb/s) of the JESD204A/B standard from 3125 to 312.5-3125 (for ECP5 family devices) / 5000 (for ECP5-5G family devices).</li> <li>Newly added the Digital Temperature Readout section.</li> </ul>
Supplemental Information	Newly added the links to the following pages: ECP5 and ECP5-5G page, Boards, Demos, IP Cores and Reference Designs for ECP5 and ECP5-5G, and Lattice Insight for Lattice Semiconductor Training Series and Learning Plans.

### Revision 3.1, March 2023

Section	Change Summary
Pinout Information	<ul style="list-style-type: none"> <li>Updated in Signal Description section: <ul style="list-style-type: none"> <li>Updated the descriptions of [L/R]DQS[group_num] and [T/R]]DQ[group_num] from <i>T (Top)</i> to <i>L (Left)</i>.</li> <li>Deleted <i>This is a shared I/O pin</i> from the description of HOLDN/DI/BUSY/CSSPIN/CEN.</li> </ul> </li> </ul>
Technical Support Assistance	Added Technical Support Assistance section.

### Revision 3.0, December 2022

Section	Change Summary
DC and Switching Characteristics	Added $t_R$ and $t_F$ values under AC Characteristics in Table 3.23.

### Revision 2.9, July 2022

Section	Change Summary
Architecture	<ul style="list-style-type: none"> <li>Corrected the number of clock dividers for ECP5/ECP5-5G from 2 to 4 in 2.6. Clock Dividers.</li> <li>Rephrased the sentence to explain how to use a single channel on a DCU in 2.15. SerDes and Physical Coding Sublayer.</li> </ul>
DC and Switching Characteristics	<ul style="list-style-type: none"> <li>In section 3.6. Hot Socketing Specifications: <ul style="list-style-type: none"> <li>Added description.</li> <li>Added hot socketing specifications for the condition '<math>0 &lt; V_{IN} &lt; V_{IH} (Max), V_{CC} &lt; V_{porup} (V_{CC})</math>' in Table 3.5.</li> <li>Added footnote no. 5</li> </ul> </li> <li>Updated Figure 3.1 to correct the typo errors</li> </ul>
Pinout Information	Changed the values of NC for LFE5U-12 and LFE5U-25 144TQFP package from 0 to 2 in 4.3.2. LFE5U.

### Revision 2.8, April 2022

Section	Change Summary
General Description	Corrected typographical errors.
DC and Switching Characteristics	<p>Updated values in Table 3.22. ECP5/ECP5-5G External Switching Characteristics (Generic DDRX2 Inputs With Clock and Data Centered at Pin (GDDR2_RX.ECLK.Centered) Using PCLK Clock Input, Left and Right sides Only)</p> <p>The following values for <i>DATA_GDDR2_centered</i> has been changed from the last release:</p> <ul style="list-style-type: none"> <li>–7 max: from 700 to 655.8</li> <li>–6 max: from 624 to 555.6</li> </ul> <p>The following values for <i>MAX_GDDR2_centered</i> has been changed from the last release:</p> <ul style="list-style-type: none"> <li>–7 max: from 350 to 327.9</li> <li>–6 max: from 312 to 277.8</li> </ul>

### Revision 2.7, October 2021

Section	Change Summary
Pinout Information	Changed the VCCAUX and NC pin count for LFE5U-25 285csfBGA in Table 4.3.2. LFE5U.

### Revision 2.6, September 2021

Section	Change Summary
All	<ul style="list-style-type: none"> <li>Minor adjustments to formatting across the document.</li> <li>Changed 12K and 84K to 12k and 84k across the document.</li> <li>Changed SERDES to SerDes across the document.</li> </ul>
General Description	Updated Table 1.1 to change LFE5U-12, LFE5U-25, and LFE5U-45 I/O count for 144 TQFP from 0/96 to 0/98.
DC and Switching Characteristics	Removed Preliminary word in the heading name of PCIe (5 Gb/s) AC and DC Characteristics and CPRI LV2 E.48 Electrical and Timing Characteristics.
Pinout Information	Updated 144 TQFP I/O count in LFE5U table.

### Revision 2.5, July 2021

Section	Change Summary
DC and Switching Characteristics	Added table note 4 in Table 3.12 Single Ended DC Characteristics.

### Revision 2.4, April 2021

Section	Change Summary
Introduction	Updated Table 1.1. ECP5 and ECP5-5G Family Selection Guide. Changed 144 TQFP dimensions to 20 mm × 20 mm, 0.5 mm.
DC and Switching Characteristics	Updated Table 3.5. Hot Socketing Specifications. Changed IPW to IPD in footnote 2.
Pinout Information	Added 144 TQFP values.

### Revision 2.3, March 2021

Section	Change Summary
Introduction	Updated Table 1.1. Changed 144 TQFP dimensions to 22 mm × 22 mm, 0.5 mm.
Ordering Information	<ul style="list-style-type: none"> <li>Updated figure in ECP5/ECP5-5G Part Number Description. Changed package to TG144.</li> <li>Updated tables in Commercial and Industrial. Changed OPNs from LFE5U-XXF-XTN144C and LFE5U-XXF-XTN144I to LFE5U-XXF-XTG144C and LFE5U-XXF-XTG144I.</li> </ul>
—	Minor adjustment in style. <i>XX × XX mm</i> changed to <i>XX mm × XX mm</i> .

### Revision 2.2, October 2020

Section	Change Summary
Disclaimers	Added this section.
Introduction	Updated Table 1.1.
Architecture	<ul style="list-style-type: none"> <li>Updated Table 2.7.</li> <li>Updated content of SerDes and Physical Coding Sublayer section to add VCC core information.</li> </ul>
DC and Switching Characteristics	<ul style="list-style-type: none"> <li>Updated Figure 3.14.</li> <li>Updated Supply Current (Static) to change Standby to Static.</li> <li>Updated note in Table 3.8.</li> <li>Updated Table 3.27 and Table 3.29.</li> </ul>
Pinout Information	<ul style="list-style-type: none"> <li>Updated table in Signal Descriptions section to remove GR_PCLK[Bank][num] row.</li> <li>Updated table in LFE5UM/LFE5UM5G to correct the Pin Type VCCAUX to VCCAUXA.</li> <li>Updated table in LFE5U to add column for TQFP 144 package and correct the pin count for caBGA 381 package.</li> </ul>
Ordering Information	<ul style="list-style-type: none"> <li>Updated figure in ECP5/ECP5-5G Part Number Description.</li> <li>Updated table in Commercial and Industrial.</li> </ul>

### Revision 2.1, April 2019

Section	Change Summary
General Description	In the Features section, changed feature to <i>subLVDS and SLVS, SoftIP MIPI D-PHY receiver/transmitter interfaces</i> under Programmable sysI/O™ Buffer Supports Wide Range of Interfaces.
Architecture	Updated the Supported sysI/O Standards section.
DC and Switching Characteristics	<ul style="list-style-type: none"> <li>Updated sysI/O Recommended Operating Conditions</li> <li>Table 3.11. sysI/O Recommended Operating Conditions.</li> <li>Added/revised standards and values.</li> <li>Corrected typo from LVCOM to LVCMOS.</li> <li>Updated Table 3.12. Single-Ended DC Characteristics.</li> <li>Corrected typo from LVCOM to LVCMOS.</li> </ul>
Pinout Information	<ul style="list-style-type: none"> <li>Updated Configuration Pads (Used during sysCONFIG) in Signal Descriptions table.</li> <li>Removed note 3.</li> </ul>
Supplemental Information	<ul style="list-style-type: none"> <li>Updated document numbers of: <ul style="list-style-type: none"> <li>PCB Layout Recommendations for BGA Packages to FPGA-TN-02024</li> <li>ECP5 and ECP5-5G sysI/O Usage Guide to FPGA-TN-02032</li> <li>ECP5 and ECP5-5G High-Speed I/O Interface to FPGA-TN-02035</li> </ul> </li> <li>Added MIPI D-PHY Bandwidth Matrix and Implementation Technical Note.</li> </ul>
All	Minor editorial changes.

### Revision 2.0, April 2018

Section	Change Summary
Pin Information Summary	Adjusted tables in the LFE5UM/LFE5UM5G and the LFE5U sections.
Supplemental Information	Updated document number of ECP5 and ECP5-5G sysCONFIG Usage Guide to FPGA-TN-02039.

### Revision 1.9, March 2018

Section	Change Summary
All	Updated formatting and page referencing.
General Description	Updated Table 1.1. ECP5 and ECP5-5G Family Selection Guide. Added caBGA256 package in LFE5U-45.
Architecture	Added a row for SGMII in Table 2.13. LFE5UM/LFE5UM5G SerDes Standard Support. Updated footnote #1.
DC and Switching Characteristics	<ul style="list-style-type: none"> <li>Updated Table 3.2. Recommended Operating Conditions.</li> <li>Added 2 rows and updated values in Table 3.7. DC Electrical Characteristics.</li> <li>Updated Table 3.8. ECP5/ECP5-5G Supply Current (Standby).</li> <li>Updated Table 3.11. sysI/O Recommended Operating Conditions.</li> <li>Updated Table 3.12. Single-Ended DC Characteristics.</li> <li>Updated Table 3.13. LVDS.</li> <li>Updated Table 3.14. LVDS25E DC Conditions.</li> <li>Updated Table 3.21. ECP5/ECP5-5G Maximum I/O Buffer Speed.</li> <li>Updated Table 3.28. Receiver Total Jitter Tolerance Specification.</li> <li>Updated header name of section 3.28 CPRI LV E.24/SGMII(2.5 Gbps) Electrical and Timing Characteristics.</li> <li>Updated header name of section 3.29 Gigabit Ethernet/SGMII (1.25 Gbps)/CPRI LV E.12 Electrical and Timing Characteristics.</li> </ul>
Pinout Information	Updated table in section 4.3.2 LFE5U.
Ordering Information	<ul style="list-style-type: none"> <li>Added table rows in 5.2.1 Commercial.</li> <li>Added table rows in 5.2.2 Industrial.</li> </ul>
Supplemental Information	Updated For Further Information section.

### Revision 1.8, November 2017

Section	Change Summary
General Description	Updated Table 1.1. ECP5 and ECP5-5G Family Selection Guide. Added caBGA256 package in LFE5U-12 and LFE5U-25.

### Revision 1.7, April 2017

Section	Change Summary
All	Changed document number from DS1044 to FPGA-DS-02012.
General Description	Updated Features section. Changed 1.1 V core power supply to 1.1 V core power supply for ECP5, 1.2 V core power supply for ECP5UM5G.
Architecture	Updated Overview section. Change The ECP5/ECP5-5G devices use 1.1 V as their core voltage to The ECP5 devices use 1.1 V, ECP5UM5G devices use 1.2 V as their core voltage.
DC and Switching Characteristics	<ul style="list-style-type: none"> <li>Updated Table 3.2. Recommended Operating Conditions.</li> <li>Added ECP5-5G on <math>V_{CC}</math> to be 1.2V +/- 5%.</li> <li>Added ECP5-5G on <math>V_{CCA}</math> to be 1.2V +/- 3%.</li> <li>Updated Table 3.8. ECP5/ECP5-5G Supply Current (Standby).</li> <li>Changed Core Power Supply Current for ICC on LFE5UM5G devices.</li> <li>Changed SerDes Power Supply Current (Per Dual) for ICCA on LFE5UM5G devices.</li> <li>Updated Table 3.20. Register-to-Register Performance.</li> <li>Remove (DDR/SDR) from DSP Function.</li> <li>Changed DSP functions to 225 MHz.</li> </ul>
Pinout Information	Update Section 4.1 Signal Description. Revised Vcc Description to <i>Power supply pins for core logic. Dedicated pins. <math>V_{CC} = 1.1 V</math> (ECP5), <math>1.2 V</math> (ECP5UM5G).</i>

### Revision 1.6, February 2016

Section	Change Summary
All	Changed document status from Preliminary to Final.
General Description	<ul style="list-style-type: none"> <li>Updated Features section. Changed 24K to 84K LUTs to 12K to 84K LUTs.</li> <li>Added LFE5U-12 column to Table 1.1. ECP5 and ECP5-5G Family Selection Guide.</li> </ul>
DC and Switching Characteristics	<ul style="list-style-type: none"> <li>Updated Power up Sequence section.</li> <li>Identified typical ICC current for specific devices in Table 3.8. ECP5/ECP5-5G Supply Current (Standby).</li> <li>Updated values in Table 3.9. ECP5.</li> <li>Updated values in Table 3.10. ECP5-5G.</li> <li>Added values to –8 Timing column of Table 3.19. Pin-to-Pin Performance.</li> <li>Added values to –8 Timing column of Table 3.20. Register-to-Register Performance.</li> <li>Changed LFE5-45 to All Devices in Table 3.22. ECP5/ECP5-5G External Switching Characteristics.</li> <li>Added table notes to Table 3.31. PCIe (5 Gb/s).</li> <li>Added table note to Table 3.32. CPRI LV2 E.48 Electrical and Timing Characteristics.</li> <li>Added values to Max column of Table 3.39. Transmit.</li> </ul>
Pinout Information	Added LFE5U-12 column to the table in LFE5U section.
Ordering Information	Updated LFE5U in ECP5/ECP5-5G Part Number Description section: added 12 F = 12K LUTs to Logic Capacity. Added LFE5U-12F information to Ordering Part Numbers section.

### Revision 1.5, November 2015

Section	Change Summary
All	<ul style="list-style-type: none"> <li>Added ECP5-5G device family.</li> <li>Changed document title to ECP5 and ECP5-5G Family Data Sheet.</li> </ul>

### Revision 1.4, November 2015

Section	Change Summary
General Description	Updated Features section. Added support for eDP in RDR and HDR.
Architecture	<ul style="list-style-type: none"> <li>Updated Overview section. <ul style="list-style-type: none"> <li>Revised Figure 2.1. Simplified Block Diagram, LFE5UM/LFE5UM5G-85 Device (Top Level). Modified Flexible sys/O description and Note.</li> </ul> </li> <li>Updated SerDes and Physical Coding Sublayer section. <ul style="list-style-type: none"> <li>Changed E.24.V in CPRI protocol to E.24.LV.</li> <li>Removed 1.1 V from paragraph on unused Dual.</li> </ul> </li> </ul>
DC and Switching Characteristics	<ul style="list-style-type: none"> <li>Updated Hot Socketing Requirements section. Revised VCCHTX in table notes 1 and 3. Indicated VCCHTX in table note 4.</li> <li>Updated SerDes High-Speed Data Transmitter section. Revised VCCHTX in table note 1.</li> </ul>
Ordering Information	Updated ECP5/ECP5-5G Part Number Description section. Changed LFE5 FPGA under Device Family to ECP5 FPGA.

### Revision 1.3, August 2015

Section	Change Summary
General Description	Updated Features section. <ul style="list-style-type: none"> <li>Removed SMPTE3G under Embedded SerDes.</li> <li>Added Single Event Upset (SEU) Mitigation Support.</li> <li>Removed SMPTE protocol in fifth paragraph.</li> </ul>
Architecture	General update.

Section	Change Summary
DC and Switching Characteristics	General update.
Pinout Information	Updated Signal Descriptions section. Revised the descriptions of the following signals: <ul style="list-style-type: none"> <li>• P[L/R] [Group Number]_[A/B/C/D]</li> <li>• P[T/B][Group Number]_[A/B]</li> <li>• D4/IO4 (Previously named D4/MOSI2/IO4)</li> <li>• D5/IO5 (Previously named D5/MISO/IO5)</li> <li>• VCCHRX_D[dual_num]CH[chan_num]</li> <li>• VCCHTX_D[dual_num]CH[chan_num]</li> </ul>
Supplemental Information	Added TN1184 reference.

### Revision 1.2, August 2014

Section	Change Summary
All	Changed document status from Advance to Preliminary.
General Description	<ul style="list-style-type: none"> <li>• Updated Features section.</li> <li>• Deleted Serial Rapid I/O protocol under Embedded SerDes.</li> <li>• Corrected data rate under Pre-Engineered Source Synchronous I/O.</li> <li>• Changed DD3. LPDDR3 to DDR2/3, LPDDR2/3.</li> <li>• Mentioned transmit de-emphasis pre- and post-cursors.</li> </ul>
Architecture	<ul style="list-style-type: none"> <li>• Updated Overview section.</li> <li>• Revised description of PFU blocks.</li> <li>• Specified SRAM cell settings in describing the control of SerDes/PCS duals.</li> <li>• Updated SerDes and Physical Coding Sublayer section.</li> <li>• Changed PCI Express 2.0 to PCI Express Gen1 and Gen2.</li> <li>• Deleted Serial RapidIO protocol.</li> <li>• Updated Table 2.13. LFE5UM/LFE5UM5G SerDes Standard Support.</li> <li>• Updated Table 2.15. LFE5UM/LFE5UM5G Mixed Protocol Support.</li> <li>• Updated On-Chip Oscillator section.</li> <li>• Deleted 130 MHz ±15% CMOS oscillator.</li> <li>• Updated Table 2.16. Selectable Master Clock (MCLK) Frequencies during Configuration (Nominal)</li> </ul>
DC and Switching Characteristics	<ul style="list-style-type: none"> <li>• Updated Absolute Maximum Ratings section. Added supply voltages <math>V_{CCA}</math> and <math>V_{CCAUXA}</math>.</li> <li>• Updated sysI/O Recommended Operating Conditions section. Revised HSULD12D <math>V_{CCIO}</math> values and removed table note.</li> <li>• Updated sysI/O Single-Ended DC Electrical Characteristics section. Revised some values for SSTL15_I, SSTL15_II, SSTL135_I, SSTL15_II, and HSUL12. <ul style="list-style-type: none"> <li>• Updated External Switching Characteristics section. Changed parameters to <math>t_{SKEW\_PR\ V_{CCA}}</math> and <math>t_{SKEW\_EDGE}</math> and added LFE5-85 as device.</li> <li>• Updated ECP5 Family Timing Adders section. Added SSTL135_II buffer type data. Removed LVCMOS33_20mA, LVCMOS25_20mA, LVCMOS25_16mA, LVCMOS25D_16mA, and LVCMOS18_16mA buffer types. Changed buffer type to LVCMOS12_4mA and LVCMOS12_8mA.</li> <li>• Updated Maximum I/O Buffer Speed section. Revised Max values.</li> <li>• Updated sysCLOCK PLL Timing section. Revised <math>t_{DT}</math> Min and Max values. Revised <math>t_{OPJIT}</math> Max value. Revised number of samples in table note 1.</li> <li>• Updated SerDes High-Speed Data Transmitter section. Updated Table 3.24. Serial Output Timing and Levels and Table 3.25. Channel Output Jitter.</li> <li>• In SerDes High-Speed Data Receiver section, updated Table 3.26. Serial Input Data Specifications, Table 3.28. Receiver Total Jitter Tolerance Specification, and Table 3.29. External Reference Clock Specification (refclkp/refclkn).</li> <li>• Modified section heading to XXAUI/CPRI LV E.30 Electrical and Timing Characteristics. Updated Table 3.33 Transmit and Table 3.34. Receive and Jitter Tolerance.</li> </ul> </li> </ul>

Section	Change Summary
	<ul style="list-style-type: none"> <li>Modified section heading to CPRI LV E.24 Electrical and Timing Characteristics. Updated Table 3.35. Transmit and Table 3.36. Receive and Jitter Tolerance.</li> <li>Modified section heading to Gigabit Ethernet/SGMII/CPRI LV E.12 Electrical and Timing Characteristics. Updated Table 3.37. Transmit and Table 3.38. Receive and Jitter Tolerance.</li> </ul>

**Revision 1.1, June 2014**

Section	Change Summary
Ordering Information	Updated ECP5/ECP5-5G Part Number Description and Ordering Part Numbers sections.

**Revision 1.0, March 2014**

Section	Change Summary
All	Initial release.





[www.latticesemi.com](http://www.latticesemi.com)