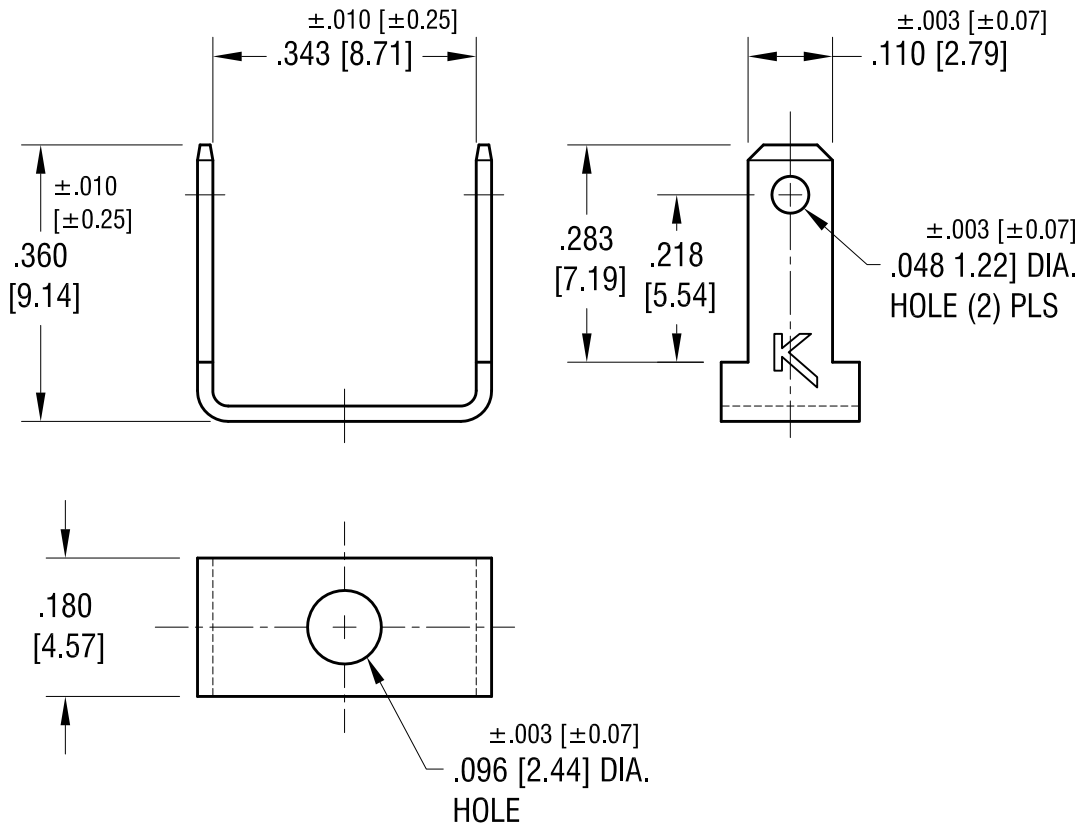


THIS DOCUMENT IS THE PROPERTY OF KEYSTONE ELECTRONICS CORP. AND SHALL NOT BE REPRODUCED, DISTRIBUTED OR USED AS A BASIS FOR MANUFACTURE WITHOUT PRIOR WRITTEN PERMISSION FROM KEYSTONE ELECTRONICS CORP.

ACTUAL SIZE



 FILE NUMBER: E201546

KEYSTONE ELECTRONICS CORP.			
www.keyelco.com • NEW HYDE PARK NY 11040 • Tel (516)328-7500			
8.21.23	CHANGE AS PER ECN23-142	E	PART NAME .110 QUICK-FIT TERMINAL
5.13.19	CHANGE AS PER ECN-050	D	MATERIAL .020 [0.50] TH'K BRASS
5.17.17	CHANGE AS PER ECR 17-025	C	FINISH BRIGHT BRASS
8.23.12	CHANGE AS PER ECN 12-115	B	DRN BY BOONE DATE 4.15.96
4.12.01	CHANGE AS PER ECN 01-023	A	APP'D MR SCALE 4X
DATE	DESCRIPTION	REV.	TOLERANCES INCH [MM] DECIMAL $\pm .005$ [± 0.13] ANGULAR $\pm 1^\circ$ UNLESS OTHERWISE SPECIFIED
			CODE C
			DWG NO. 2003