

1

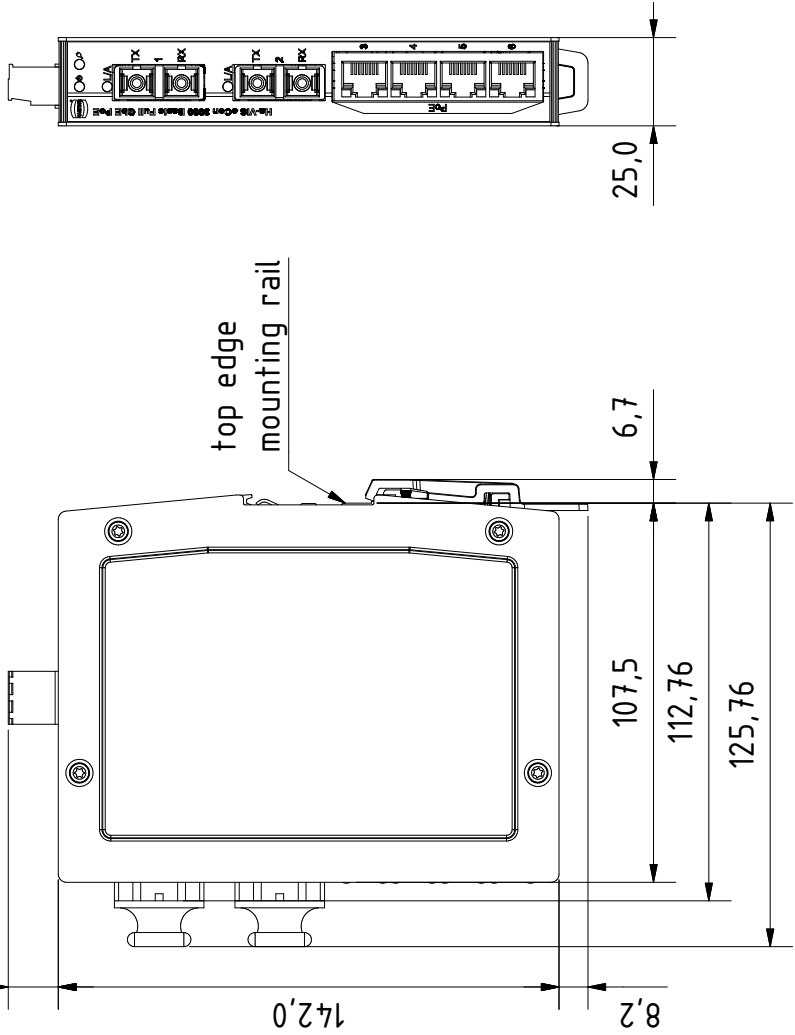
2

3


4

5

6



for mounting rail acc.to DIN EN 60715

	All rights reserved Department EL_PD - DE		All Dimensions in mm Original Size DIN A4		Scale 1:2	Free size tol.	Ref. Sub.
	HARTING Electric GmbH & Co. KG D-32339 Espelkamp		Created by STK	Inspected by KLA	Standardisation TIE	Date 2014-01-17	State Final Release
Title Ha-VIS eCon 3042GBT-AD-P			Doc-Key / ECM-Nr.		Type TB		
Number 24034042120			Rev. A		Page 1/1		

