

2-2394071-2 ✓ ACTIVE

PowerTube | PowerTube HVP-HD 1000

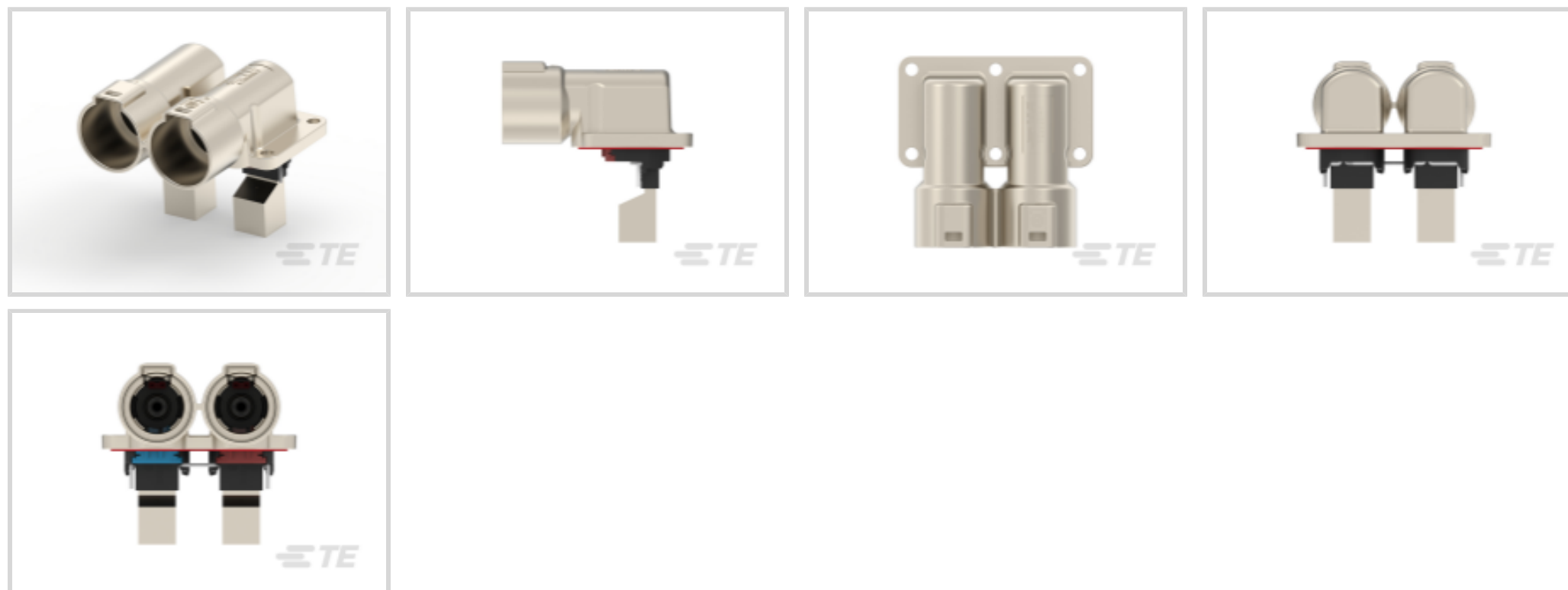
TE Internal #: 2-2394071-2

Bus Bar-to-Wire, 2 Position, 36 mm [1.417 in] Centerline, Header & Push-Push Assembly, Silver (Ag), Through Hole - Screw, PowerTube HVP-HD 1000

[View on TE.com >](#)



Connectors > PCB Connectors > PCB Headers & Receptacles > HVP HD1000 90 deg



Connector System: **Bus Bar-to-Wire**

Number of Positions: **2**

Number of Rows: **1**

Centerline (Pitch): **36 mm [1.417 in]**

Termination Method to PCB: **Through Hole - Screw**

[All HVP HD1000 90 deg \(90\)](#)

Features

Product Type Features

Connector System	Bus Bar-to-Wire
Header Type	Header & Push-Push Assembly
Sealable	Yes
Connector & Contact Terminates To	Bus Bar

Configuration Features

Number of Positions	2
Number of Rows	1

Electrical Characteristics

Nominal Voltage Architecture	1000 V
Operating Voltage	1000 VAC

Body Features

Connector & Keying Code	C/D
-------------------------	-----



Primary Product Color	Blue, Purple
-----------------------	--------------

Contact Features

Mating Pin Diameter	10 mm[.393 in]
Contact Mating Area Plating Material	Silver (Ag)
Contact Type	Pin

Termination Features

Termination Method to PCB	Through Hole - Screw
---------------------------	----------------------

Mechanical Attachment

Mating Alignment Type	Polarization
Connector Mounting Type	Panel Mount
Mating Alignment	With

Housing Features

Centerline (Pitch)	36 mm[1.417 in]
--------------------	-----------------

Usage Conditions

Operating Temperature (Max)	140 °C[284 °F]
Operating Temperature Range	-40 – 140 °C[-40 – 284 °F]

Operation/Application

Circuit Application	Power
---------------------	-------

Industry Standards

Degree of Protection	IP6K9K
UL Flammability Rating	UL 94V-0

Packaging Features

Packaging Method	Container
------------------	-----------

Product Compliance

[For compliance documentation, visit the product page on TE.com>](#)

EU RoHS Directive 2011/65/EU	Compliant
EU ELV Directive 2000/53/EC	Compliant
China RoHS 2 Directive MIIT Order No 32, 2016	No Restricted Materials Above Threshold
EU REACH Regulation (EC) No. 1907/2006	Current ECHA Candidate List: JUNE 2024 (241) Candidate List Declared Against: JUNE 2024 (241)



SVHC > Threshold:

Octamethylcyclotetrasiloxane (D4) (10% in Component Part)

Article Safe Usage Statements:

Wash thoroughly after handling. Recycle if possible and dispose of the article by following all applicable governmental regulations relevant to your geographic location.

Halogen Content

BFR/CFR/PVC Free, but Br/Cl >900 ppm in other sources.

Solder Process Capability

Not reviewed for solder process capability

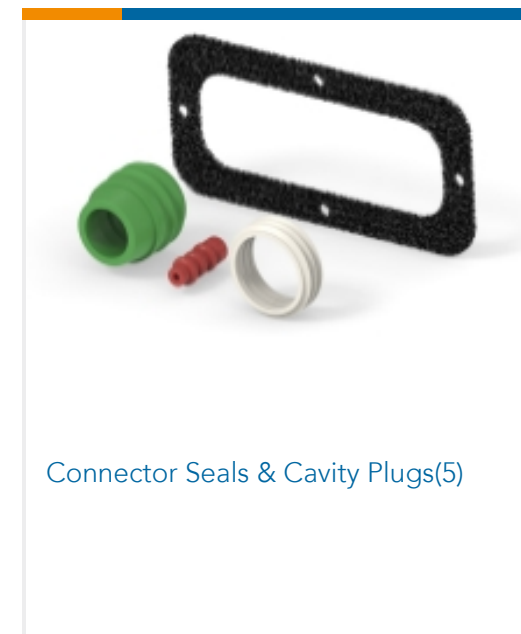
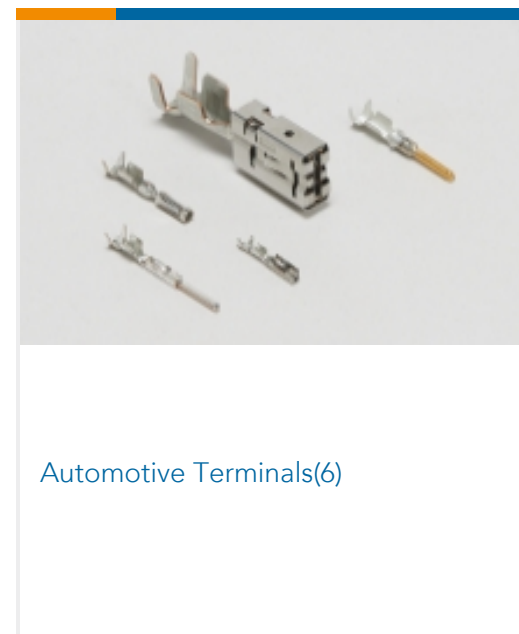
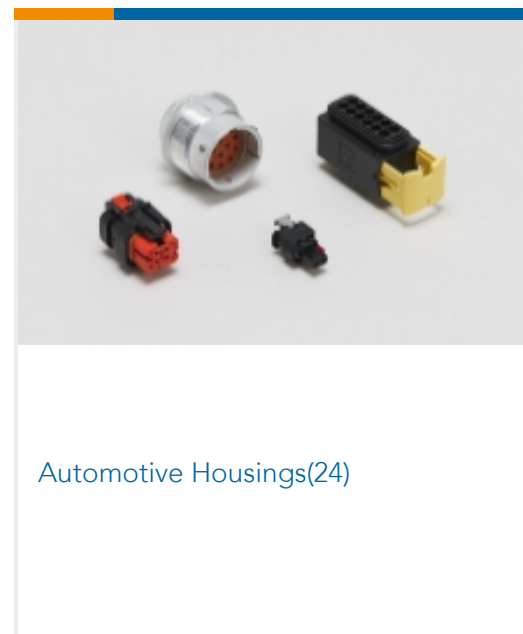
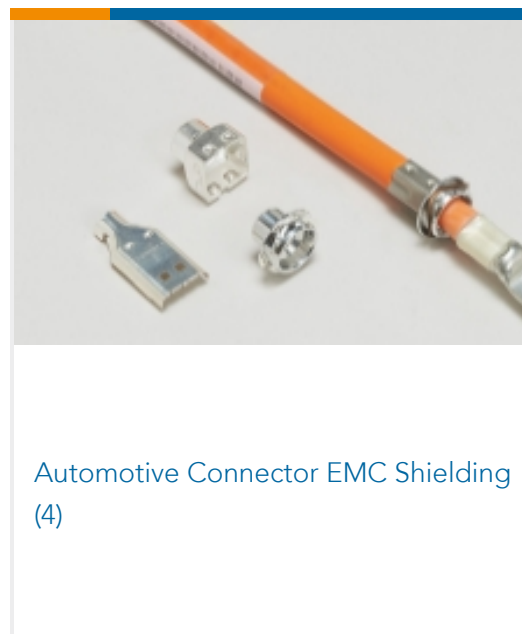
Product Compliance Disclaimer

This information is provided based on reasonable inquiry of our suppliers and represents our current actual knowledge based on the information they provided. This information is subject to change. The part numbers that TE has identified as EU RoHS compliant have a maximum concentration of 0.1% by weight in homogenous materials for lead, hexavalent chromium, mercury, PBB, PBDE, DBP, BBP, DEHP, DIBP, and 0.01% for cadmium, or qualify for an exemption to these limits as defined in the Annexes of Directive 2011/65/EU (RoHS2). Finished electrical and electronic equipment products will be CE marked as required by Directive 2011/65/EU. Components may not be CE marked. Additionally, the part numbers that TE has identified as EU ELV compliant have a maximum concentration of 0.1% by weight in homogenous materials for lead, hexavalent chromium, and mercury, and 0.01% for cadmium, or qualify for an exemption to these limits as defined in the Annexes of Directive 2000/53/EC (ELV). Regarding the REACH Regulation, the information TE provides on SVHC in articles for this part number is based on the latest European Chemicals Agency (ECHA) 'Guidance on requirements for substances in articles' posted at this URL: <https://echa.europa.eu/guidance-documents/guidance-on-reach>

Compatible Parts



Also in the Series | PowerTube HVP-HD 1000



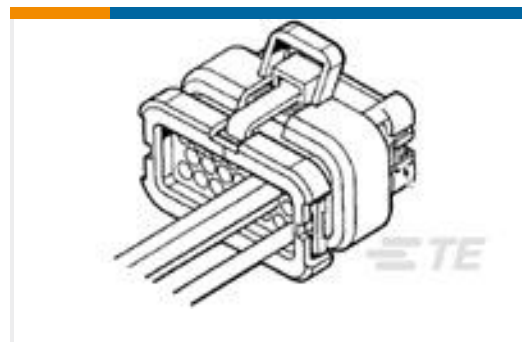
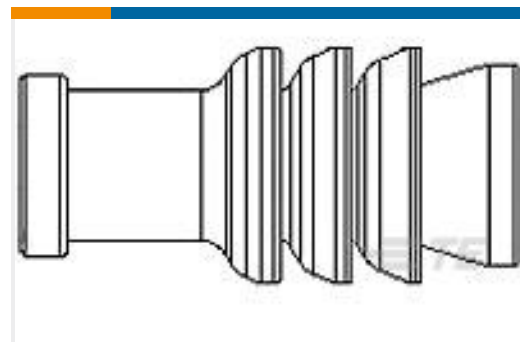


Other Automotive Connector Accessories(29)



PCB Headers & Receptacles(180)

Customers Also Bought

TE Part #776273-1
14POS,AMPSEAL,SOC HSG ASSY,SLD,
COD 1TE Part #967067-2
MQS EINZELLEITDICHTTE Part #6437288-6
26POS,AMP SUPERSEAL 1.0MM,PIN
HSG ASSYTE Part #1670208-2
MQS1,5 AgSn rec circuit board CB
unseal.TE Part #2-2394071-1
2POS,HVP1000,ASSY,90DEG,COD A/BTE Part #2395861-3
H&S 70mm, Inner housingTE Part #2399679-2
Power Tube HVP-HD 1400 AccessoriesTE Part #2236437-1
OVERMOULDING,PIN CARRIER
12POS,ASSY

Documents

Product Drawings

2POS,HVP1000,ASSY,90DEG,COD C/D

English

CAD Files

3D PDF

3D

Customer View Model

ENG_CVM_CVM_2-2394071-2_B.2d_dxf.zip

English

Customer View Model

ENG_CVM_CVM_2-2394071-2_B.3d_stp.zip

English

Customer View Model

ENG_CVM_CVM_2-2394071-2_B.3d_igs.zip

English

By downloading the CAD file I accept and agree to the [Terms and Conditions](#) of use.



Datasheets & Catalog Pages

HIVONEX CONNECTORS & CHARGING SOLUTIONS

English

Product Specifications

Application Specification

English