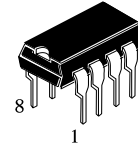


Low-Power, Slew-Rate-Limited RS-485/RS-422 Transceivers

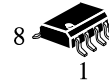
Description

The HT6506 is low-power transceivers for RS-485 and RS-422 communication. IC contains one driver and one receiver. The driver slew rates of the HT6506 is not limited, allowing them to transmit up to 10Mbps.

These transceivers draw between 120 μ A and 500 μ A of supply current when unloaded or fully loaded with disabled drivers. All parts operate from a single 3.3V supply. Drivers are short-circuit current limited and are protected against excessive power dissipation by thermal shutdown circuitry that places the driver outputs into a high-impedance state. The receiver input has a fail-safe feature that guarantees a logic-high output if the input is open circuit.



DIP8-8 N SUFFIX
HT6506ANZ



SOP-8 R SUFFIX
HT6506ARZ



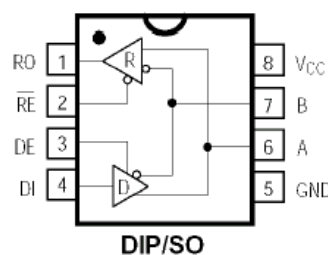
MSOP-8 M SUFFIX
HT6506ARMZ

T_A = -40° to 85°C for all packages.

Features

- Low Quiescent Current: 120 μ A
- -7V to +12V Common-Mode Input Voltage Range
- Three-State Outputs
- 80ns Propagation Delays, 5ns Skew
- Half-Duplex Versions Available
- Operate from a Single 3.3V Supply
- Allows up to 32 Transceivers on the Bus
- Data rate: 10 Mbps
- Current-Limiting and Thermal Shutdown for Driver Overload Protection
- Enhanced ESD Specifications:
 - ±15kV IEC61000-4-2 Air Discharge
 - ±8kV IEC61000-4-2 Contact Discharge

Pin Description



ABSOLUTE MAXIMUM RATINGS

Supply Voltage (V_{CC}) 7V	Continuous Power Dissipation ($T_A = +70^\circ\text{C}$)
Control Input Voltage -0.3V to 7V	8-Pin Plastic DIP (derate 9.09mW/ $^\circ\text{C}$ above +70 $^\circ\text{C}$) 727mW
Driver Input Voltage (DI) -0.3V to 7V	8-Pin SOP (derate 5.88mW/ $^\circ\text{C}$ above +70 $^\circ\text{C}$) 471mW
Driver Output Voltage (A, B) -7.5V to +12.5V	Operating Temperature Ranges -40 $^\circ\text{C}$ to +85 $^\circ\text{C}$
Receiver Input Voltage (A, B) -7.5V to +12.5V	Storage Temperature Range -65 $^\circ\text{C}$ to +160 $^\circ\text{C}$
Receiver Output Voltage (RO) -0.3V to ($V_{CC}+0.3V$)	Lead Temperature (soldering, 10sec) +300 $^\circ\text{C}$

* Stresses beyond those listed under "absolute maximum ratings" may cause permanent damage to the device. These are stress ratings only and functional operation of the device at these or any other conditions beyond those indicated under "recommended operating conditions" is not implied. Exposure to absolute-maximum-rated conditions for extended periods may affect device reliability.

DC ELECTRICAL CHARACTERISTICS

($V_{CC} = 3.3V \pm 0.3V$, $T_A = T_{MIN}$ to T_{MAX} , unless otherwise noted.) (Notes 1, 2)

PARAMETER	SYMBOL	CONDITIONS	MIN	TYP	MAX	UNITS
Differential Driver Output (no load)	V_{OD1}				3	V
Differential Driver Output (with load)	V_{OD2}	R = 100 Ω (RS-422)	1			V
		R = 54 Ω (RS-485), Figure 4	0.8			
Change in Magnitude of Driver Differential Output Voltage for Complementary Output States	ΔV_{OD}	R = 54 Ω or 50 Ω , Figure 4			0.2	V
Driver Common-Mode Output Voltage	V_{OC}	R = 54 Ω or 100 Ω , Figure 4			2	V
Change in Magnitude of Driver Common-Mode Output Voltage for Complementary Output States	ΔV_{OC}	R = 54 Ω or 100 Ω , Figure 4			0.2	V
Input High Voltage	V_{IH}	DE, DI, RE	2.0			V
Input Low Voltage	V_{IL}	DE, DI, RE			0.8	V
Input Current	I_{IN1}	DE, DI, RE			± 2	μA
Input Current (A, B)	I_{IN2}	DE = 0V; $V_{CC} = 0V$ or 3.35V	$V_{IN} = 12V$		1.0	mA
			$V_{IN} = -7V$		-0.8	
Receiver Differential Threshold Voltage	V_{TH}	$-7V \leq V_{CM} \leq 12V$	-0.2		0.2	V
Receiver Input Hysteresis	ΔV_{TH}	$V_{CM} = 0V$		70		mV
Receiver Output High Voltage	V_{OH}	$I_o = -1.5mA$, $V_{ID} = 200mV$	2.5			V
Receiver Output Low Voltage	V_{OL}	$I_o = 2.5mA$, $V_{ID} = -200mV$			0.4	V
Three-State (high impedance) Output Current at Receiver	I_{OZR}	$0.4V \leq V_o \leq 2.4V$			± 1	μA
Receiver Input Resistance	R_{IN}	$-7V \leq V_{CM} \leq 12V$	12			k Ω

DC ELECTRICAL CHARACTERISTICS (continued)

 ($V_{CC} = 3.3V \pm 0.3V$, $T_A = T_{MIN}$ to T_{MAX} , unless otherwise noted.) (Notes 1, 2)

PARAMETER	SYMBOL	CONDITIONS	MIN	TYP	MAX	UNITS
No-Load Supply Current (Note 3)	I_{CC}	$DE = V_{CC}$		500	800	μA
		$\overline{RE} = 0V$ or V_{CC}		300	400	
		$DE = 0V$				
Driver Short-Circuit Current,	I_{OSD1}	$-7V \leq V_O \leq 12V$ (Note 4)			250	mA
$V_O =$ High Driver Short-Circuit Current	I_{OSD2}	$-7V \leq V_O \leq 12V$ (Note 4)			250	mA
$V_O =$ Low Receiver Short-Circuit Current	I_{OSR}	$0V \leq V_O \leq V_{CC}$	± 6.5		95	mA
ESD Protection		A, B, Y and Z pins, tested using Human Body Model		± 15		kV

SWITCHING CHARACTERISTICS

 ($V_{CC} = 3.3V \pm 0.3V$, $T_A = T_{MIN}$ to T_{MAX} , unless otherwise noted.) (Notes 1, 2)

PARAMETER	SYMBOL	CONDITIONS	MIN	TYP	MAX	UNITS
Driver Input to Output	t_{PLH}	$R_{DIFF} = 54\Omega$	10	80	100	ns
	t_{PHL}	$C_{L1} = C_{L2} = 100pF$	10	80	100	
Driver Output Skew to Output	t_{SKEW}	$R_{DIFF} = 54\Omega$, $C_{L1} = C_{L2} = 100pF$		5	10	ns
Driver Enable to Output High	t_{ZH}	$C_L = 100pF$, S2 closed		55	80	ns
Driver Enable to Output Low	t_{ZL}	$C_L = 100pF$, S1 closed		55	80	ns
Driver Disable Time from Low	t_{LZ}	$C_L = 15pF$, S1 closed		60	90	ns
Driver Disable Time from High	t_{HZ}	$C_L = 15pF$, S2 closed		60	90	ns
$ t_{PLH} - t_{PHL} $ Differential	t_{SKD}	$R_{DIFF} = 54\Omega$		13	20	ns
Receiver Input to Output	t_{PLH}	$R_{DIFF} = 54\Omega$	20	120	200	ns
	t_{PHL}	$C_{L1} = C_{L2} = 100pF$	20	120	200	
Receiver Skew $ t_{PLH} - t_{PHL} $		$C_{L1} = C_{L2} = 100pF$		5	10	
Receiver Enable to Output Low	t_{ZL}	$C_{RL} = 15pF$, S1 closed		50	90	ns
Receiver Enable to Output High	t_{ZH}	$C_{RL} = 15pF$, S2 closed		50	90	ns
Receiver Disable Time from Low	t_{LZ}	$C_{RL} = 15pF$, S1 closed		40	80	ns
Receiver Disable Time from High	t_{HZ}	$C_{RL} = 15pF$, S2 closed		40	80	ns
Maximum Data Rate	f_{MAX}		2.5	5	10	Mbps

Note 1: All currents into device pins are positive; all currents out of device pins are negative. All voltages are referenced to device ground unless otherwise specified.

Note 2: All typical specifications are given for $V_{CC}=3.3V$ and $T_A=+25^\circ C$.

Note 3: Supply current specification is valid for loaded transmitters when $DE=0V$.

Note 4: Applies to peak current.

TEST CIRCUITS

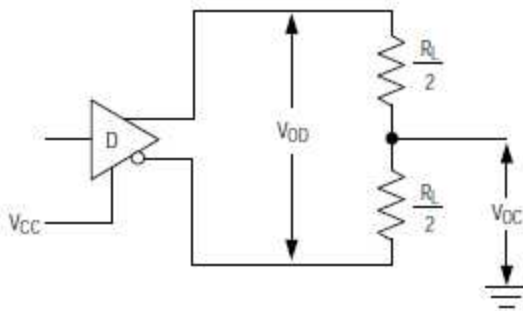


Figure 1. Driver V_{OD} and V_{CC}

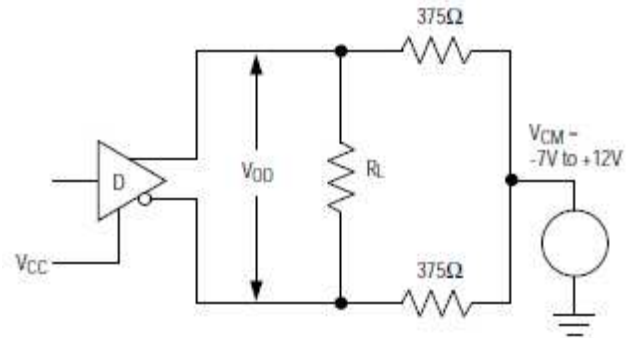


Figure 2. Driver V_{OD} with Varying Common-Mode Voltage

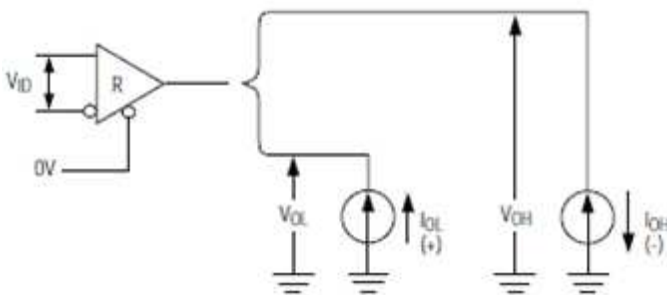


Figure 3. Receiver V_{OH} and V_{OL}

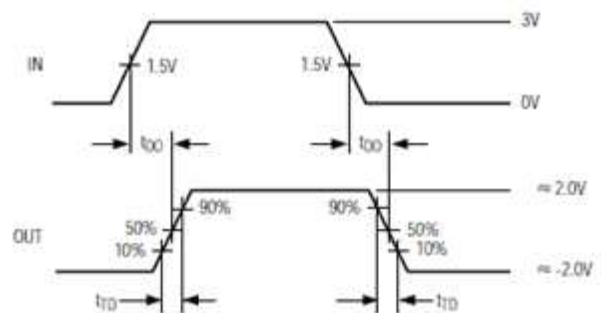
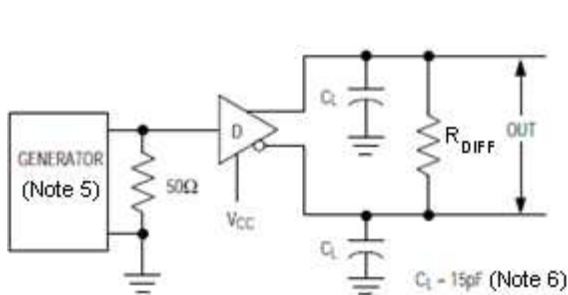


Figure 4. Driver Differential Output Delay and Transition Times

TEST CIRCUITS (continue)

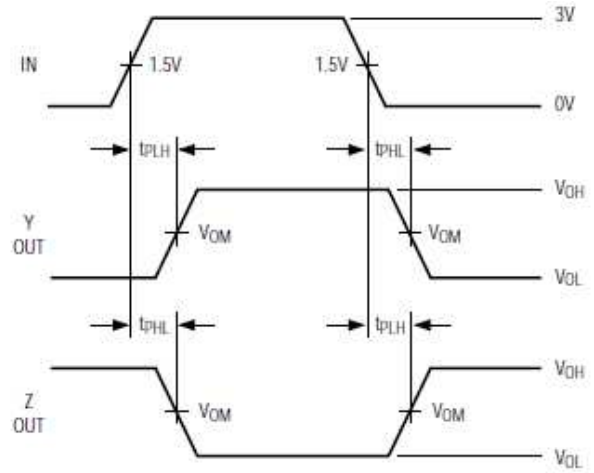
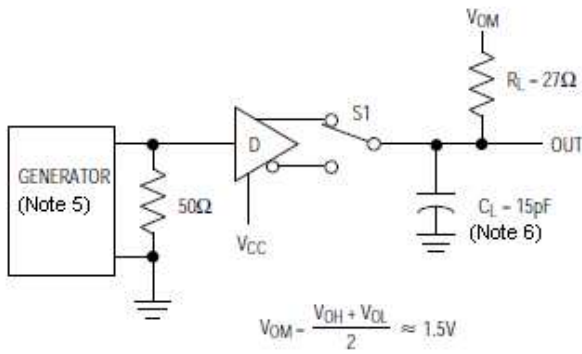


Figure 5. Driver Propagation Times

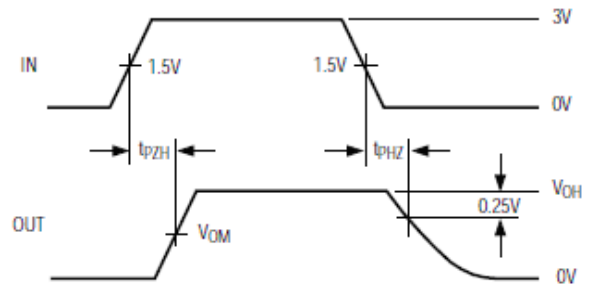
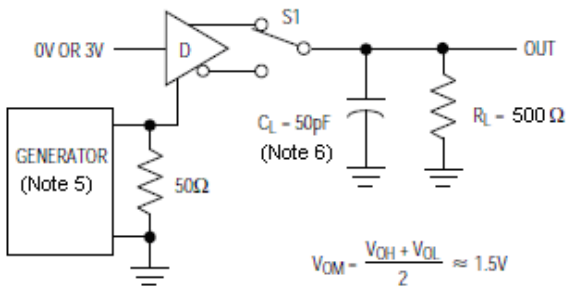


Figure 6. Driver Enable and Disable Times (t_{PZH} , t_{PSH} , t_{PHZ})

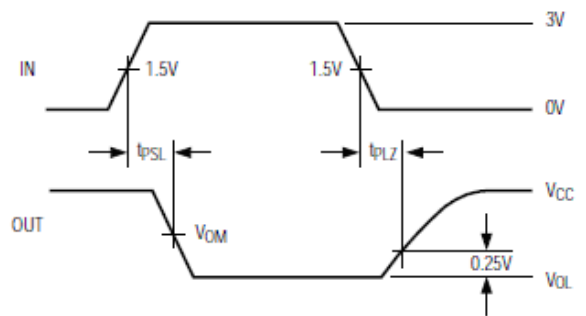
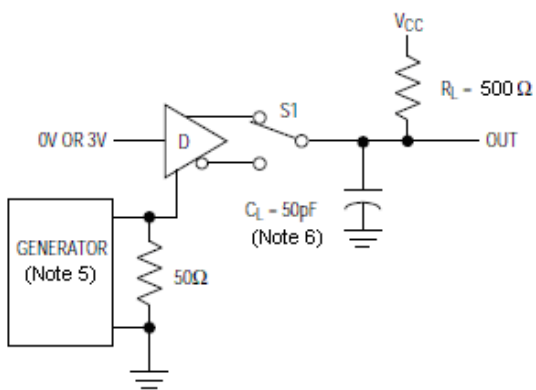


Figure 7. Driver Enable and Disable Times (t_{PZL} , t_{PSL} , t_{PLZ})

TEST CIRCUITS (continue)

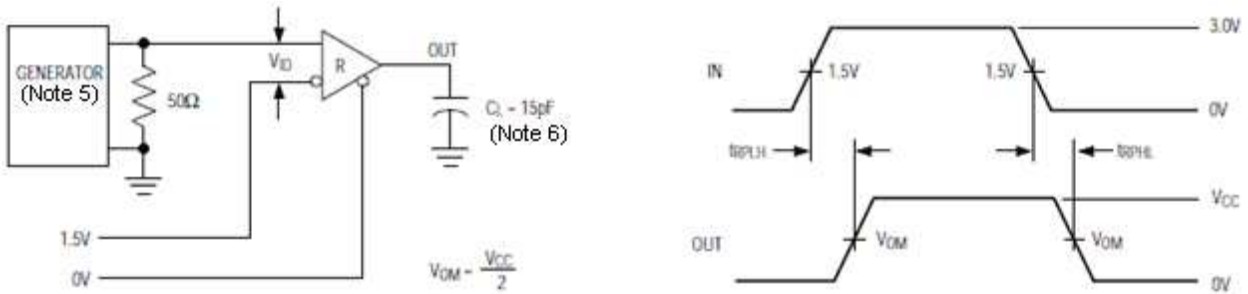


Figure 8. Receiver Propagation Delay

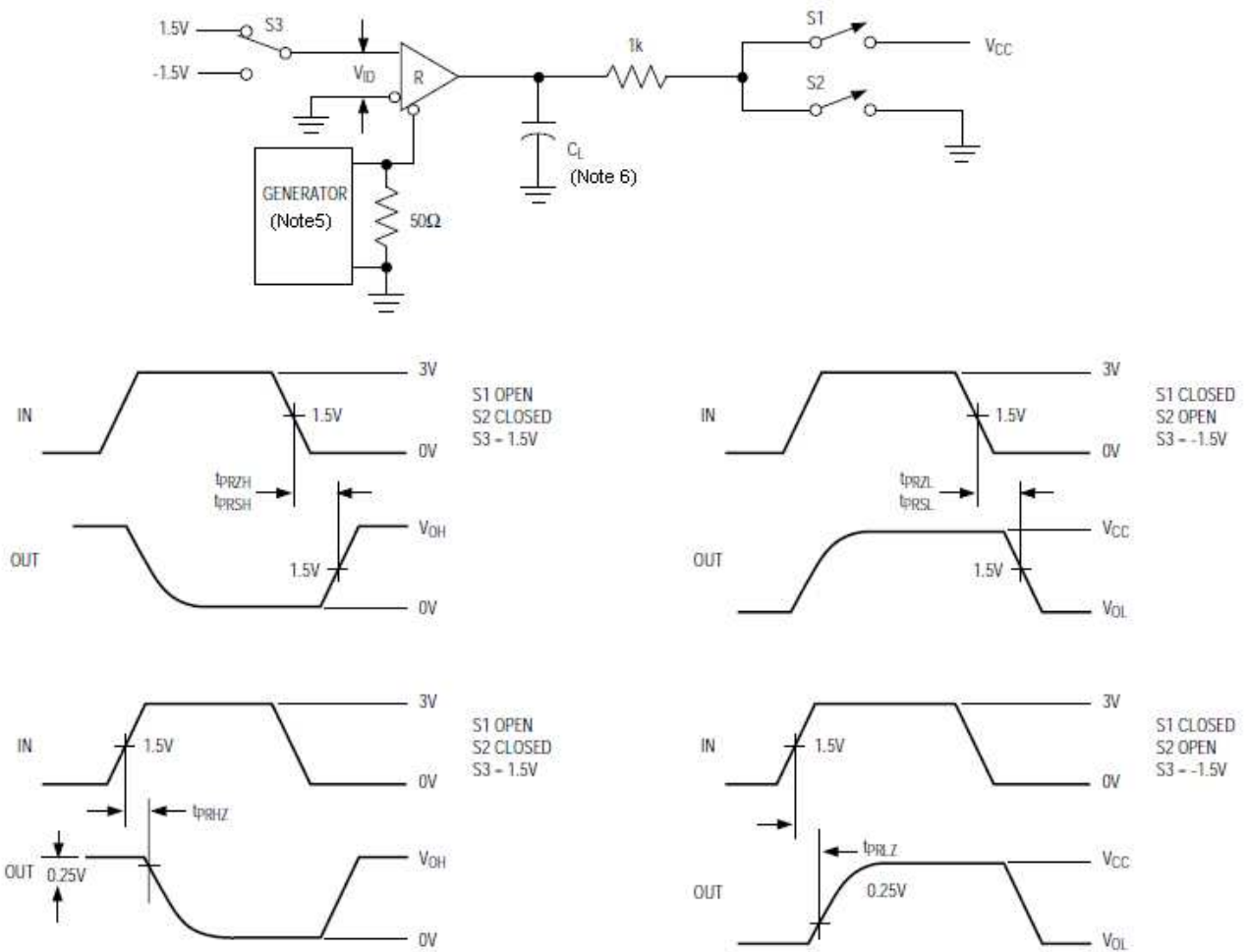


Figure 9. Receiver Enable and Disable Times

Note 5: The input pulse is supplied by a generator with the following characteristics: PRR = 250kHz, 50% duty cycle, $t_r \leq 6.0\text{ns}$, $Z_o = 50\Omega$.

Note 6: C_L includes probe and stray capacitance.

Function Tables

Transmitting				
INPUTS			OUTPUTS X	
RE	DE	DI	Z	Y
X	1	1	0	1
X	1	0	1	0
0	0	X	Z	Z
1	0	X	Z	Z

Receiving			
INPUTS			OUTPUTS
RE	DE	A-B	RO
0	0	+0.2V	1
0	0	-0.2V	0
0	0	open	1
1	0	X	Z

X-don't care
 Z-high impedance

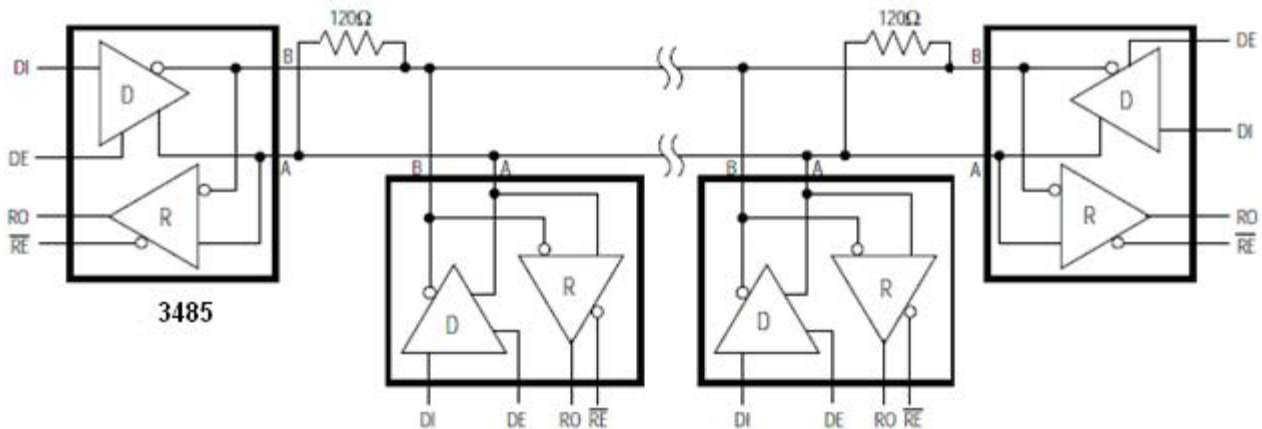
Typical Information


Figure 10. HT6506 Typical RS-485 Network

Driver Output Protection

Excessive output current and power dissipation caused by faults or by bus contention are prevented by two mechanisms. A foldback current limit on the output stage provides immediate protection against short circuits over the whole common-mode voltage range. In addition, a thermal shutdown circuit forces the driver outputs into a high-impedance state if the die temperature rises excessively.

Propagation Delay

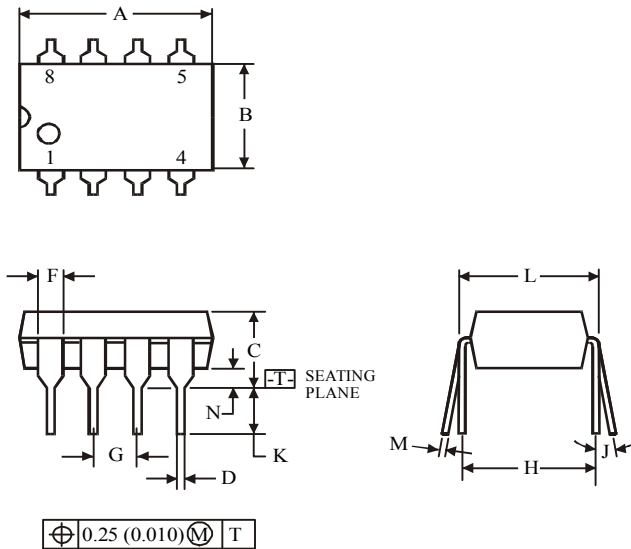
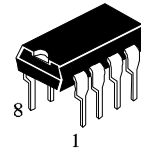
Skew time is simply the difference between the low-to-high and high-to-low propagation delay. Small driver/receiver skew times help maintain a symmetrical mark-space ratio (50% duty cycle).

The receiver skew time, $|t_{PRLH} - t_{PRHL}|$, is under 10ns. The driver skew times are 5ns for the HT6506.

Typical Applications

HT6506 transceivers are designed for bidirectional data communications on multipoint bus transmission lines. Figure 10 shows typical network applications circuits. These parts can also be used as line repeaters, with cable lengths longer than 4000 feet.

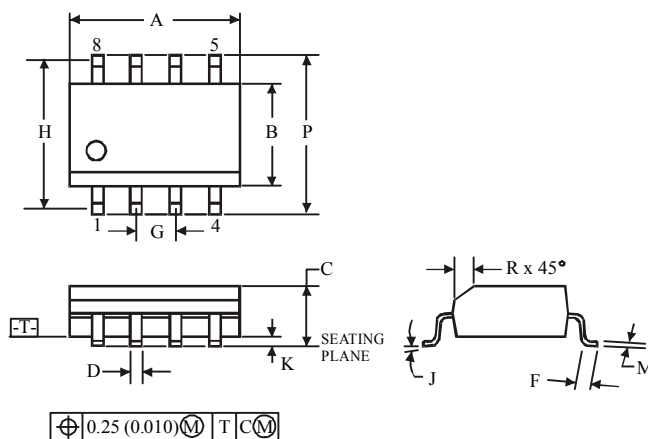
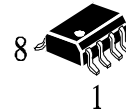
To minimize reflections, the line should be terminated at both ends in its characteristic impedance, and stub lengths off the main line should be kept as short as possible.

(DIP8)


Symbol	Dimension, mm	
	MIN	MAX
A	8.51	10.16
B	6.1	7.11
C		5.33
D	0.36	0.56
F	1.14	1.78
G	2.54	
H	7.62	
J	0°	10°
K	2.92	3.81
L	7.62	8.26
M	0.2	0.36
N	0.38	

NOTES:

- Dimensions "A", "B" do not include mold flash or protrusions.
Maximum mold flash or protrusions 0.25 mm (0.010) per side.

(SOP8)


Symbol	Dimension, mm	
	MIN	MAX
A	4.8	5
B	3.8	4
C	1.35	1.75
D	0.33	0.51
F	0.4	1.27
G	1.27	
H	5.72	
J	0°	8°
K	0.1	0.25
M	0.19	0.25
P	5.8	6.2
R	0.25	0.5

NOTES:

- Dimensions A and B do not include mold flash or protrusion.
- Maximum mold flash or protrusion 0.15 mm (0.006) per side for A; for B - 0.25 mm (0.010) per side.