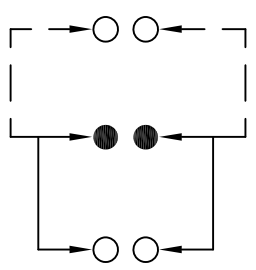


P.C.B LAYOUT
BOTTOM VIEW

SCHEMATIC (NON-SHORTING)



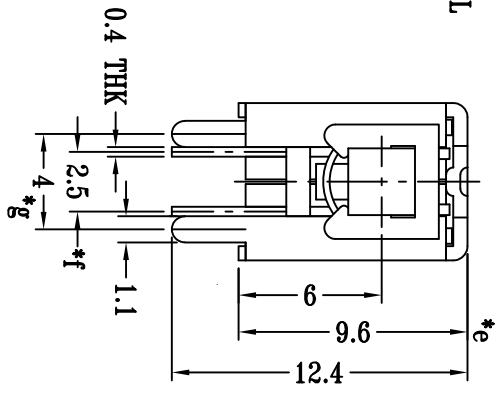
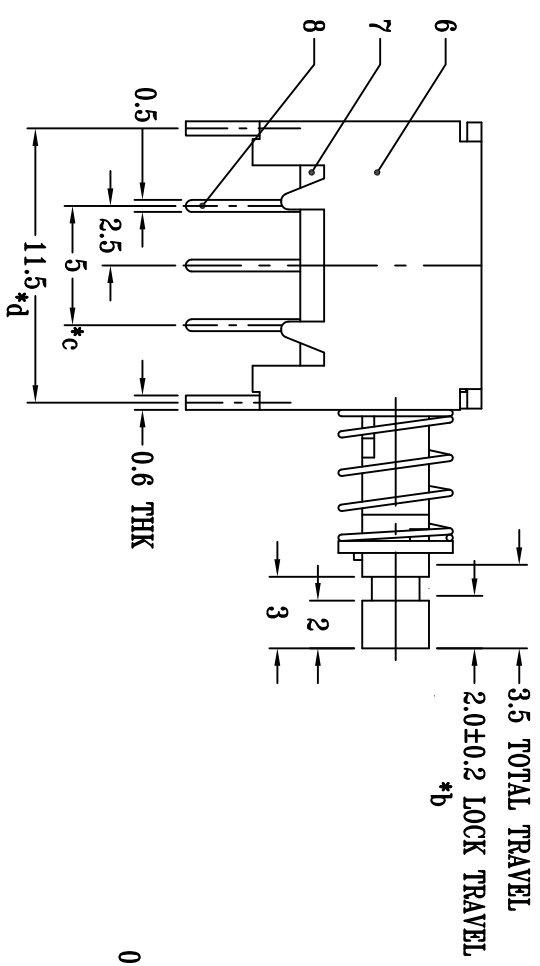
PS-22E26XX

PUSH SWITCH

G-Switch P/N

N=NO LOCK
L=LOCK

A=黑色
B=红色
C=蓝色
D=其它



G-Switch Specification:

Electrical Specifications: 0.5A 30VDC
 Contact Resistance: $\leq 100m\Omega$
 Insulation Resistance: $\geq 100M\Omega$ DC125V
 Withstand Voltage: AC125V 1 minute
 Operating Temperature: -25°C~+65°C
 Storage Humidity: $\leq 85\%RH$
 Electrical Life: 10,000
 Mechanical Life: 100,000



G-Switch Electronic (HongKong) CO.,Ltd.

Unless otherwise specified, Tolerance:

X	±0.30
X.X	±0.20
X.XX	±0.15
X.XXX	±0.10
Angles	±3

DESIGN Bright Lee DATE 2016.05.29 Mold code:

CHECKED DATE

APPROVED DATE

PS-22E26

<http://www.dg-switch.com>

TEL:0769-82388879

REV.: X1 SCALE: 4:1 UNIT: mm

SIZE: A4 SHEET: 1/1

