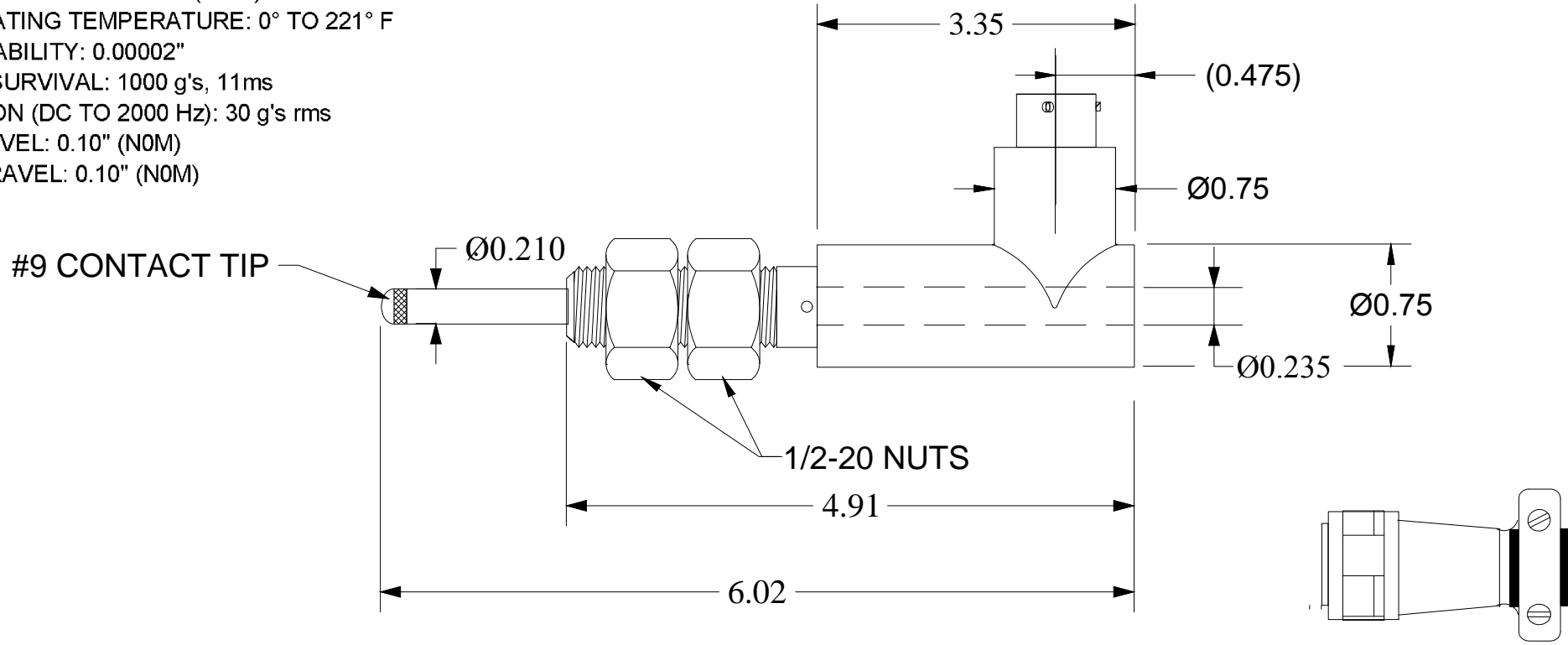


SPECIFICATIONS:

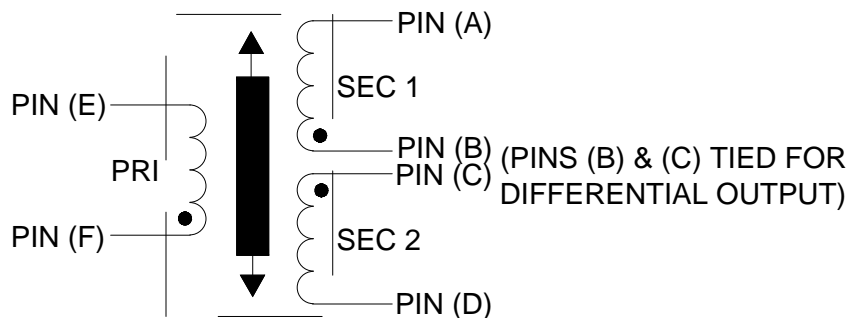
- INPUT VOLTAGE: 3.0 V rms (NOM)
- INPUT FREQUENCY: 2.5 KHz (NOM)
- ELECTRICAL STROKE: +/- 0.250"
- SENSITIVITY: 2.45 mV/VOLT/.001"
- NON-LINEARITY: 0.25 % OF FULL RANGE (MAX)
- PHASE SHIFT: -8.4°
- IMPEDANCE:
 - PRIMARY: 1400 Ω (NOM)
 - SECONDARY: 3550 Ω (NOM)
- OPERATING TEMPERATURE: 0° TO 221° F
- REPEATABILITY: 0.00002"
- SHOCK SURVIVAL: 1000 g's, 11ms
- VIBRATION (DC TO 2000 Hz): 30 g's rms
- PRE TRAVEL: 0.10" (NOM)
- OVER TRAVEL: 0.10" (NOM)

REVISIONS

REV.	DESCRIPTION	DATE:	APPR.
A	REDRAWN WITH NO CHANGES	14JUL2020	



PTO6-10-6S (SR) or equiv.
MATING CONNECTOR SUPPLIED



WIRING DIAGRAM

UNLESS OTHERWISE SPECIFIED ALL DIMENSIONS ARE IN INCHES TOLERANCES ARE: ANGLES: +/- 0.5 DEG. FRACTIONS: +/- 1/64 DECIMAL: XX= +/- .01 .XXX= +/- .005	DRAFTSMAN:	DATE:
	R.E.A.	23 MAY 00
	CHECKER:	DATE:
	APPROVED:	DATE:
This Drawing and Specifications are the property of Macro Sensors, Div. of Howard A. Schaevitz Technologies, Inc. DO NOT COPY without the written approval of Macro Sensors.	APPROVED:	DATE:
	APPROVED:	DATE:

 EVERY CONNECTION COUNTS	
TITLE GHSAR 750 250 OUTLINE	
C.A.G.E. No. A 06WW0	DRAWING No. 030911020000
SCALE: NONE	SHEET No. 1 of 1

MATERIAL: