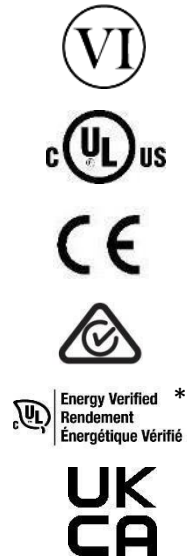




12W Interchangeable Wall Plug Adapter Series



Features

- Double Insulated
- Field Changeable AC Plugs – Sold Separately
- Limited Power Source (LPS)
- US DoE Level VI Efficiency Compliance
- Ecodesign/ErP Lot 7 (EU) 2019/1782 Compliance
- AS/NZS 4665.1:2005, AS/NZS 4665.2:2005 Compliance
- Class B EMI

Applications

- Wireless Communications
- Peripherals
- Network Equipment
- Gaming

*NRCan approval for PSAC12R-050-R, PSAC12R-090-R, PSAC12R-120-R models only



PSAC12R Specifications¹

| Model | | PSAC12R-050-R ¹ | PSAC12R-060-R | PSAC12R-075-R |
|--------------------------|---|---|-------------------------|---------------------------|
| Output | DC Output Voltage | 5.0V | 5.9V | 7.5V |
| | Max Current | 2.4A | 2.0A | 1.6A |
| | Output Power | 12.0W | 11.8W | 12.0W |
| | Regulation | ± 5% | ± 5% | ± 5% |
| | Ripple & Noise P-P(max) ² | 100mV | 100mV | 100mV |
| Input | AC Input Voltage Range | 90 to 264VAC | | |
| | AC Input Frequency | 47 to 63Hz | | |
| | Input Current | 0.5A (RMS) max for 120Vac/max load 0.25A (RMS) max for 230Vac/max load | | |
| | Inrush Current | 30A max for 120VAC, 60A max for 230VAC (Cold start at ambient 25°C, full load) | | |
| | No Load Power Consumption at 115VAC Input | ≤ 0.1W | ≤ 0.1W | ≤ 0.1W |
| | No Load Power Consumption at 230VAC Input | ≤ 0.075W | ≤ 0.075W | ≤ 0.075W |
| | 115VAC Average Efficiency ³ | ≥ 79.9% | ≥ 79.9% | ≥ 79.9% |
| | 230VAC Average Efficiency ³ | ≥ 80.3% | ≥ 80.3% | ≥ 80.3% |
| | 230VAC 10% Load Efficiency ³ | ≥ 71.0% | ≥ 71.0% | ≥ 71.0% |
| | Leakage Current | 0.25mA max | | |
| Protection | Over-Voltage | <7.5V | <8V | <10V |
| | Short Circuit | The output can be shorted without damage. Auto recover | | |
| | Over-Current | 3A max, Auto restart | 3A max, Auto restart | 2.2A max, Auto restart |
| Environmental | Operating Temperature | 0°C to +40°C | | |
| | Non-Operating Temperature | -40° to +85°C | | |
| | Operating Humidity | 50% to 90% | | |
| Safety Approvals and EMC | Dielectric Withstand (HI-POT) | Primary to Secondary: 3000VAC for 1min, 10mA | | |
| | Insulation Resistance | Primary to Secondary: >7M ohm for 500VDC | | |
| | Standards | cULus 60950-1, cULus 62368-1, IEC60950-1, IEC 62368-1, AS/NZS 62368.1:2018 | | |
| | EMI Emissions | FCC Part 15 Class B, CAN ICES-003(B)/NMB-003(B), EN 55032/CISPR 32, AS/NZS CISPR 32 Class B Conducted and Radiated | | |
| | Harmonic Current Emissions | IEC 61000-3-2 | | |
| | Voltage Fluctuations & Flicker | IEC 61000-3-3 | | |
| | Immunity | EN 55035/CISPR 35: IEC 61000-4-2 (+/- 8kV air, +/-4kV contact), IEC 61000-4-3, IEC 61000-4-4, IEC 61000-4-5 (+/- 1kV), IEC 61000-4-6, IEC 61000-4-8, IEC 61000-4-11 | | |
| Mechanical | Dimensions (L x W x H) | 71.7mm (2.82in) x 50mm (1.97in) x 33.25mm (1.31in) | | |
| | Weight | 112g | | |
| | DC Cord Length | 1500mm | | |
| | DC Cable Type | 20 AWG | 20 AWG | 22 AWG |
| | DC Output Connector | 5.5mm x 2.1mm x 10mm center positive | | |

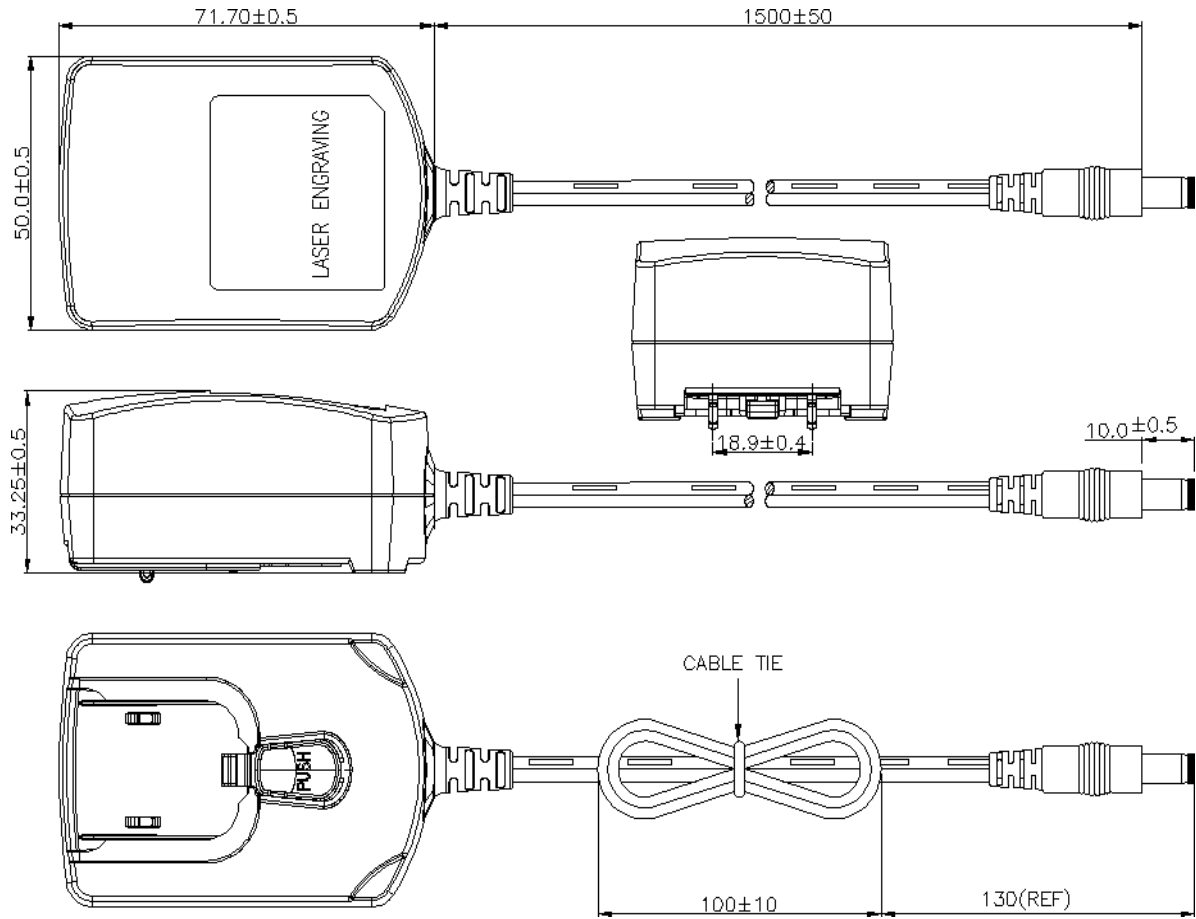
| Model | | PSAC12R-090-R* | PSAC12R-120-R* | PSAC12R-150-R |
|--------------------------|---|---|---------------------------|---------------------------|
| Output | DC Output Voltage | 9.0V | 12.0V | 15.0V |
| | Max Current | 1.33A | 1.0A | 0.8A |
| | Output Power | 11.97W | 12.0W | 12.0W |
| | Regulation | ± 5% | ± 5% | ± 5% |
| | Ripple & Noise P-P(max) ² | 120mV | 120mV | 150mV |
| Input | AC Input Voltage Range | 90 to 264VAC | | |
| | AC Input Frequency | 47 to 63Hz | | |
| | Input Current | 0.5A (RMS) max for 120Vac/max load 0.25A (RMS) max for 230Vac/max load | | |
| | Inrush Current | 30A max for 120VAC, 60A max for 230VAC (Cold start at ambient 25°C, full load) | | |
| | No Load Power Consumption at 115VAC Input | ≤ 0.1W | ≤ 0.1W | ≤ 0.1W |
| | No Load Power Consumption at 230VAC Input | ≤ 0.075 W | ≤ 0.075 W | ≤ 0.075 W |
| | 115VAC Average Efficiency ³ | ≥ 82.9% | ≥ 83.0% | ≥ 83.0% |
| | 230VAC Average Efficiency ³ | ≥ 83.2% | ≥ 83.3% | ≥ 83.3% |
| | 230VAC 10% Load Efficiency ³ | ≥ 73.2% | ≥ 73.3% | ≥ 73.3% |
| | Leakage Current | 0.25mA max | | |
| Protection | Over-Voltage | <12V | <16V | <22V |
| | Short Circuit | The output can be shorted without damage. Auto-recover | | |
| | Over-Current | 1.8A max, Auto restart | 1.5A max, Auto restart | 1.5A max, Auto restart |
| Environmental | Operating Temperature | 0°C to +40°C | | |
| | Non-Operating Temperature | -40° to +85°C | | |
| | Operating Humidity | 50% to 90% | | |
| Safety Approvals and EMC | Dielectric Withstand (HI-POT) | Primary to Secondary: 3000VAC for 1min, 10mA | | |
| | Insulation Resistance | Primary to Secondary: >7M ohm for 500VDC | | |
| | Standards | cULus 60950-1, cULus 62368-1, IEC60950-1, IEC 62368-1, AS/NZS 62368.1:2018 | | |
| | EMI Emissions | FCC Part 15 Class B, CAN ICES-003(B)/NMB-003(B), EN 55032/CISPR 32, AS/NZS CISPR 32 Class B Conducted and Radiated | | |
| | Harmonic Current Emissions | IEC 61000-3-2 | | |
| | Voltage Fluctuations & Flicker | IEC 61000-3-3 | | |
| | Immunity | EN 55035/CISPR 35: IEC 61000-4-2 (+/- 8kV air, +/-4kV contact), IEC 61000-4-3, IEC 61000-4-4, IEC 61000-4-5 (+/- 1kV), IEC 61000-4-6, IEC 61000-4-8, IEC 61000-4-11 | | |
| Mechanical | Dimensions (L x W x H) | 71.7mm (2.82in) x 50mm (1.97in) x 33.25mm (1.31in) | | |
| | Weight | 112g | | |
| | DC Cord Length | 1500mm | | |
| | DC Cable Type | 22 AWG | 20 AWG | 22 AWG |
| | DC Output Connector | 5.5mm x 2.1mm x 10mm center positive | | |

| | Model | PSAC12R-240-R | PSAC12-480-R |
|---------------------------------|---|---|---------------------------|
| Output | DC Output Voltage | 24.0V | 48.0V |
| | Max Current | 0.5A | 0.25A |
| | Output Power | 12.0W | 12.0W |
| | Regulation | ± 5% | ± 5% |
| | Ripple & Noise P-P(max)² | 240mV | 400mV |
| Input | AC Input Voltage Range | 90 to 264VAC | |
| | AC Input Frequency | 47 to 63Hz | |
| | Input Current | 0.5A (RMS) max for 120Vac/max load 0.25A (RMS) max for 230Vac/max load | |
| | Inrush Current | 30A max for 120VAC, 60A max for 230VAC (Cold start at ambient 25°C, full load) | |
| | No Load Power Consumption at 115VAC Input | ≤ 0.1W | ≤ 0.1W |
| | No Load Power Consumption at 230VAC Input | ≤ 0.075 W | ≤ 0.075 W |
| | 115VAC Average Efficiency³ | ≥ 83.0% | ≥ 83.0% |
| | 230VAC Average Efficiency³ | ≥ 83.3% | ≥ 83.3% |
| | 230VAC 10% Load Efficiency³ | ≥ 73.3% | ≥ 73.3% |
| | Leakage Current | 0.25mA max | |
| Protection | Over-Voltage | <35V | <60V |
| | Short Circuit | The output can be shorted without damage. Auto recover | |
| | Over-Current | 0.8A max, Auto restart | 0.5A max, Auto restart |
| Environmental | Operating Temperature | 0°C to +40°C | |
| | Non-Operating Temperature | -40° to +85°C | |
| | Operating Humidity | 50% to 90% | |
| Safety Approvals and EMC | Dielectric Withstand (HI-POT) | Primary to Secondary: 3000VAC for 1min, 10mA | |
| | Insulation Resistance | Primary to Secondary: >7M ohm for 500VDC | |
| | Standards | cULus 60950-1, cULus 62368-1, IEC60950-1, IEC 62368-1, AS/NZS 62368.1:2018 | |
| | EMI Emissions | FCC Part 15 Class B, CAN ICES-003(B)/NMB-003(B), EN 55032/CISPR 32, AS/NZS CISPR 32 Class B Conducted and Radiated | |
| | Harmonic Current Emissions | IEC 61000-3-2 | |
| | Voltage Fluctuations & Flicker | IEC 61000-3-3 | |
| | Immunity | EN 55035/CISPR 35: IEC 61000-4-2 (+/- 8kV air, +/-4kV contact), IEC 61000-4-3, IEC 61000-4-4, IEC 61000-4-5 (+/- 1kV), IEC 61000-4-6, IEC 61000-4-8, IEC 61000-4-11 | |
| Mechanical | Dimensions (L x W x H) | 71.7mm (2.82in) x 50mm (1.97in) x 33.25mm (1.31in) | |
| | Weight | 112g | |
| | DC Cord Length | 1500mm | |
| | DC Cable Type | 26 AWG | 26 AWG |
| | DC Output Connector | 5.5mm x 2.1mm x 10mm center positive | |
| Notes | <ol style="list-style-type: none"> The specifications defined are at ambient temperature of 25°C, unless otherwise specified. 20MHz bandwidth frequency oscilloscope, add a 0.1µF multilayer Cap. and Low ESR Electrolytic Cap. (10µF) at output connector terminals (nominal line voltage, full load). Efficiency is measured after 30 minutes burn-in. | | |

*NRCan approval for PSAC12R-050-R, PSAC12R-090-R, PSAC12R-120-R models only



PSAC12R Outline Drawing





Supplier's Declaration of Conformity
47 CFR § 2.1077 Compliance Information


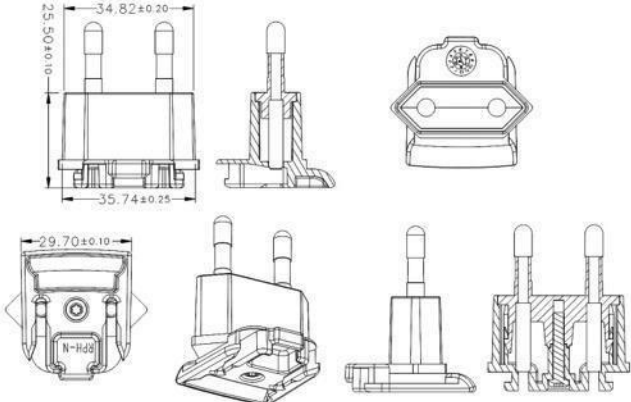

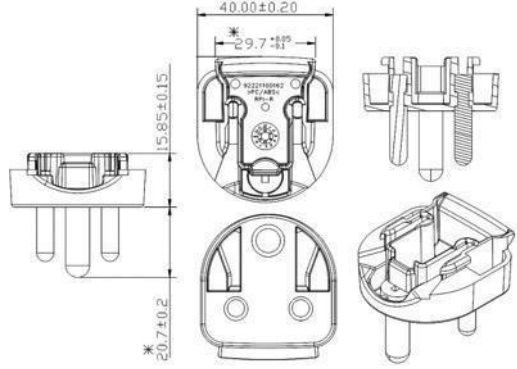

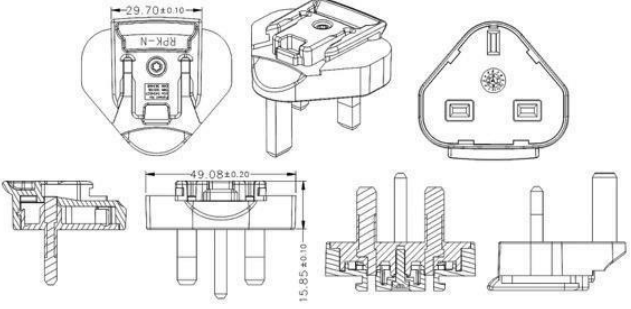

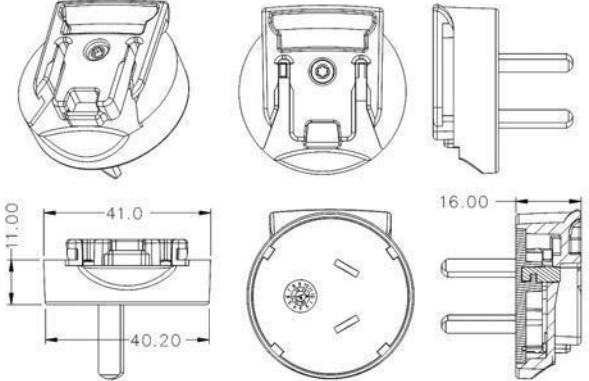
Phihong USA Corporation
47800 Fremont Boulevard
Fremont, CA 94538
Telephone: (510) 445-0100
www.phihong.com


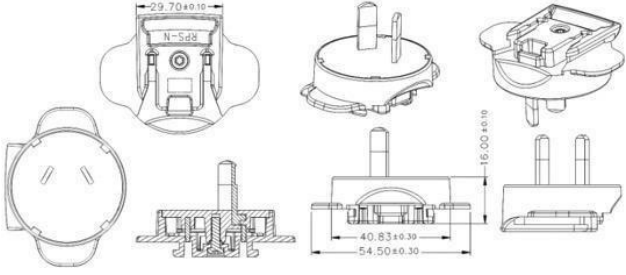

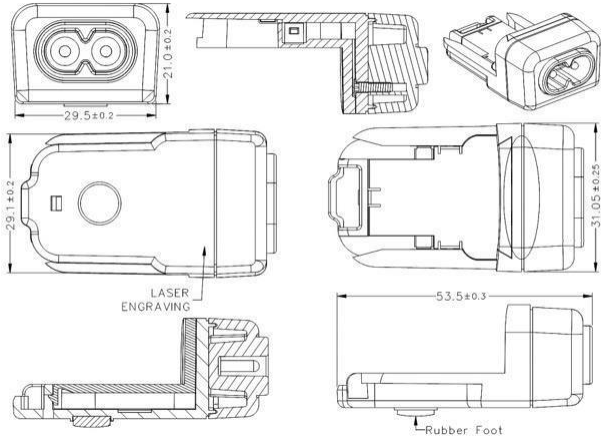

This device complies with/The devices in this product series comply with part 15 of the FCC Rules. Operation is subject to the following two conditions: (1) This device may not cause harmful interference, and (2) this device must accept any interference received, including interference that may cause undesired operation.



AC Input Clips – Sold Separately

| Model | Photo | Description | Outline Drawing - mm |
|-------------|-------|-------------|----------------------|
| RPA-AB01B-H | | US Clip | |
| RPB-AB01B-H | | Brazil Clip | |
| RPC-AB01B-H | | China Clip | |
| RPE-AB01B-H | | Europe Clip | |

| Model | Photo | Description | Outline Drawing - mm |
|-------------|---|----------------|--|
| RPH-AB01B-H |  | Korea Clip |  |
| RPI-AB01B-H |  | India Clip |  |
| RPK-AB01B-H |  | UK Clip |  |
| RPN-AB01B-H |  | Argentina Clip |  |

| Model | Photo | Description | Outline Drawing - mm |
|--|---|----------------|---|
| RPS-AB01B-H |  | Australia Clip |  |
| RPX-03-R (Approved for use with 5V, 5.9V, 7V, and 9V output models) |  | C8 Clip |  |
| RPBAG-AB01B-H | <p>RPA-AB01B-H, RPE-AB01B-H, RPK-AB01B-H and RPS-AB01B-H interchangeable clips in a plastic bag.</p>  | | |