

# DC Tubular Solenoid



## Model T4x12

### Features:

- High performance construction
- Available return spring kit
- DC solenoid applications only
- See TP4x12 for push application
- UL recognized



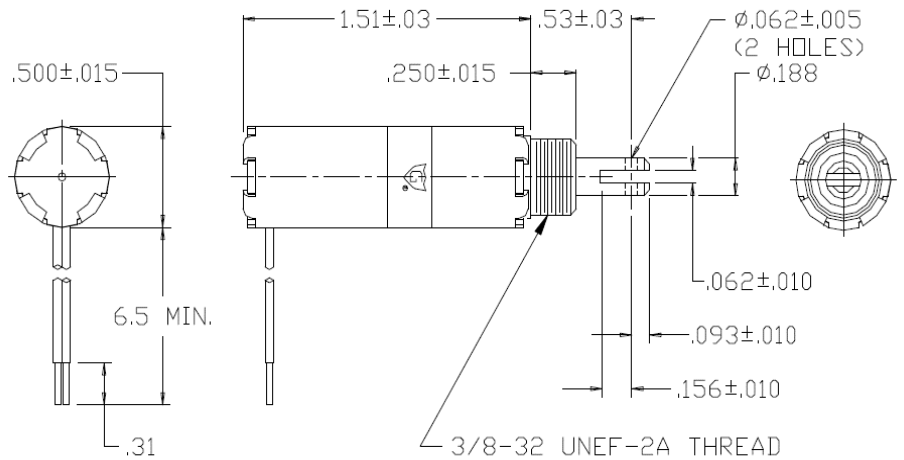
### Electrical:

- Coil Voltages: 6, 12, 24, 48, 110VDC standard
- Coil Termination: 6.5" Wire leads  
26 AWG (standard)
- Duty Cycle: 100% Continuous, 25% Intermittent,  
10% Intermittent, 1% Pulse
- Coil treatment: Tape Wrapped
- Insulation Class: Class A Rating - 105°C (221°F)
- Dielectric Strength: 1500V 60 Hz

### Mechanical:

- Size: 1.5" (L) x 0.5" (D)
- Plunger Diameter: 0.187
- Plunger Guide Material: Plastic
- Mounting: Hex Nut
- Weight: Plunger 0.3 oz, Total 1 oz
- Life Expectancy: 1 Million Cycles<sup>1</sup>

<sup>1</sup> - Dependent on load conditions



Solenoid shown energized with plunger fully seated  
Supplied with mounting bracket, hex nut and lock washer shipped loose

### Standard Part Numbers

| Model       | Part Number    | Duty Cycle | Voltage | Resistance <sup>2</sup> (Ω) | Power (W) | Current |
|-------------|----------------|------------|---------|-----------------------------|-----------|---------|
| T4X12-C-12D | A420-066011-00 | Cont.      | 12VDC   | 49.8                        | 3         | 241 mA  |
| T4X12-I-12D | A420-066012-00 | Inter.     | 12VDC   | 24.7                        | 6.1       | 486 mA  |
| T4X12-C-24D | A420-066013-00 | Cont.      | 24VDC   | 49.8                        | 3         | 241 mA  |
| T4X12-I-24D | A420-066014-00 | Inter.     | 24VDC   | 96.7                        | 6.3       | 248 mA  |

<sup>2</sup> - Coil resistance tolerance +/- 5%

Contact us for custom voltages or duty cycles

### Available Customization:

- Plunger
  - Lead and Connector
  - DC Voltage
  - Duty Cycle
  - Insulation systems up to class H 180° C (356° F)
- \* Minimum quantities apply

| Stroke (in.)                  | Typical Pull Force Ounces [N] @ 20°C (68°F)<br>(Distance from fully seated position) |            |           |         |           |           | HOLDING FORCE Ounces [N] | Power (W) |
|-------------------------------|--|------------|-----------|---------|-----------|-----------|--------------------------|-----------|
|                               | 0.050  | 0.125      | 0.250     | 0.375   | 0.500     | 0.625     |                          |           |
| Continuous 100%               | 4 [1.1]  | 2 [0.6]    | 1 [0.3]   | N/A     | N/A       | N/A       | 22 [6.1]                 | 3         |
| Intermittent 25%              | 7 [1.9]  | 3 [0.8]    | 1 [0.3]   | N/A     | N/A       | N/A       | 25 [7]                   | 6.2       |
| Intermittent 10% <sup>3</sup> | 12.5 [3.5]   | 7.5 [2.1]  | 5 [1.4]   | 3.5 [1] | 1.5 [0.4] | N/A       | 43 [12]                  | 22.5      |
| Pulse 1% <sup>3</sup>         | 18.5 [5.1]   | 12.5 [3.5] | 8.5 [2.4] | 6 [1.7] | 3.5 [1]   | 1.5 [0.4] | N/A                      | 70        |

Continuous Duty 100% = 100% On Time  
Intermittent Duty 25% = 25% On Time (100 Sec On Max 300 Sec off)  
Intermittent Duty 10% = 90% On Time (10 Sec On Max 90 Sec off)  
Pulse Duty 1% = 99% On Time (1 Sec On Max 99 Sec off)

<sup>3</sup> - Calculated force values to be verified in application

Optional Return Spring Kit

A490-367460-06



**GUARDIAN-ELECTRIC.COM**

1425 Lake Ave - Woodstock IL 60098 - Phone: 800-762-0369

The information is subject to change without notice. © Guardian Electric

