

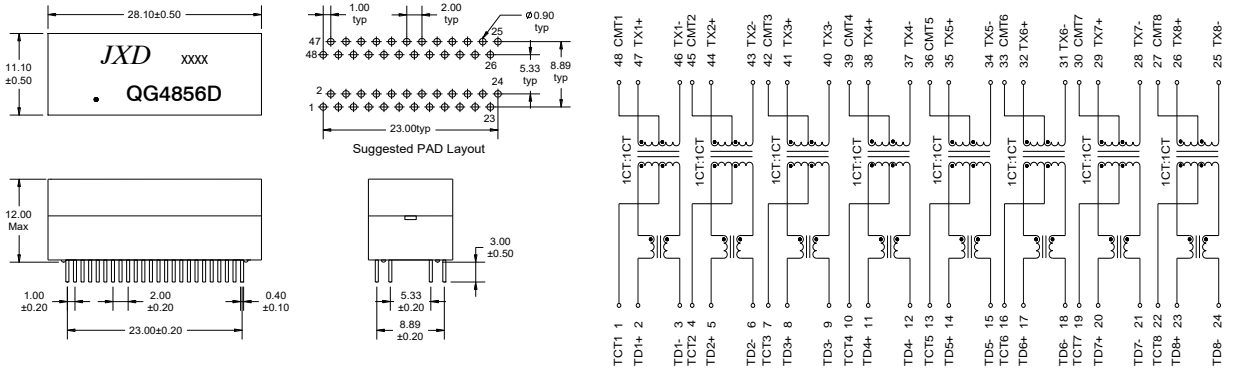
# QG4856D

## 2.5G/5G Double Port Transformer Module

1. Designed for long haul 2.5G/5G Double Port Transformer Module
2. Supports four pairs of category 5 UTP cable, Cable interface for isolation and low common mode emissions.
3. Low profile Surface Mount Packaging designed for Hi-Temp Reflow Process
4. Compliant with IEEE 802.3bz standard for 2.5G/5G Base-Z, Designed to support 1:1 Turns Ratio Transceivers.



### DIMENSIONS & SCHEMATICS

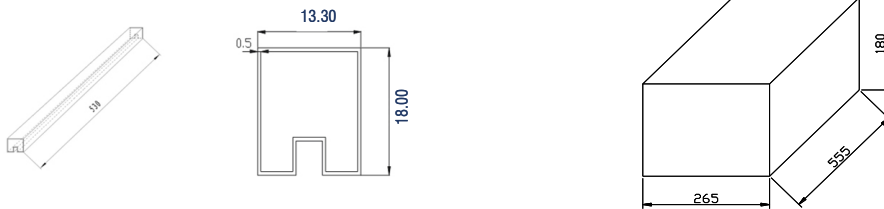


Note: 1. Dimension: mm; 2. Unless otherwise specified, tolerances are: ± 0.15mm

### TECHNICAL SPECIFICATIONS

OCL :	180 $\mu$ H Min. @ 100 KHz, 100mV with 8mA DC Bias
Leakage Inductance:	0.5 $\mu$ H Max. @ 100KHz, 0.1V
Cw/w:	35 pF Max. @ 100KHz, 0.1V
DCR:	1.00 $\Omega$ Max
Turns Ratio ( $\pm$ 5%):	1CT:1(TX), 1CT:1(RX)
Insertion Loss:	-1.0 dB Max. @ 1-100MHz -2.0dB Max. @ 100-250MHz
Return Loss:	-16 dB Min @ 1 $\leq$ f $\leq$ 40 MHz -16+10log(f/40) dB Min @ 40 < f $\leq$ 250 MHz
Cross Talk:	-30dB Typ @ 1-250MHz
Common Mode Rejection :	-30dB Typ @ 1-250MHz
Isolation HI-POT:	1500Vrms 1mA 60S
Operating Temperature range:	-40 ~ +85°C
Storage temperature range:	-40 ~ +125°C

### PACKING SPECIFICATION



- 1.units/reel:18PCS
- 2 .reel/carton:90PCS
- 3.units/carton :1620PCS

Shenzhen magnetic Lianda Electronics Co., LTD

Address: 505, West Block, No. 221, Niucheng Road, Niucheng Village, Baiwang Community, Xili Street, Nanshan District, Shenzhen  
E-mail: sales1@cd-tek.com 0755-27652992 29016433 Website:www.cd-tek.com