



MEAS | MEAS M3200

TE Internal #: 20010080-00

Industrial Pressure Transducer, Gauge, 4 – 20 mA Output Signal

Type, 2X Rated Proof Pressure Range, MEAS M3200

[View on TE.com >](#)

Sensors > Pressure Sensors > Pressure Transducers > Compact Industrial Pressure Transducer



Pressure Sensor Type: **Industrial Pressure Transducer**

Pressure: **7 bar [ 100 psi ]**

Pressure Type: **Gauge**

Supply Voltage Range: **9 – 30 V**

Output Signal Type: **4 – 20 mA**

[All Compact Industrial Pressure Transducer \(41\)](#)

## Features

### Product Type Features

Pressure Sensor Type	Industrial Pressure Transducer
Pressure Type	Gauge

### Configuration Features

Electrical Connection	Cable 1 m
-----------------------	-----------

### Electrical Characteristics

Supply Voltage Range	9 – 30 V
----------------------	----------

### Dimensions

Hex Width Across Flats	22.2 mm[.875 in]
Product Height	56.64 mm[2.23 in]

### Usage Conditions

Pressure	7 bar[100 psi]
Operating Temperature Range	-40 – 105 °C[-40 – 221 °F]

### Operation/Application

Output Signal Type	4 – 20 mA
Proof Pressure Range	2X Rated
Pressure Accuracy	±0.25% FSO



Other

Sensor Options	Adhesive Label, No Snubber
Port Fitting	1/4-18 NPT

Product Compliance

[For compliance documentation, visit the product page on TE.com>](#)

EU RoHS Directive 2011/65/EU	Compliant with Exemptions
EU ELV Directive 2000/53/EC	Compliant with Exemptions
China RoHS 2 Directive MIIT Order No 32, 2016	Restricted Materials Above Threshold
EU REACH Regulation (EC) No. 1907/2006	Current ECHA Candidate List: JUNE 2024 (241) Candidate List Declared Against: JUN 2020 (209) SVHC > Threshold: Dodecamethylcyclohexasiloxane (D6) (.85% in component) <b>Article Safe Usage Statements:</b> Wash thoroughly after handling. Recycle if possible and dispose of the article by following all applicable governmental regulations relevant to your geographic location.
Halogen Content	Not Yet Reviewed for halogen content
Solder Process Capability	Not reviewed for solder process capability

Product Compliance Disclaimer

This information is provided based on reasonable inquiry of our suppliers and represents our current actual knowledge based on the information they provided. This information is subject to change. The part numbers that TE has identified as EU RoHS compliant have a maximum concentration of 0.1% by weight in homogenous materials for lead, hexavalent chromium, mercury, PBB, PBDE, DBP, BBP, DEHP, DIBP, and 0.01% for cadmium, or qualify for an exemption to these limits as defined in the Annexes of Directive 2011/65/EU (RoHS2). Finished electrical and electronic equipment products will be CE marked as required by Directive 2011/65/EU. Components may not be CE marked. Additionally, the part numbers that TE has identified as EU ELV compliant have a maximum concentration of 0.1% by weight in homogenous materials for lead, hexavalent chromium, and mercury, and 0.01% for cadmium, or qualify for an exemption to these limits as defined in the Annexes of Directive 2000/53/EC (ELV). Regarding the REACH Regulation, the information TE provides on SVHC in articles for this part number is based on the latest European Chemicals Agency (ECHA) 'Guidance on requirements for substances in articles' posted at this URL: <https://echa.europa.eu/guidance-documents/guidance-on-reach>

Compatible Parts

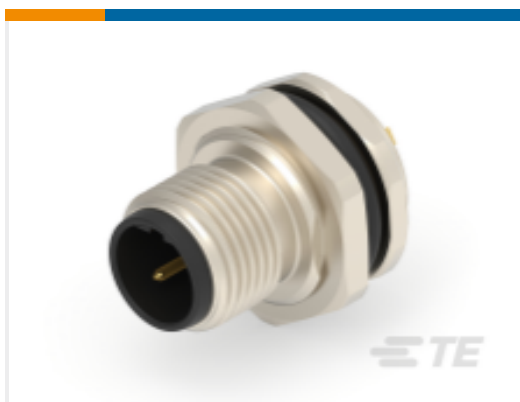


## Also in the Series | MEAS M3200

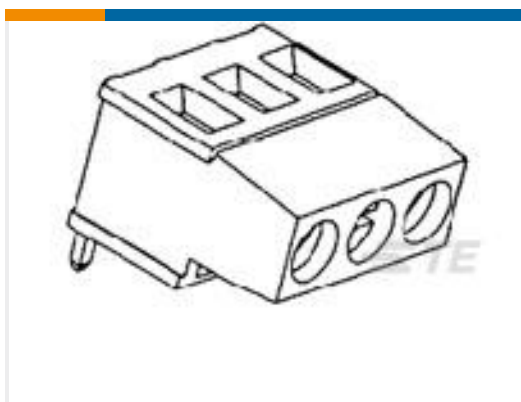


Pressure Transducers(41)

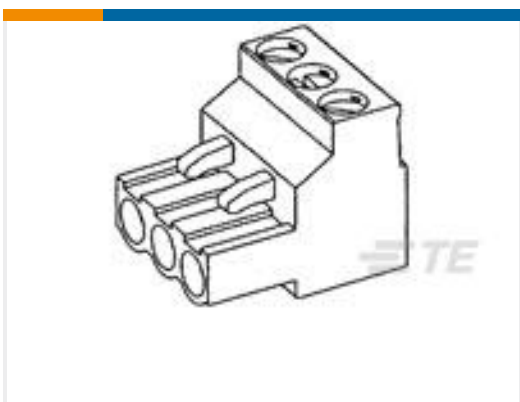
## Customers Also Bought



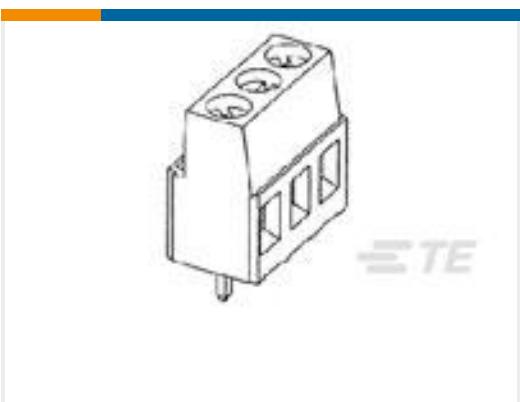
TE Part #T4130412021-000  
M12, REAR MOUNT, MALE, B, 2P,  
SOLDER WIRE



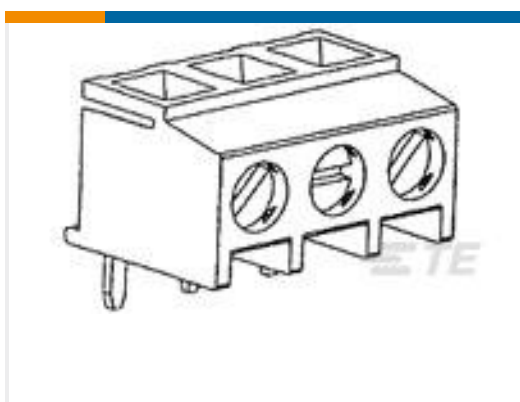
TE Part #1546073-4  
4 POS 5.08MM TERMI-BLOK



TE Part #796635-2  
2 POS 5.08MM R/A PLUG, TRM BLK



TE Part #796949-5  
5 POS TERMI-BLOK PCB MOUNT



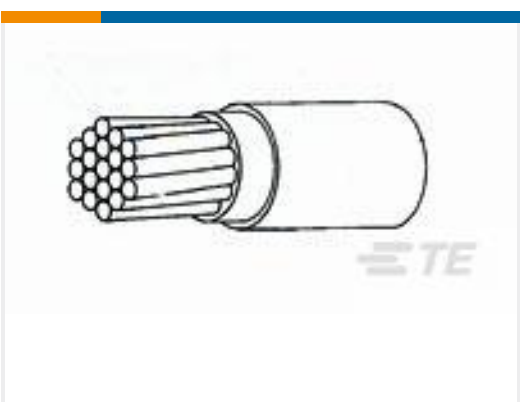
TE Part #284094-2  
TERMI-BLOK PCB MOUNT 90, 5,08M



TE Part #11033273-00  
PRESS XDCR U5254-000002-.14BG



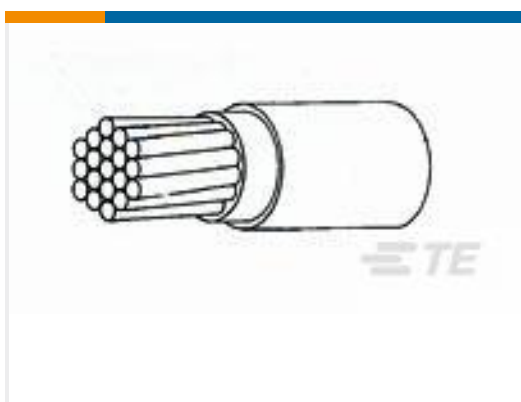
TE Part #2118651-8  
RF CA, UMCC GEN1-GEN1, 1.13MM  
CABLE, L200MM



TE Part #282237-000  
44A0111-14-1



TE Part #L9000132-01  
Antenna Hinged Whip IP67 8/9 LPWA  
SMA



TE Part #318872-003  
44A0111-10-5

## Documents

[CAD Files](#)

[3D PDF](#)

[3D](#)

[Customer View Model](#)

[ENG\\_CVM\\_CVM\\_20010080-00\\_H.2d\\_dxf.zip](#)

[English](#)



### Customer View Model

[ENG\\_CVM\\_CVM\\_20010080-00\\_H.3d\\_igs.zip](#)

English

### Customer View Model

[ENG\\_CVM\\_CVM\\_20010080-00\\_H.3d\\_stp.zip](#)

English

By downloading the CAD file I accept and agree to the [Terms and Conditions](#) of use.

## Datasheets & Catalog Pages

[M3200 Pressure Transducer](#)

English