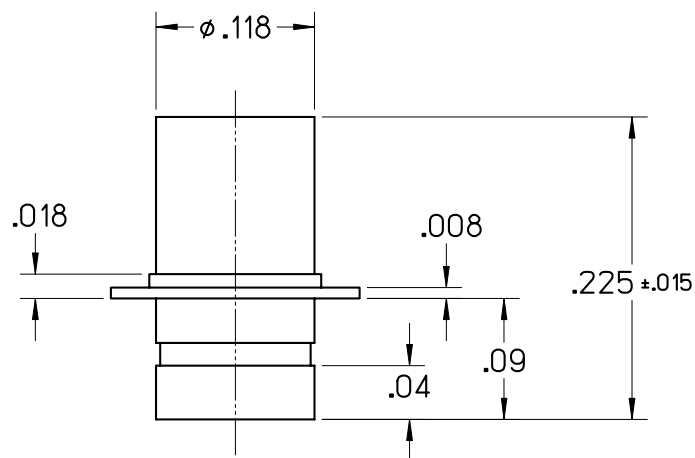
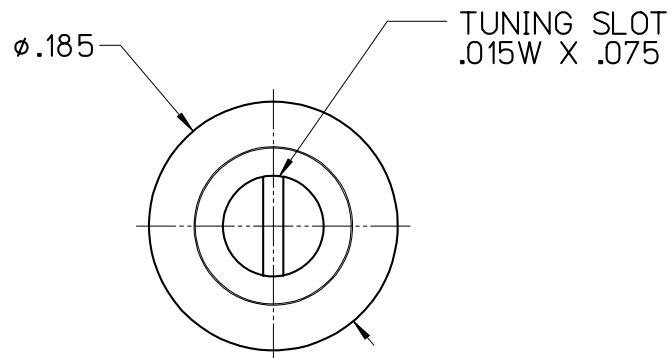


27285

F

TRIMMER CAPACITOR (GIGA-TRIM[®])



SPECIFICATIONS		FILE: AIROUT
CAPACITY RANGE	0.4pF TO 2.5pF (>4 TURNS)	
WORKING VOLTAGE	500 VDC (1000 VDC TEST)	
Q @250 MHz	>4000	
INSULATION RESISTANCE	>10 ⁶ MEGOHMS	
TEMPERATURE RANGE	-65°C TO +125°C	
TORQUE	0.2 TO 2.0 OZ. IN	
ROTATIONAL LIFE	50 CYCLES (400 REVOLUTIONS)	
VIBRATION	15G @10-2000 Hz	
SHOCK	100G @6 ms	
MOISTURE RESISTANCE	10-24 HR. CYCLE	
BRASS & INVAR STRUCTURE		
SAPPHIRE DIELECTRIC		
FINISHES: GOLD AND SILVER PLATE		
ACTUAL SIZE		

F	10/26/06	MLD	MAI	MAI	000442
E	02/25/00	-	-	-	000-077
LEVEL	DATE	DRN.	CHK.	APP.	ECN

REVISIONS

DRN.	CHK.	APP.	SCALE
RMV	TAM	JHT	7" = 1"
DATE	DATE	DATE	.XX ± .015
02/25/00	03/07/00	03/08/00	.XXX ± .005



JOHANSON MANUFACTURING CORPORATION
 ROCKAWAY VALLEY ROAD, BOONTON, N.J. 07005 (973)334-2676 FAX (973)334-2954
 ELECTRONIC ACCURACY THROUGH MECHANICAL PRECISION